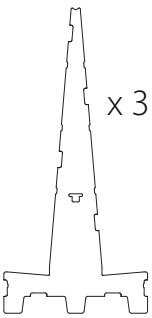
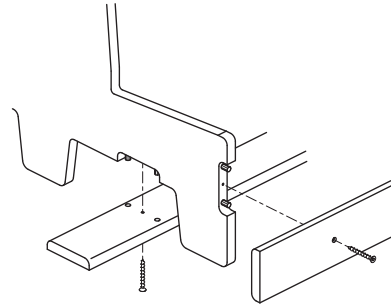
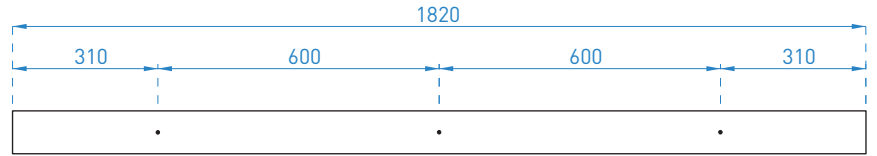
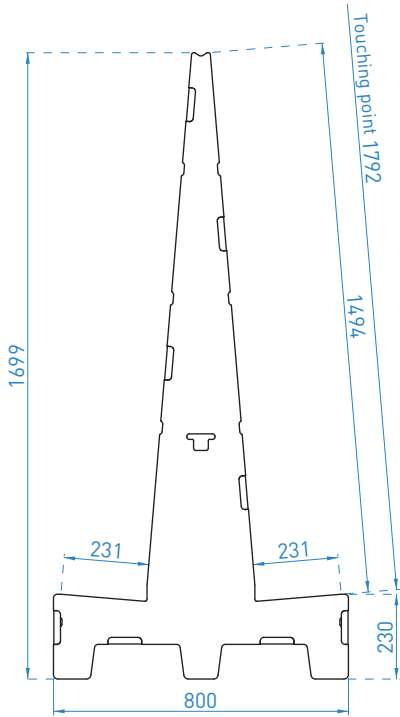


## Assembly Guidelines

**SR80.180/ 3 Uprights**

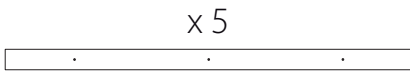
**SR80.180/ 4 Uprights**

**SR80.180/ 6 Uprights**

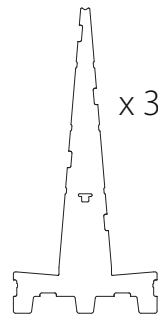


**LIMITED USE**

WEIGHT: 24 KG

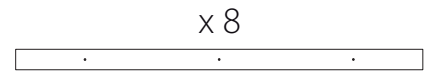


Torx 20  
⊕ x 15

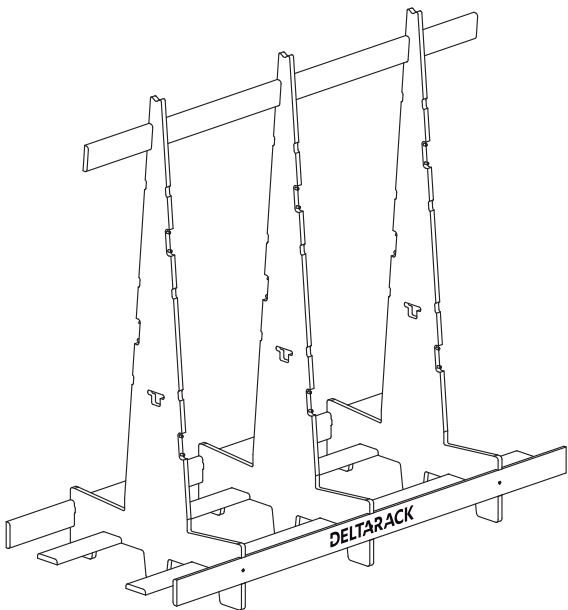


**EXTENSIVE USE**

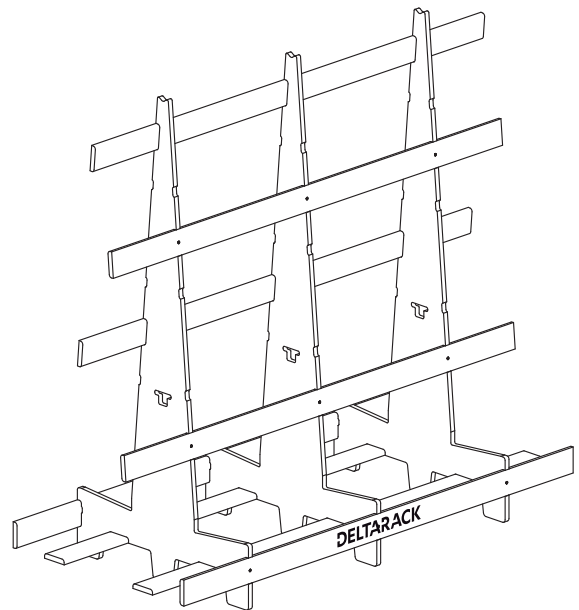
WEIGHT: 30 KG



Torx 20  
⊕ x 24

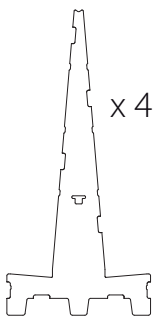
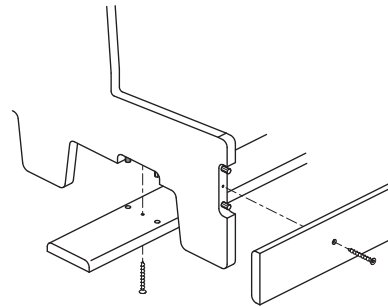
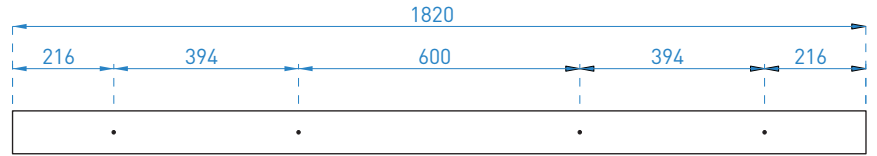
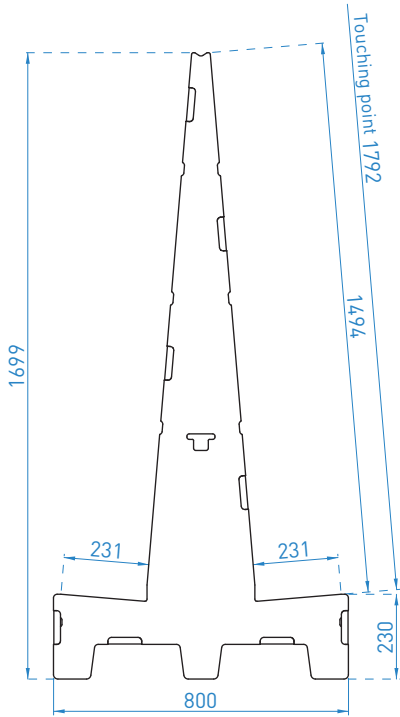


**SR80.5.180 / 3 uprights**



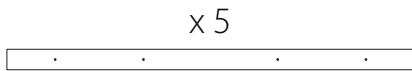
**SG80.7.180 / 3 uprights**

(\*) Load needs to be equally distributed over all vertical uprights of the rack

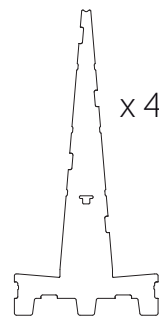


**LIMITED USE**

WEIGHT: 29 KG

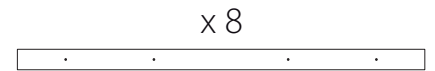


Torx 20  
⊕  x 20

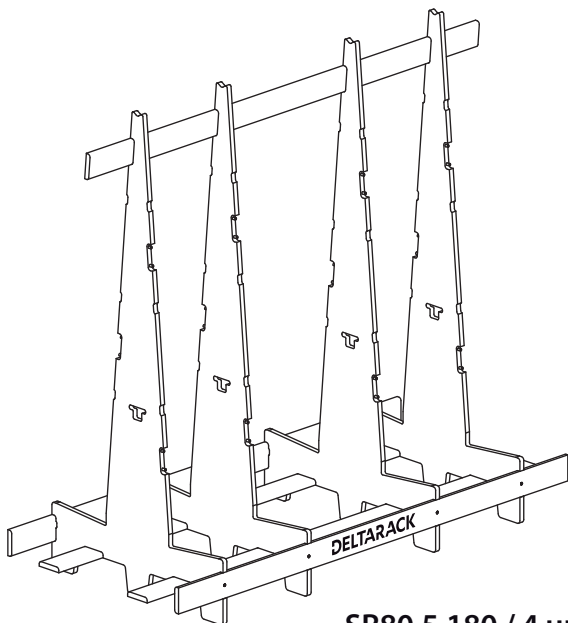


**EXTENSIVE USE**

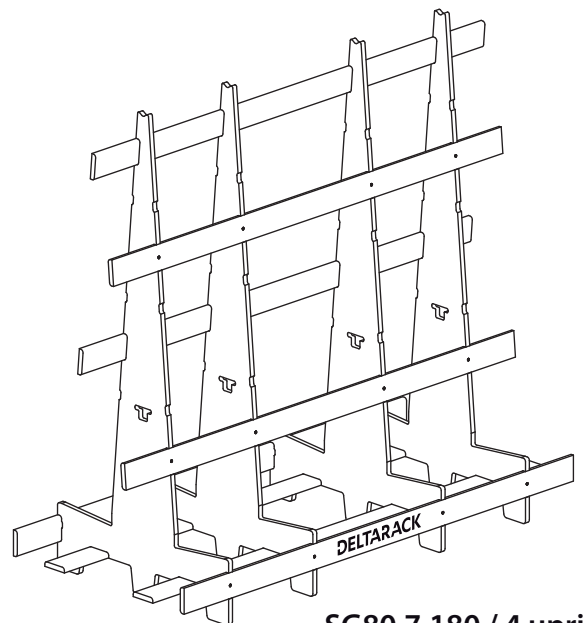
WEIGHT: 35 KG



Torx 20  
⊕  x 32

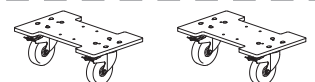


**SR80.5.180 / 4 uprights**

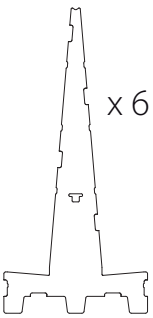
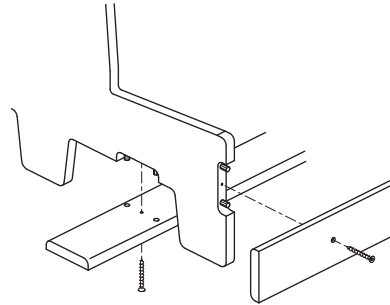
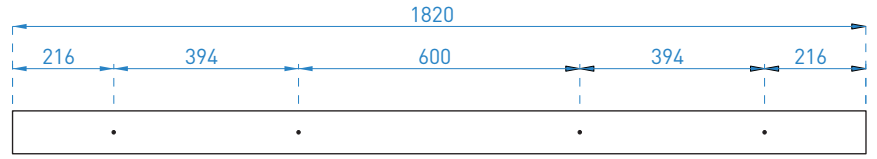
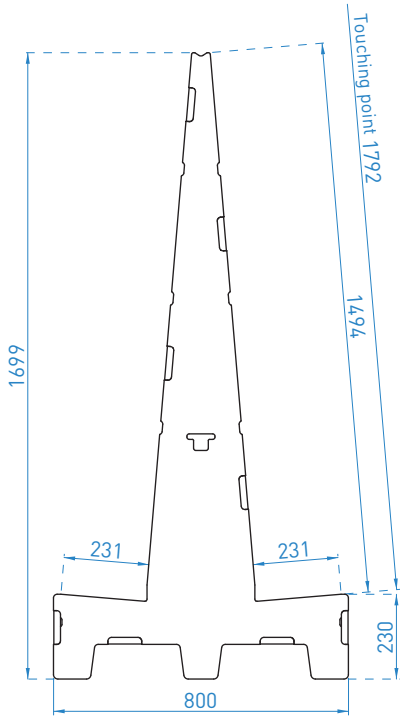


**SG80.7.180 / 4 uprights**

Optional  
Wheelboard kit: WB80.40

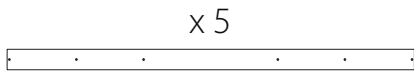


(\*) Load needs to be equally distributed over all vertical uprights of the rack

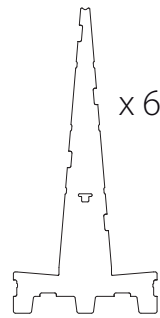


**LIMITED USE**

WEIGHT: 39 KG

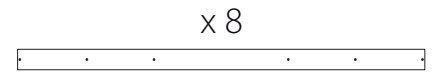


Torx 20  
⊕ x 30

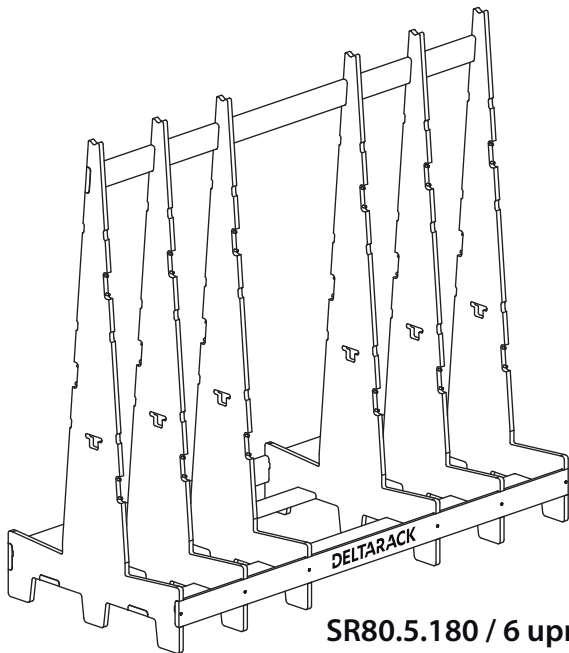


**EXTENSIVE USE**

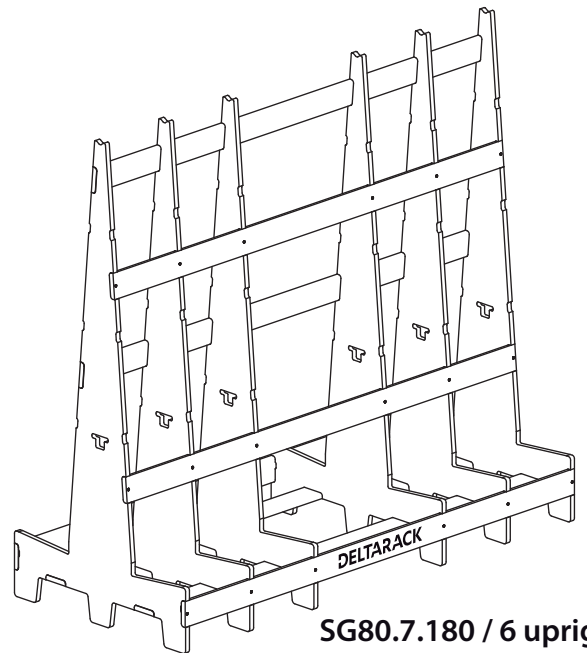
WEIGHT: 44 KG



Torx 20  
⊕ x 48

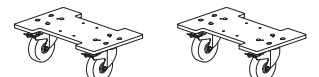


**SR80.5.180 / 6 uprights**



**SG80.7.180 / 6 uprights**

Optional  
Wheelboard kit: WB80.30



(\*) Load needs to be equally distributed over all vertical uprights of the rack