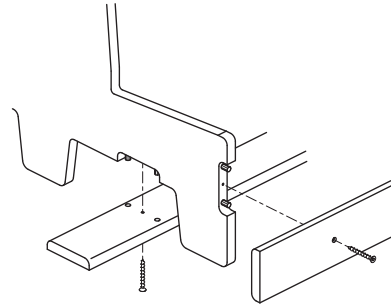
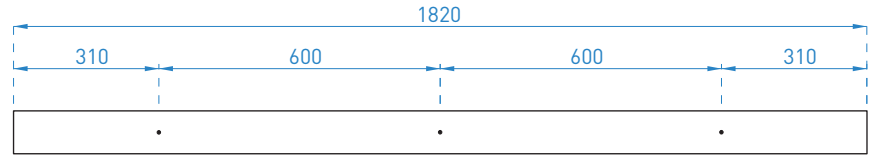
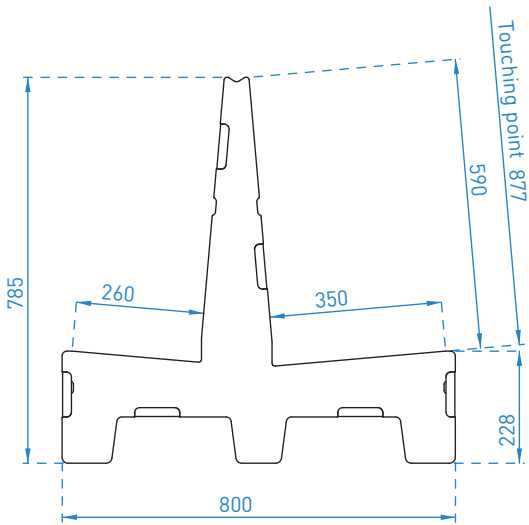


Assembly Guidelines

SB80.180/ 3 Uprights

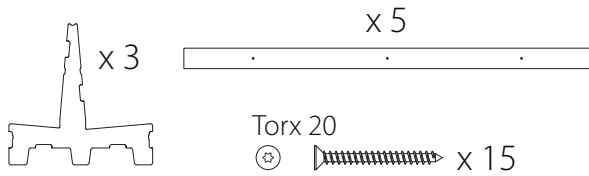
SB80.180/ 4 Uprights

SB80.180/ 6 Uprights



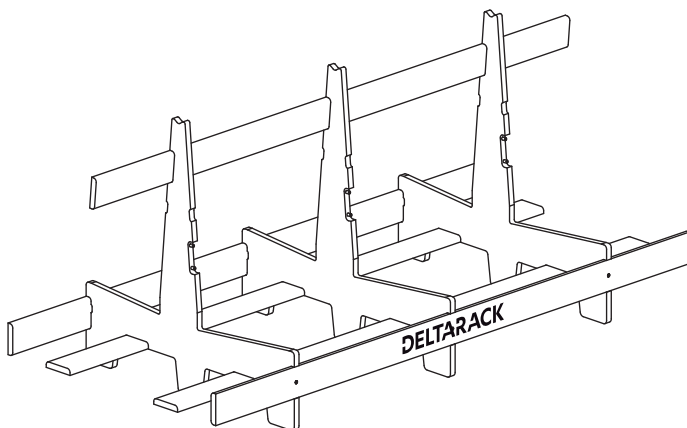
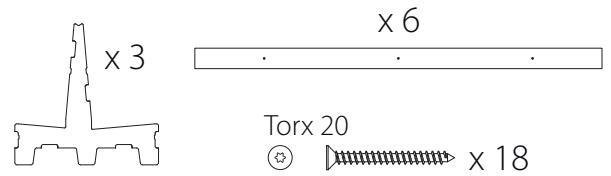
LIMITED USE

WEIGHT: 17 KG

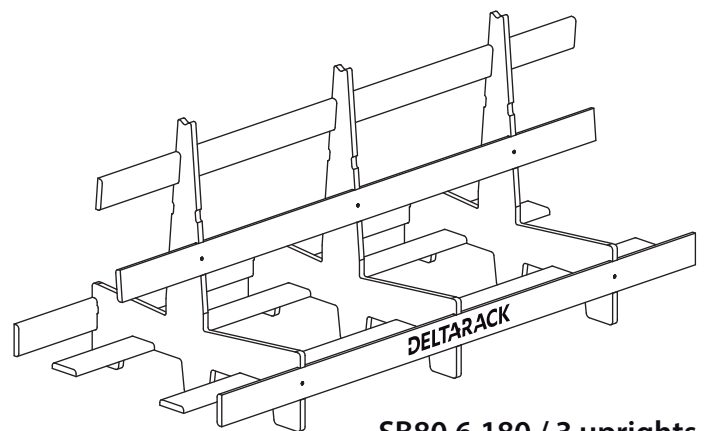


EXTENSIVE USE

WEIGHT: 19 KG

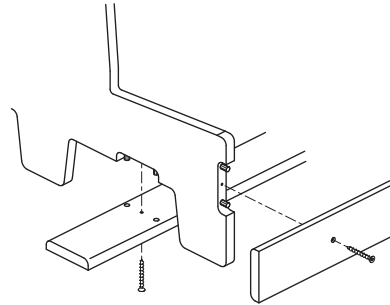
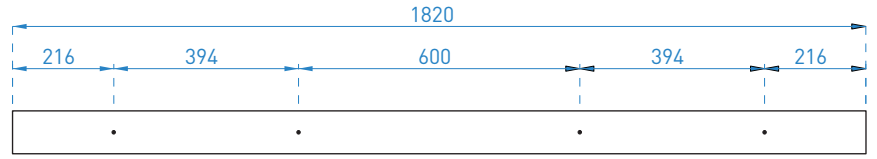
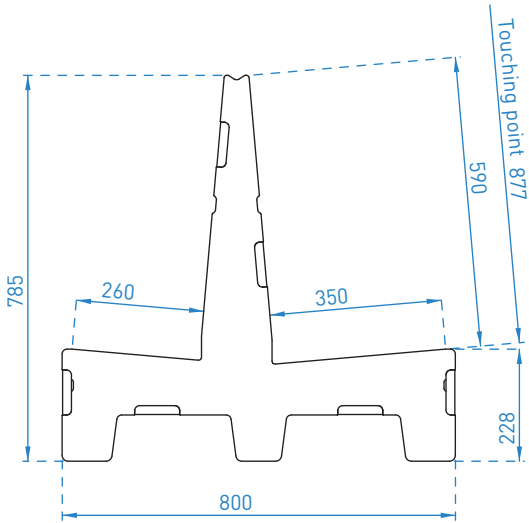


SB80.5.180 / 3 uprights



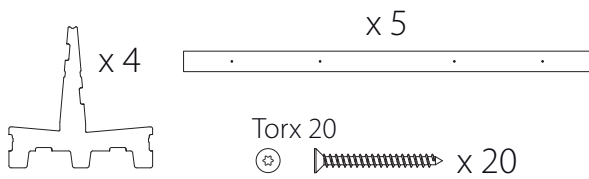
SB80.6.180 / 3 uprights

(*) Load needs to be equally distributed over all vertical uprights of the rack



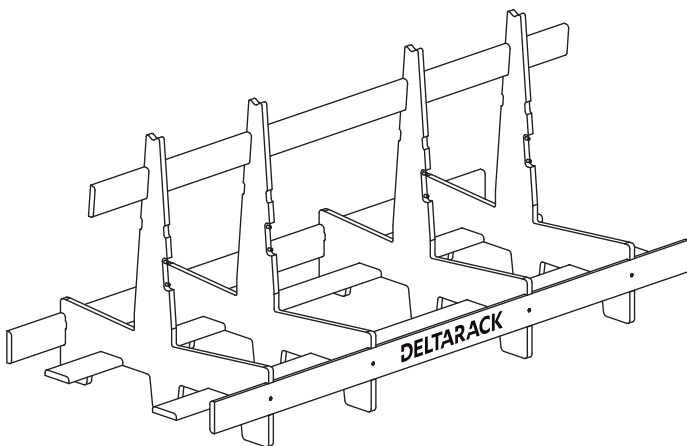
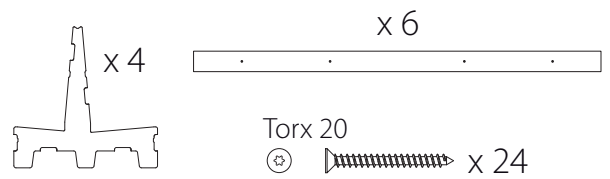
LIMITED USE

WEIGHT: 19 KG

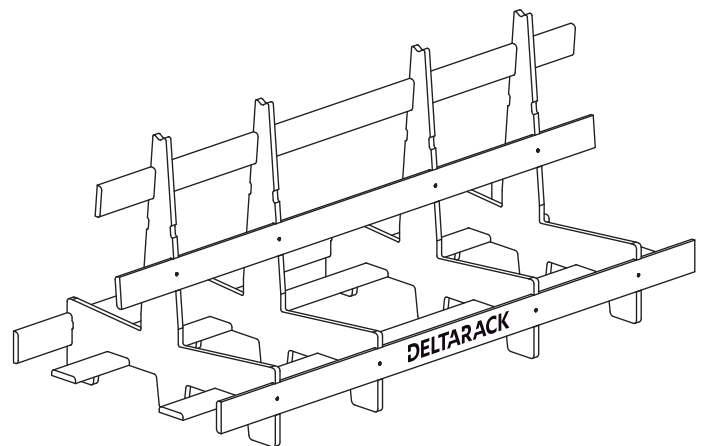


EXTENSIVE USE

WEIGHT: 21 KG

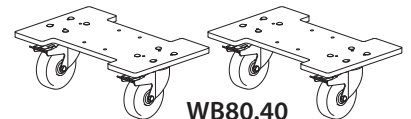


SB80.5.180 / 4 uprights

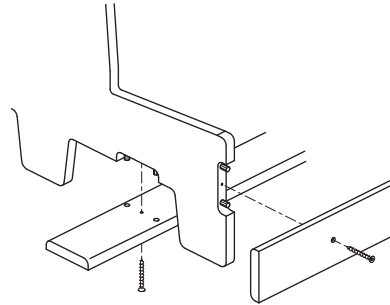
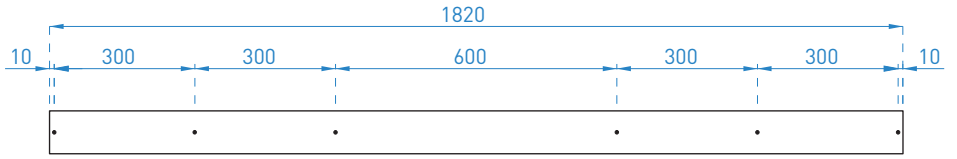
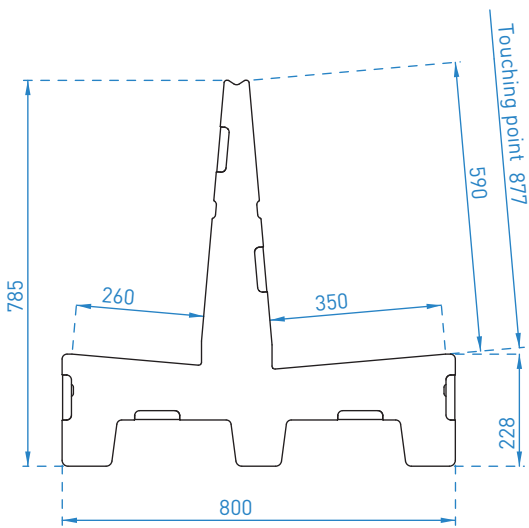


SB80.6.180 / 4 uprights

**Optional
Wheelboard
kit**

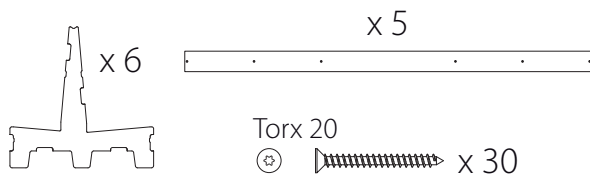


(*) Load needs to be equally distributed over all vertical uprights of the rack



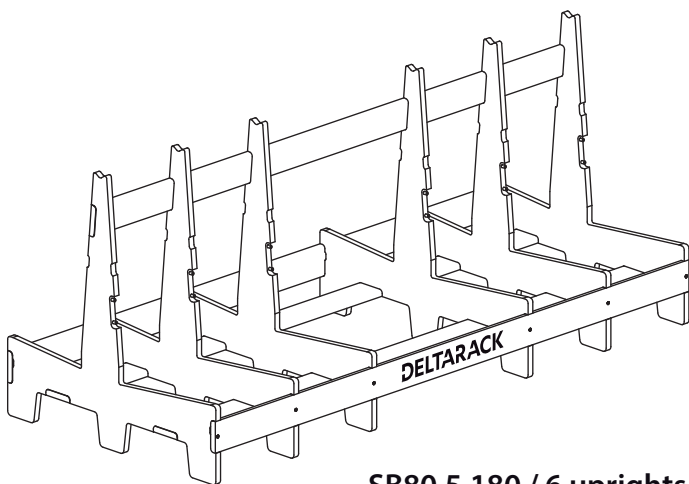
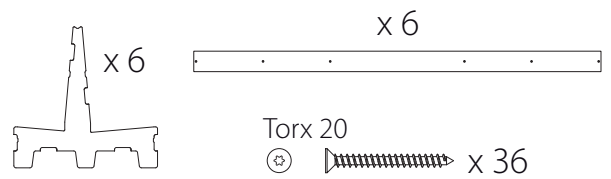
LIMITED USE

WEIGHT: 23 KG

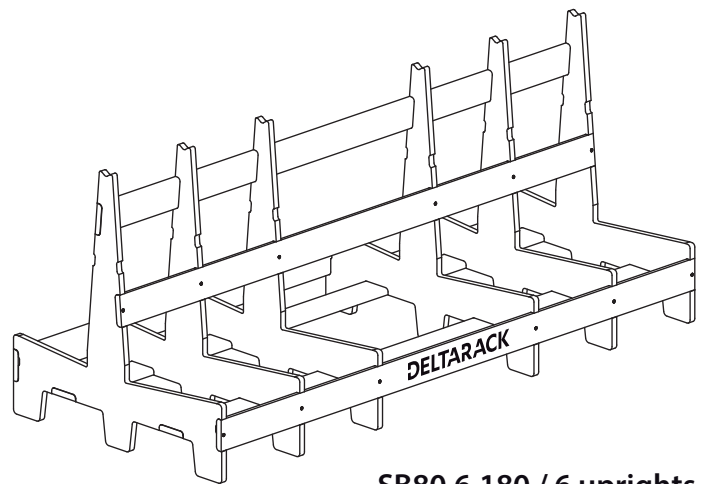


EXTENSIVE USE

WEIGHT: 25 KG

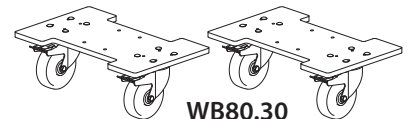


SB80.5.180 / 6 uprights



SB80.6.180 / 6 uprights

**Optional
Wheelboard
kit**



WB80.30

(*) Load needs to be equally distributed over all vertical uprights of the rack