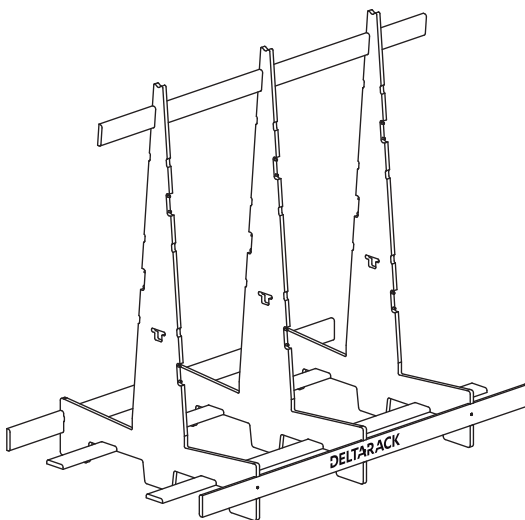
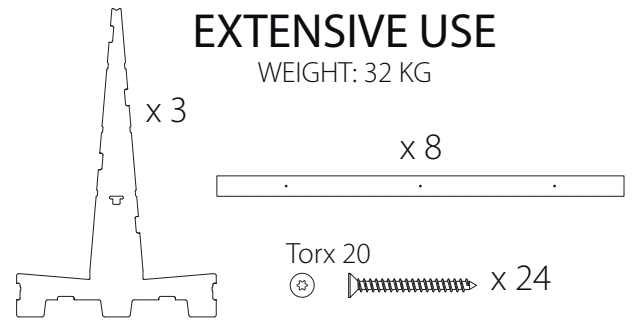
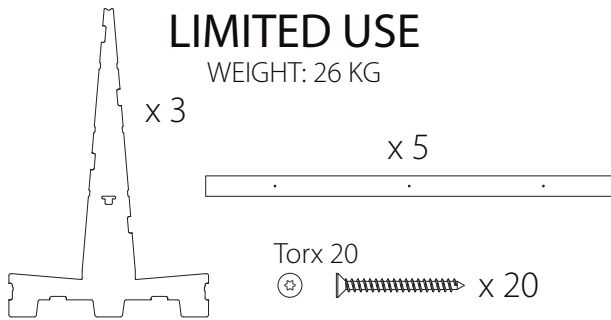
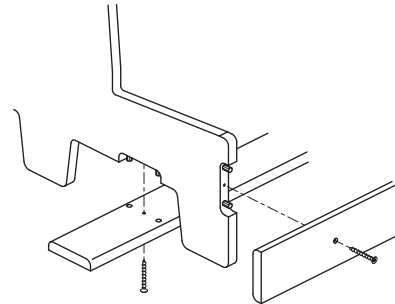
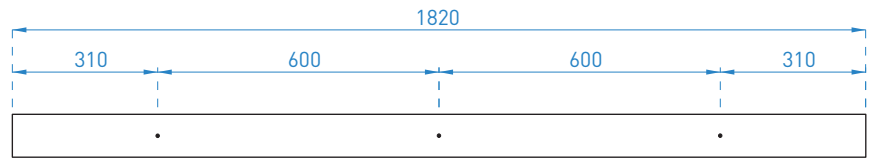
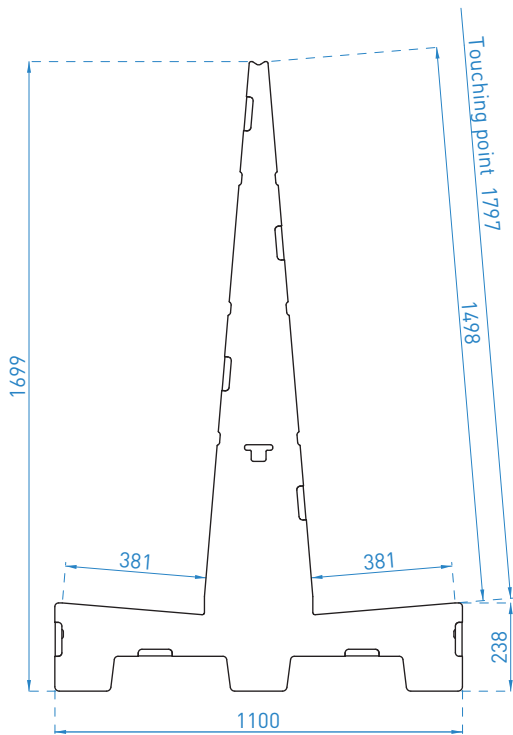


Assembly Guidelines

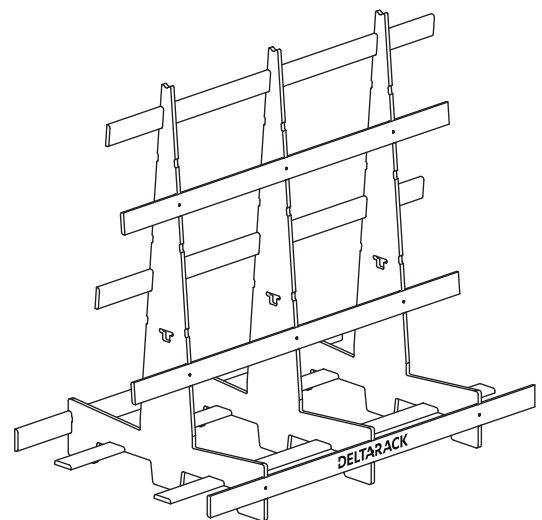
SR110.180/ 3 Uprights

SR110.180/ 4 Uprights

SR110.180/ 6 Uprights

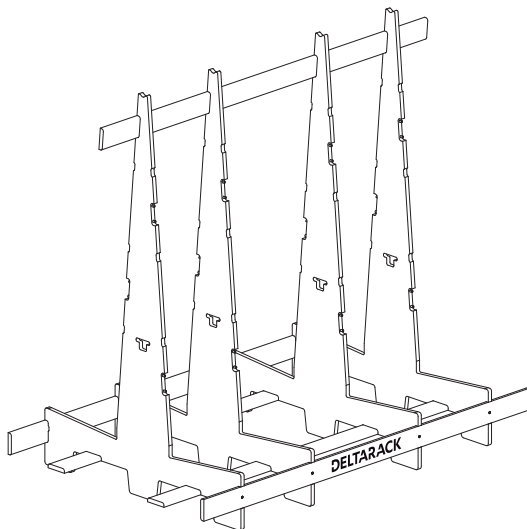
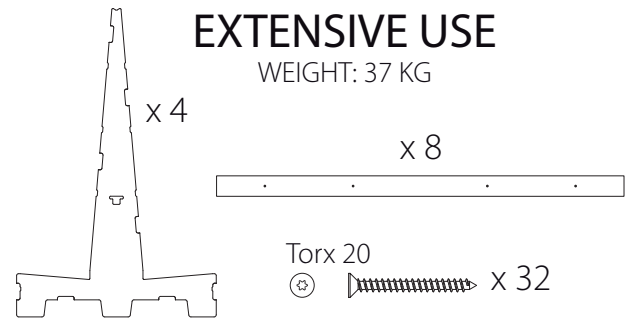
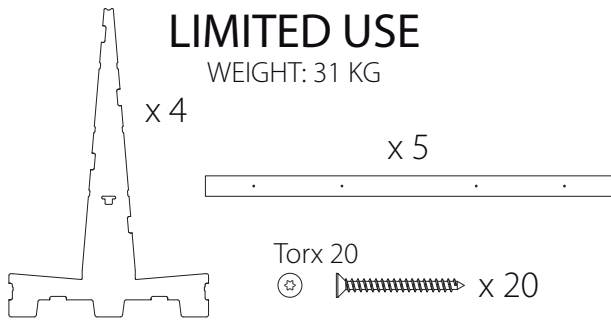
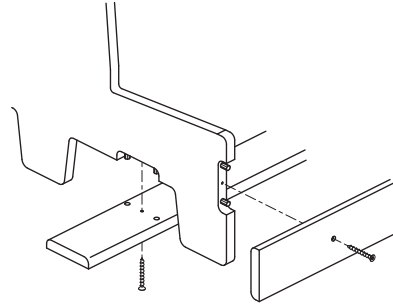
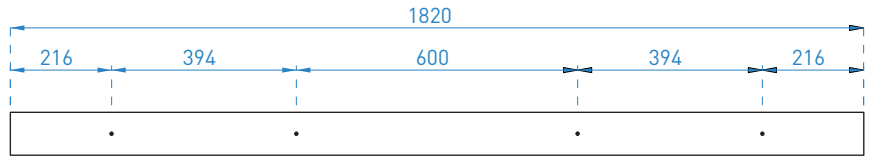
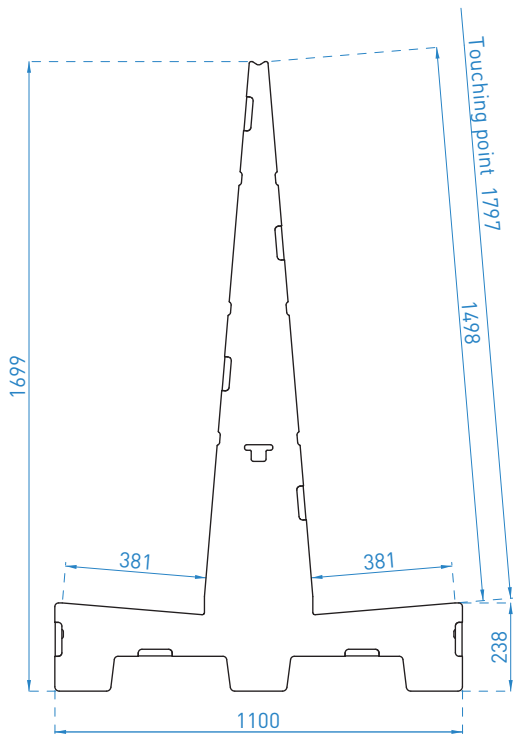


SR110.5.180 / 3 uprights

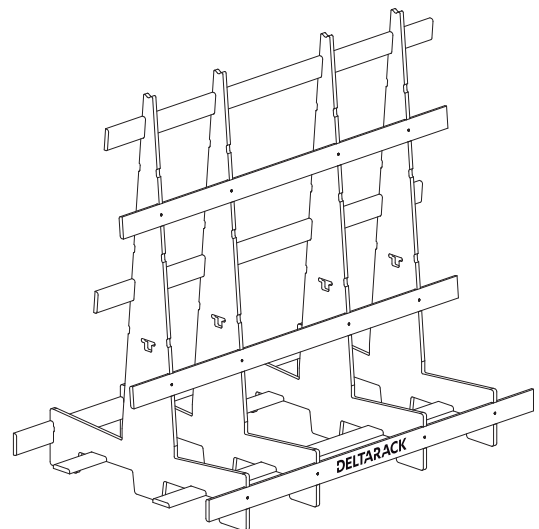


SR110.8.180 / 3 uprights

(*) Load needs to be equally distributed over all vertical uprights of the rack

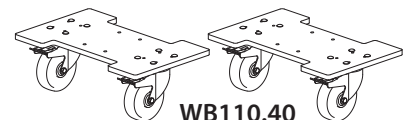


SR110.5.180 / 4 uprights



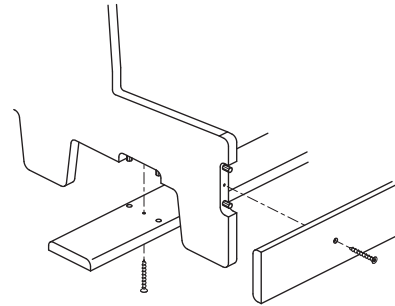
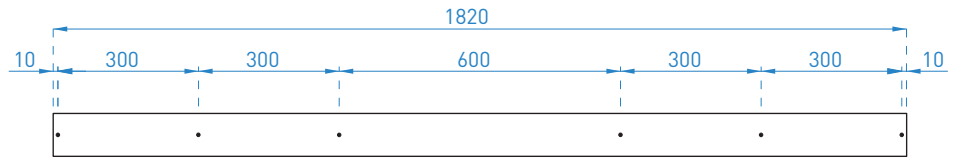
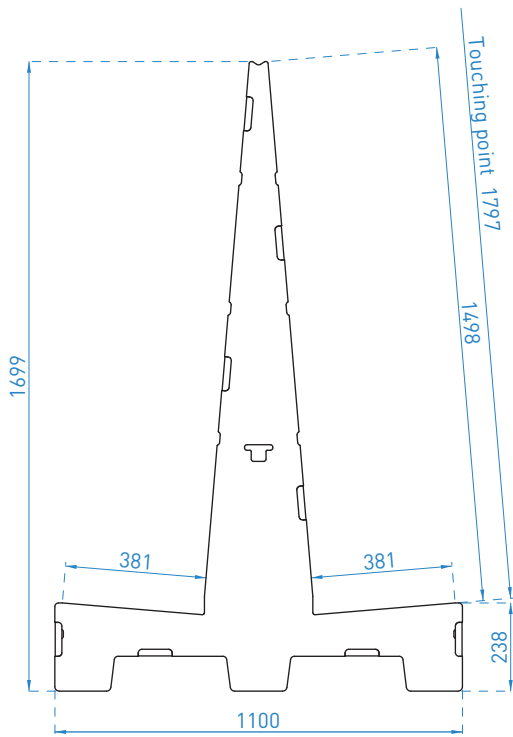
SR110.8.180 / 4 uprights

**Optional
Wheelboard
kit**



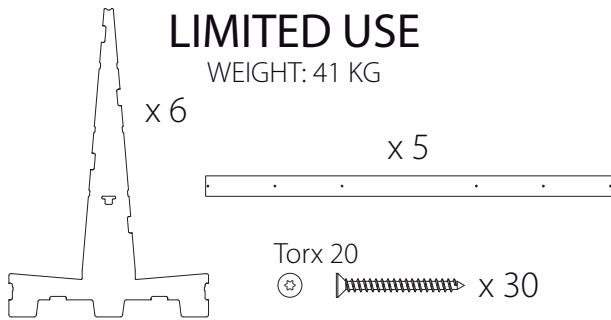
WB110.40

(*) Load needs to be equally distributed over all vertical uprights of the rack



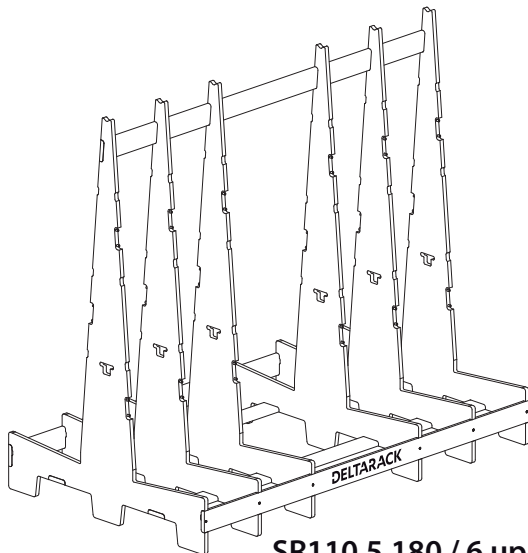
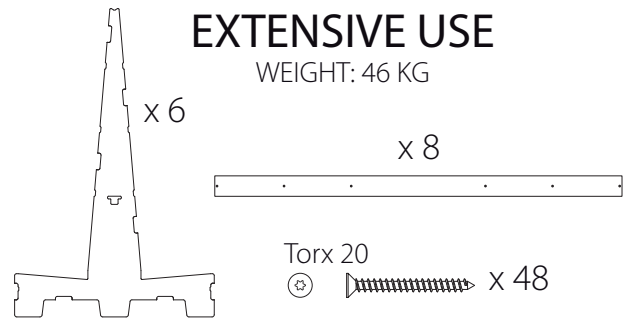
LIMITED USE

WEIGHT: 41 KG

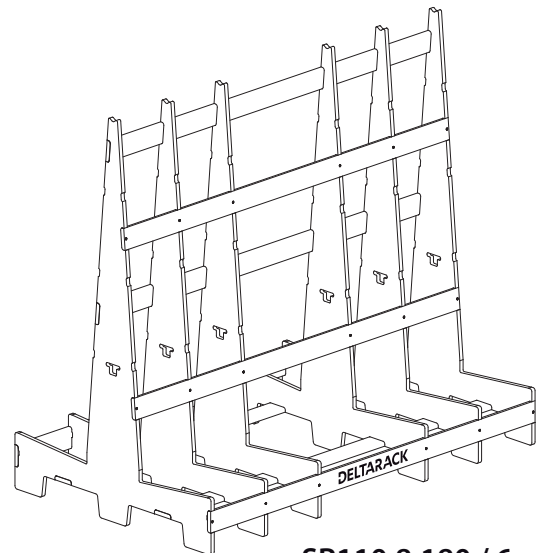


EXTENSIVE USE

WEIGHT: 46 KG

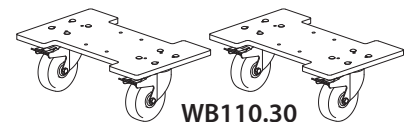


SR110.5.180 / 6 uprights



SR110.8.180 / 6 uprights

**Optional
Wheelboard
kit**



WB110.30

(*) Load needs to be equally distributed over all vertical uprights of the rack