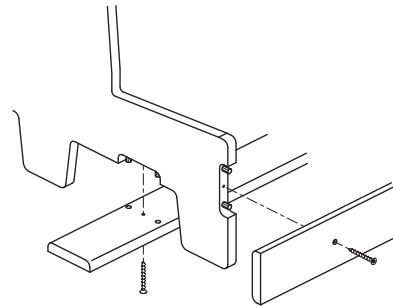
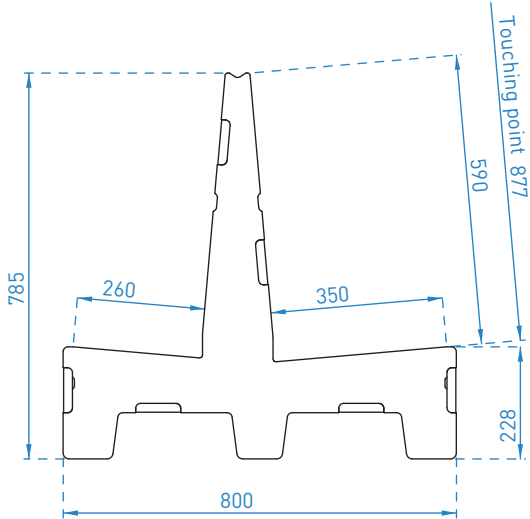
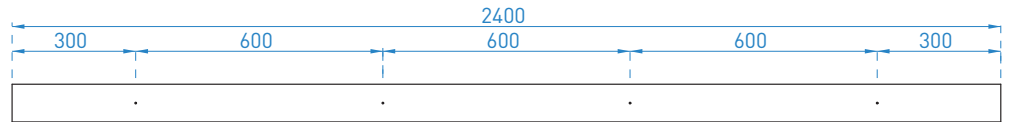


Assembly Guidelines

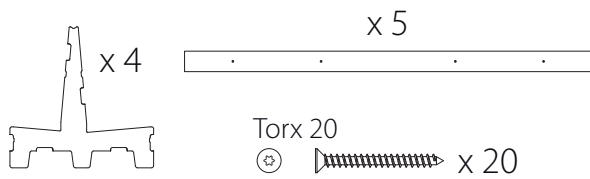
SB80.240/ 4 Uprights

SB80.240/ 6 Uprights



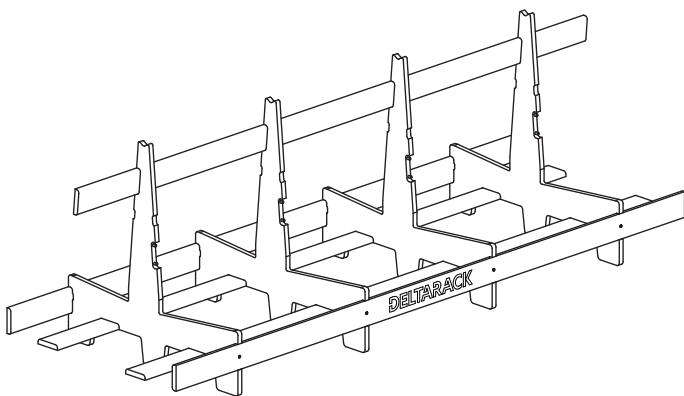
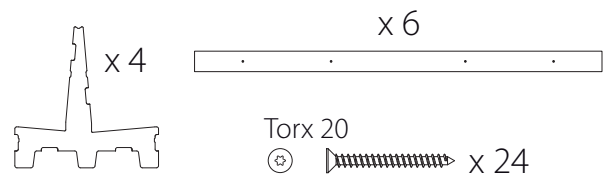
LIMITED USE

WEIGHT: 22 KG

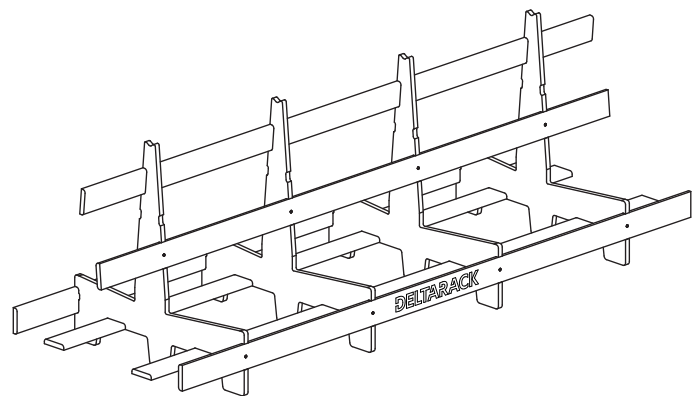


EXTENSIVE USE

WEIGHT: 24 KG

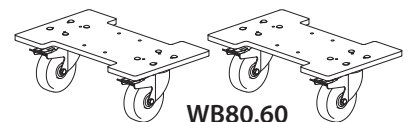


SB80.5.240 / 4 uprights

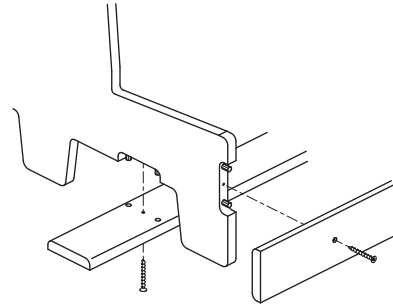
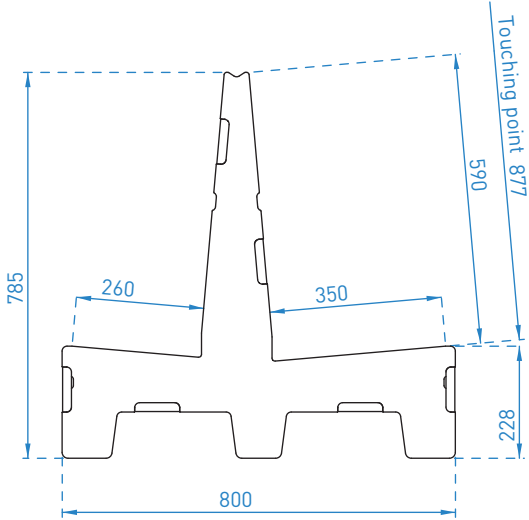
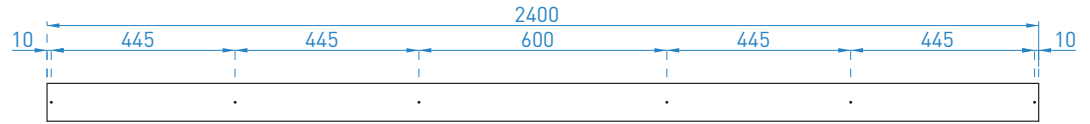


SB80.6.240 / 4 uprights

**Optional
Wheelboard
kit**

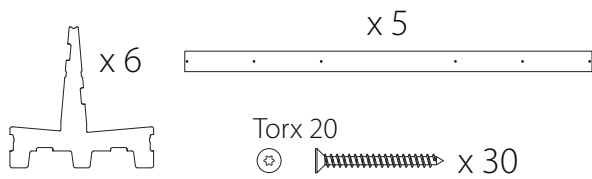


(*) Load needs to be equally distributed over all vertical uprights of the rack



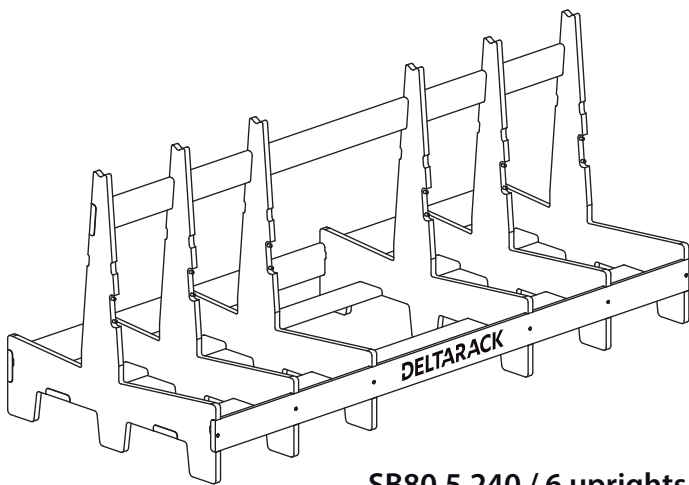
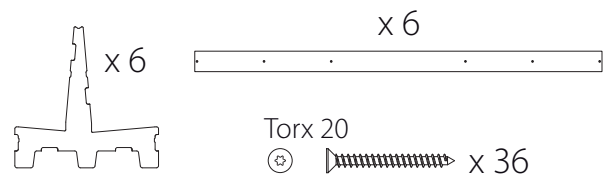
LIMITED USE

WEIGHT: 26 KG

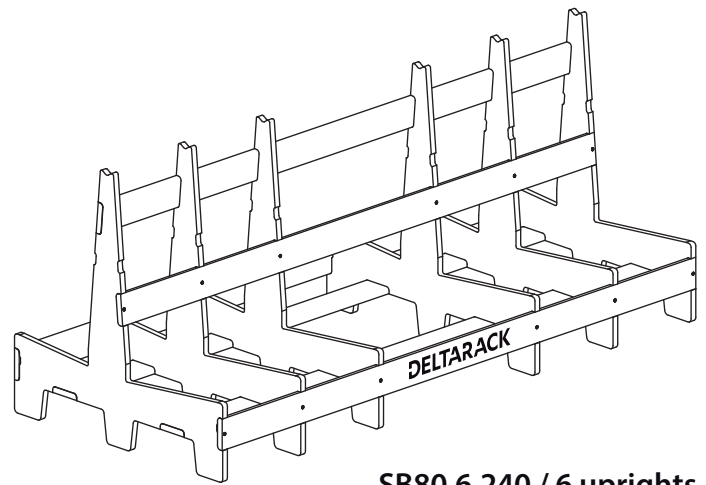


EXTENSIVE USE

WEIGHT: 29 KG



SB80.5.240 / 6 uprights



SB80.6.240 / 6 uprights

(*) Load needs to be equally distributed over all vertical uprights of the rack