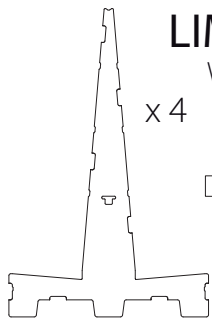
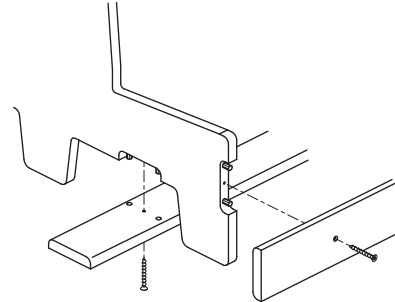
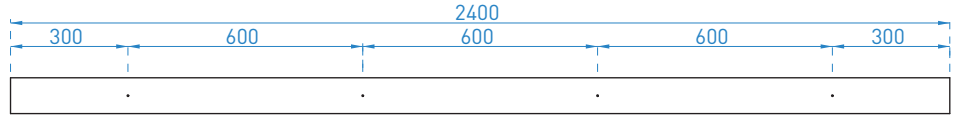
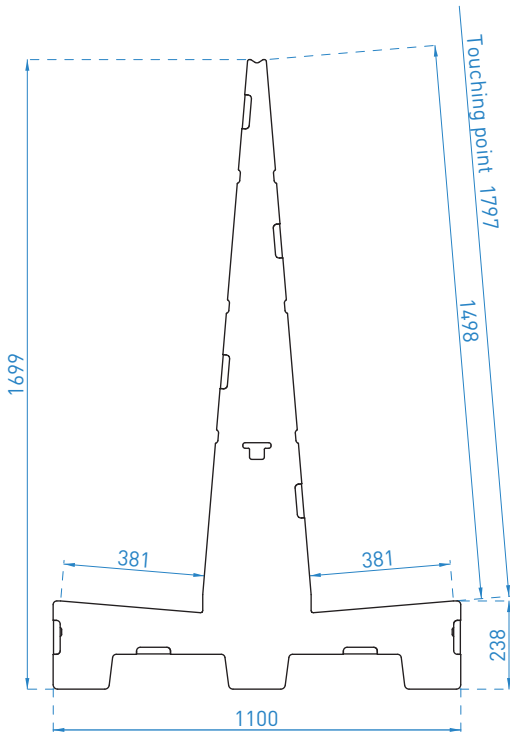


Assembly Guidelines

SR110.240/ 4 Uprights

SR110.240/ 6 Uprights



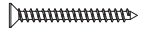
LIMITED USE

WEIGHT: 34 KG

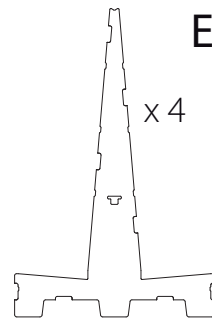
x 4

x 5

Torx 20



x 20



EXTENSIVE USE

WEIGHT: 42 KG

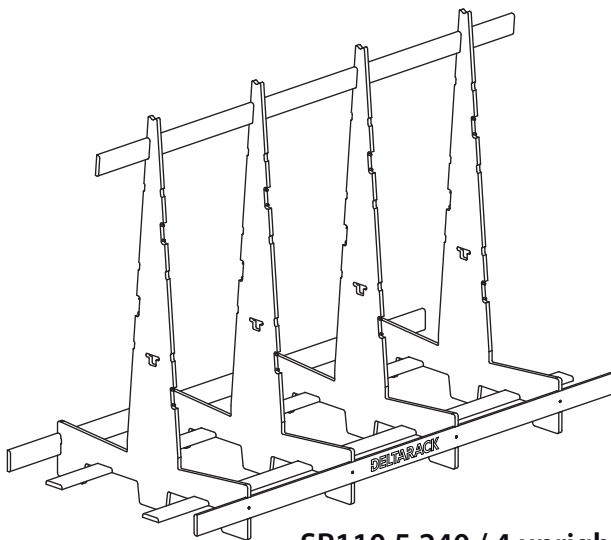
x 4

x 8

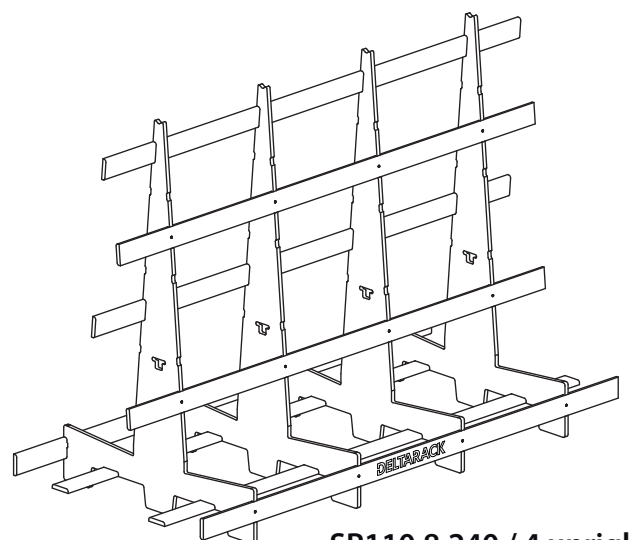
Torx 20



x 32

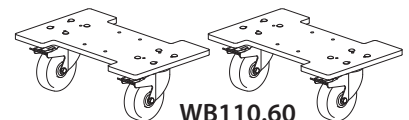


SR110.5.240 / 4 uprights



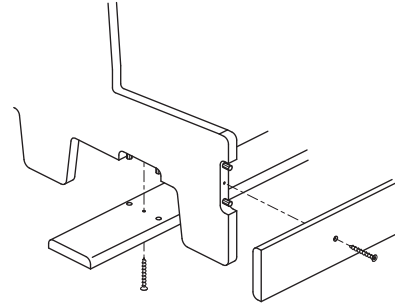
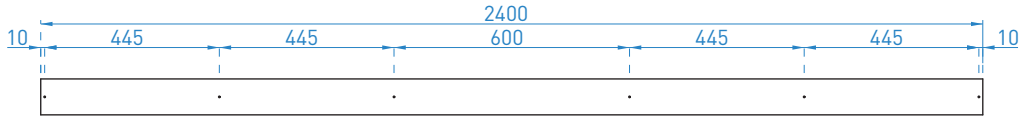
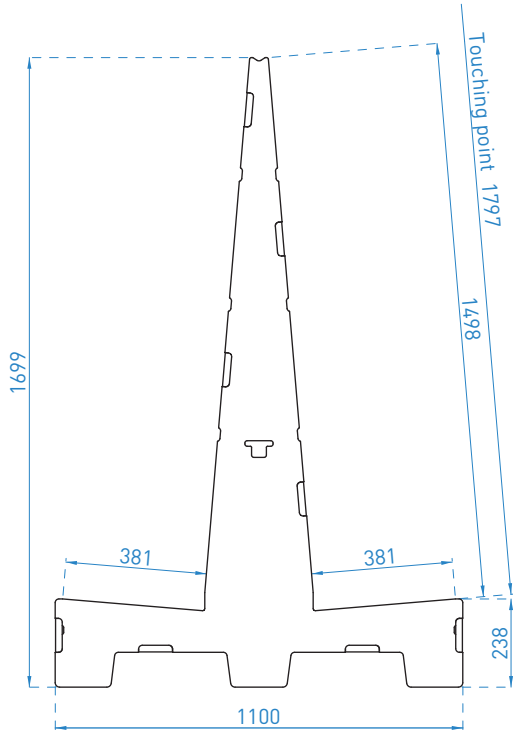
SR110.8.240 / 4 uprights

**Optional
Wheelboard
kit**



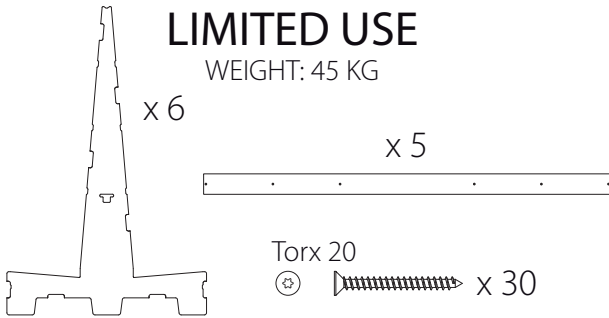
WB110.60

(*) Load needs to be equally distributed over all vertical uprights of the rack



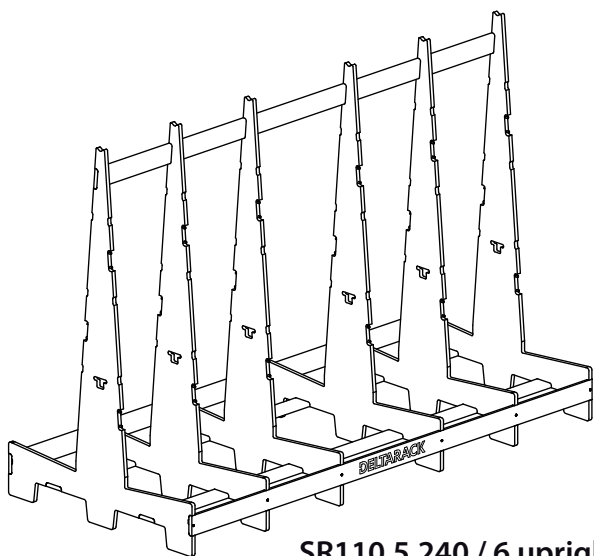
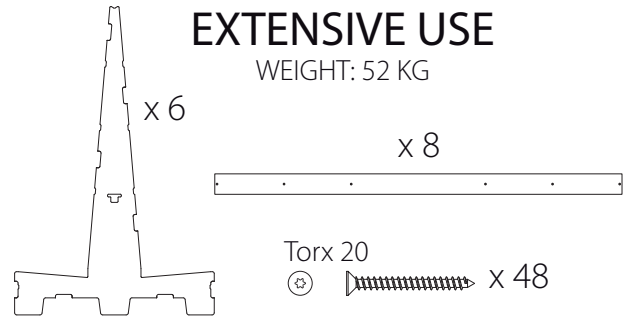
LIMITED USE

WEIGHT: 45 KG

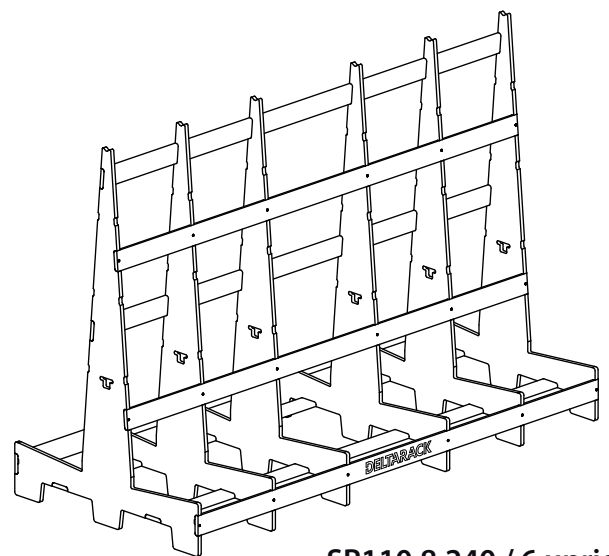


EXTENSIVE USE

WEIGHT: 52 KG



SR110.5.240 / 6 uprights



SR110.8.240 / 6 uprights

(*) Load needs to be equally distributed over all vertical uprights of the rack