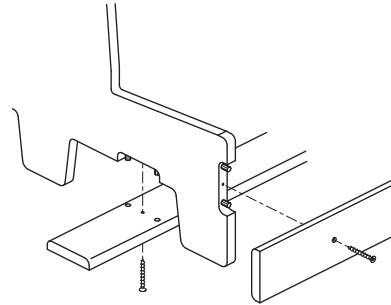
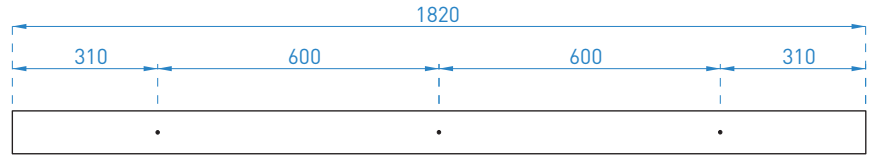
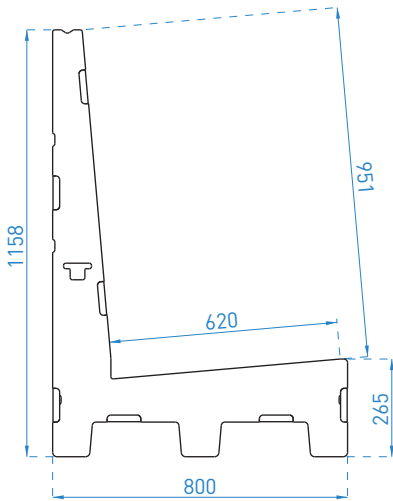


Assembly Guidelines

SL80.180/ 3 Uprights

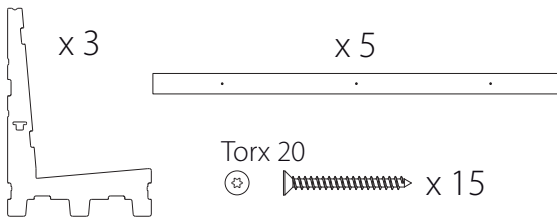
SL80.180/ 4 Uprights

SL80.180/ 6 Uprights



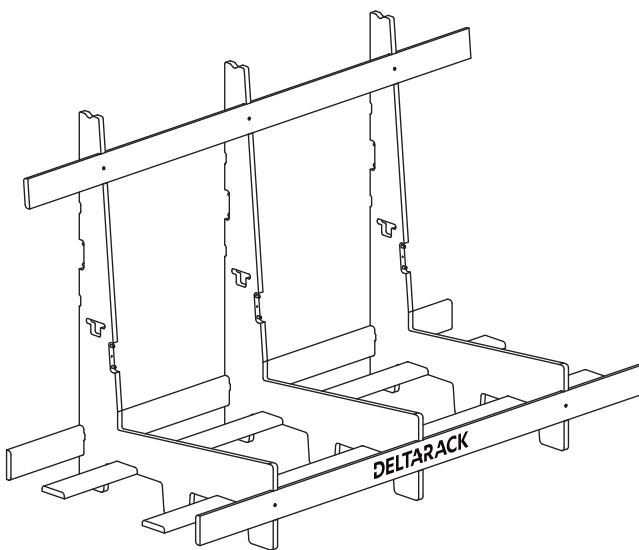
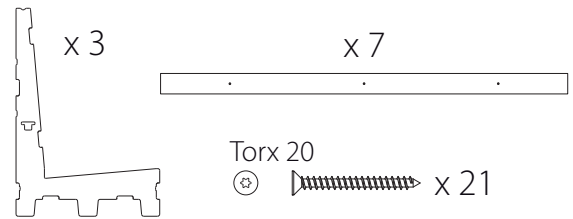
LIMITED USE

WEIGHT: 20 KG

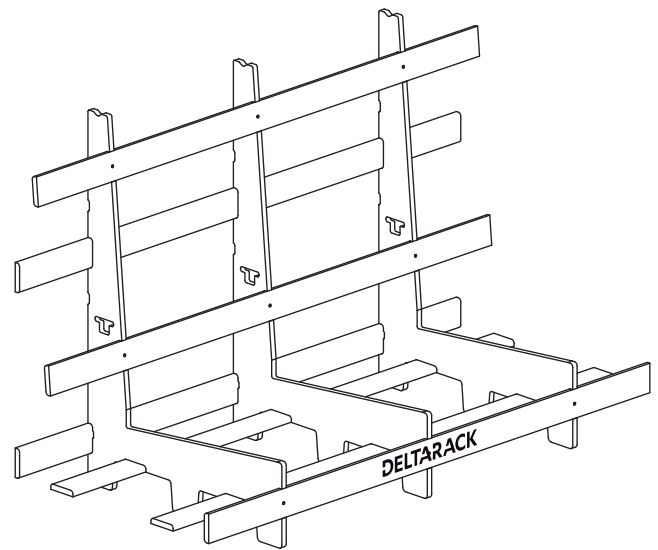


EXTENSIVE USE

WEIGHT: 24 KG

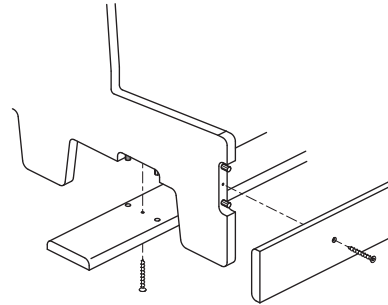
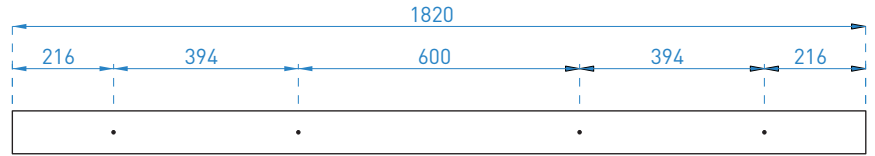
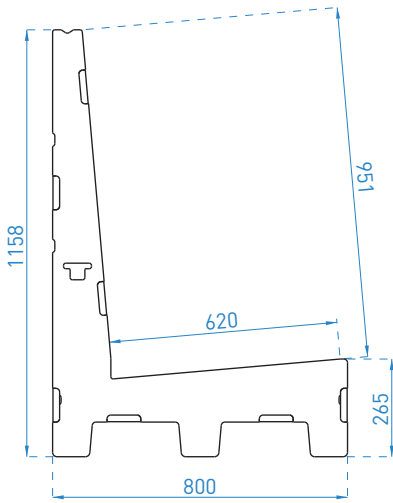


SL80.5.180 / 3 uprights



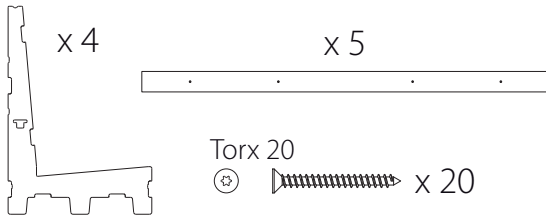
SL80.7.180 / 3 uprights

(*) Load needs to be equally distributed over all vertical uprights of the rack



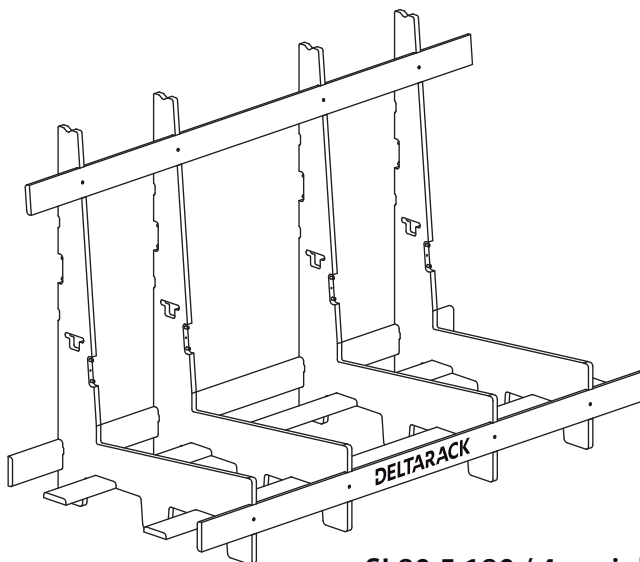
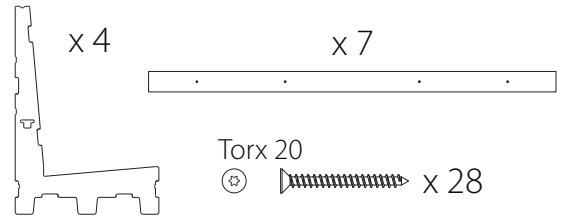
LIMITED USE

WEIGHT: 23 KG

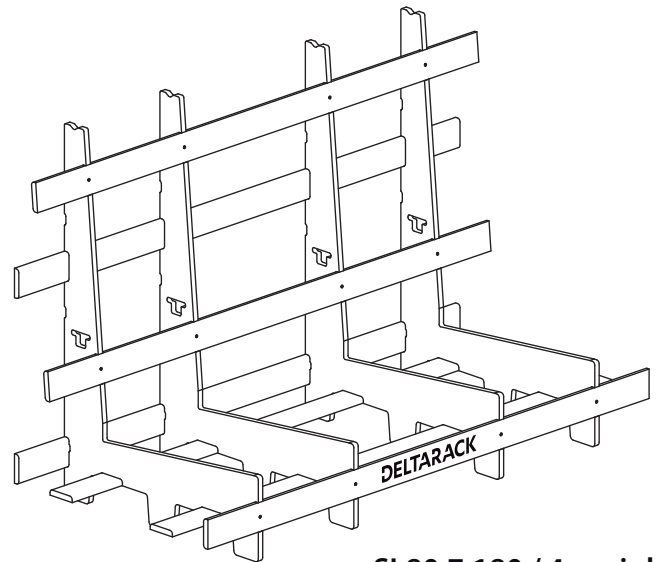


EXTENSIVE USE

WEIGHT: 27 KG

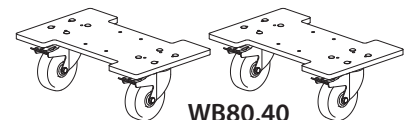


SL80.5.180 / 4 uprights

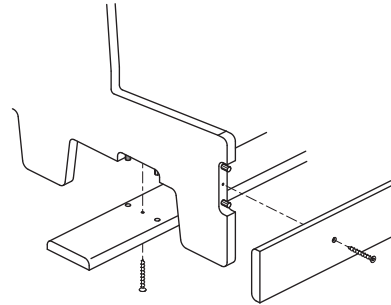
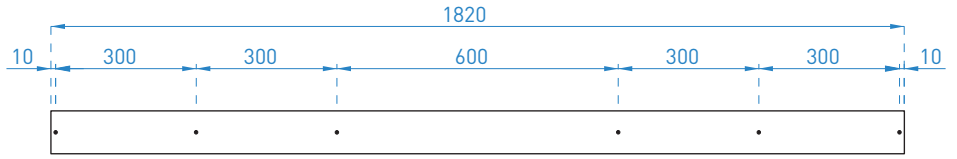
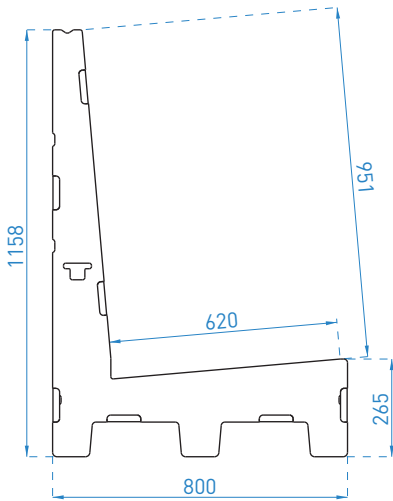


SL80.7.180 / 4 uprights

**Optional
Wheelboard
kit**

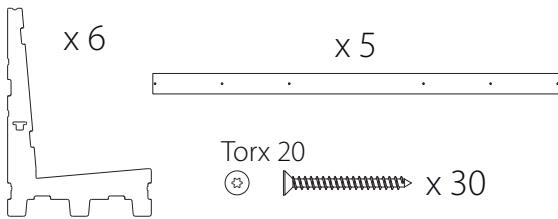


(*) Load needs to be equally distributed over all vertical uprights of the rack



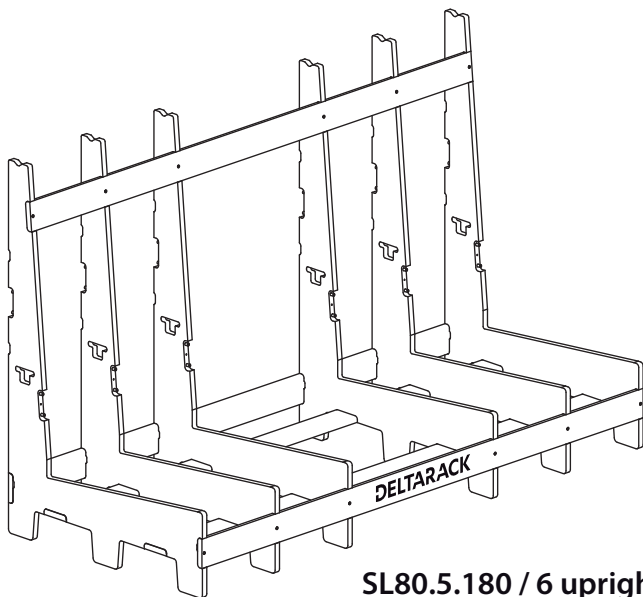
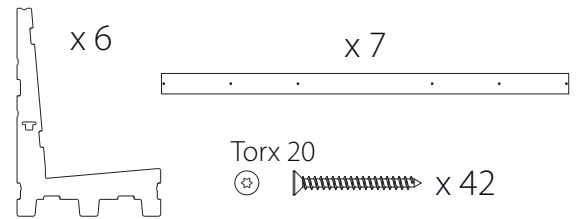
LIMITED USE

WEIGHT: 29 KG

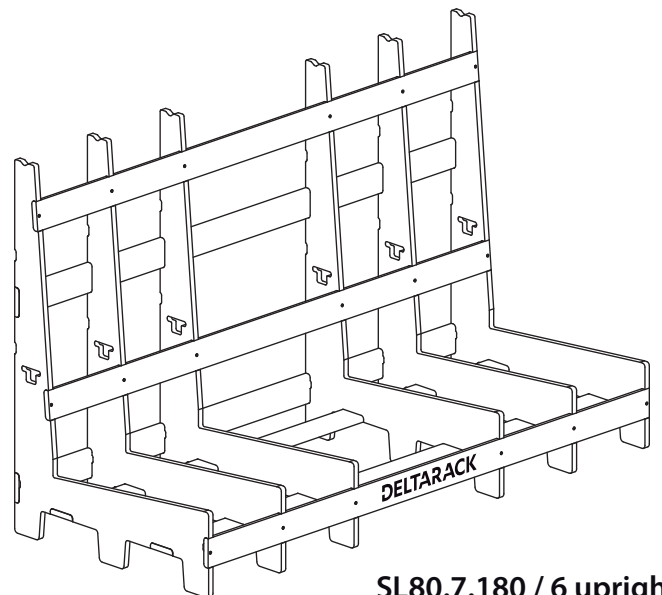


EXTENSIVE USE

WEIGHT: 33 KG

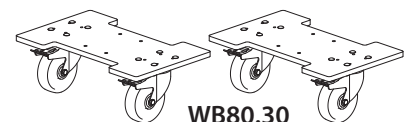


SL80.5.180 / 6 uprights



SL80.7.180 / 6 uprights

**Optional
Wheelboard
kit**



(*) Load needs to be equally distributed over all vertical uprights of the rack