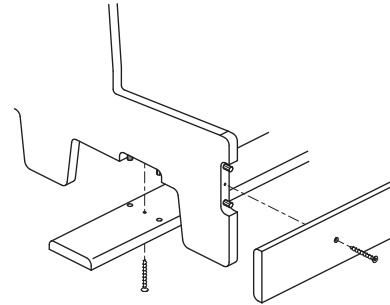
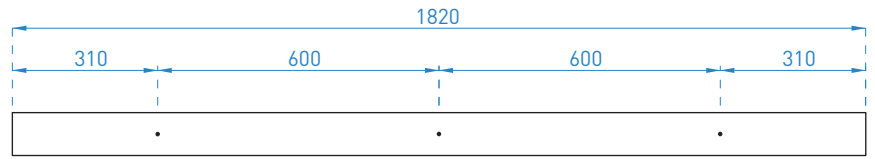
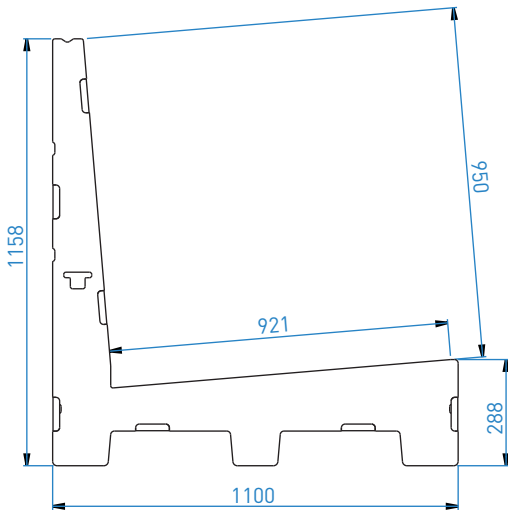


Assembly Guidelines

SL110.180/ 3 Uprights

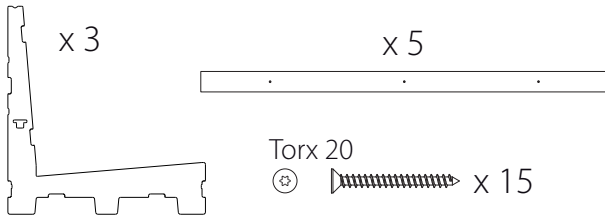
SL110.180/ 4 Uprights

SL110.180/ 6 Uprights



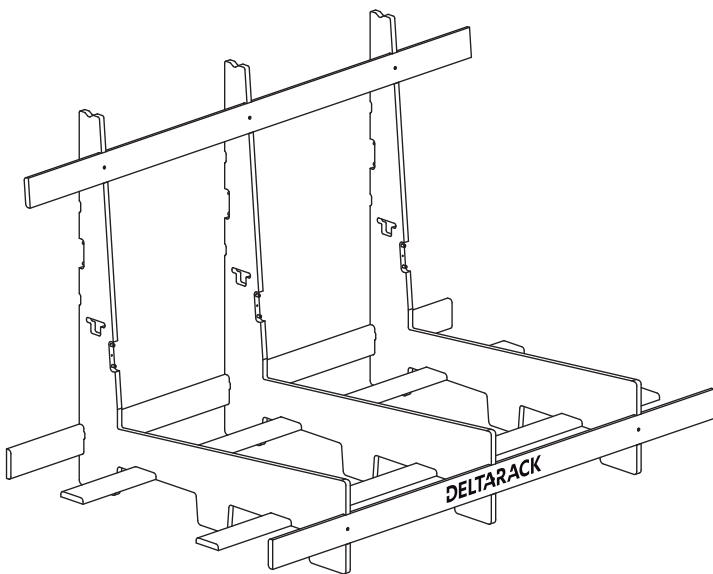
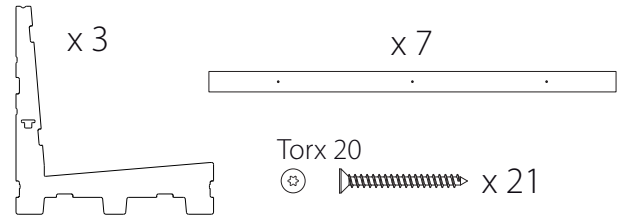
LIMITED USE

WEIGHT: 21 KG

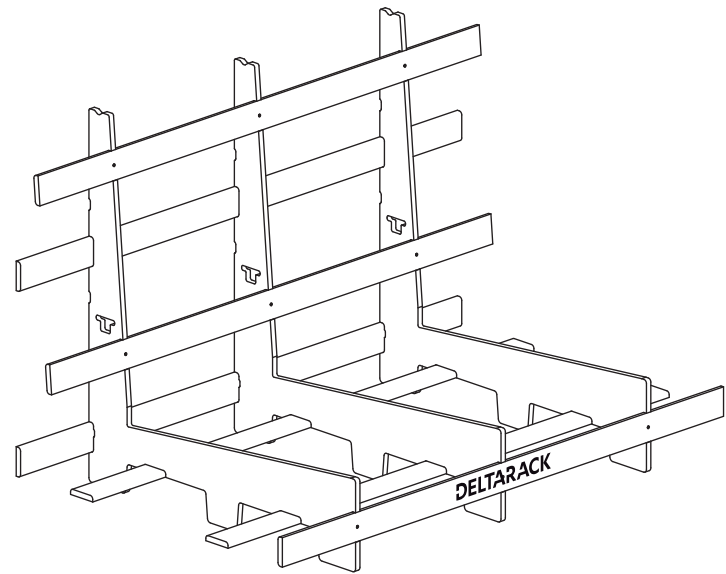


EXTENSIVE USE

WEIGHT: 25 KG

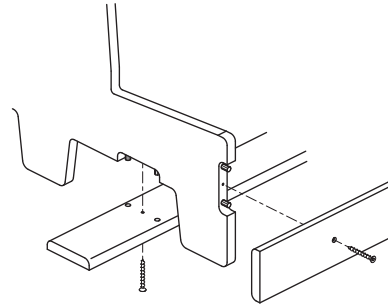
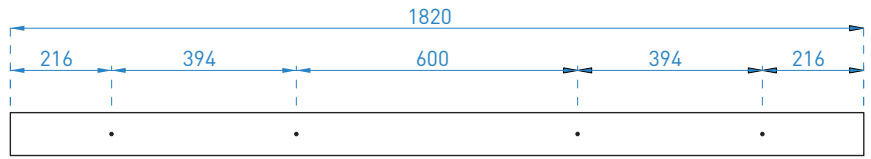
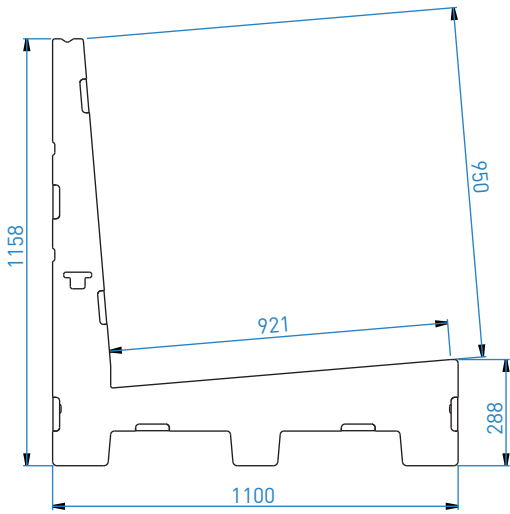


SL110.5.180 / 3 uprights



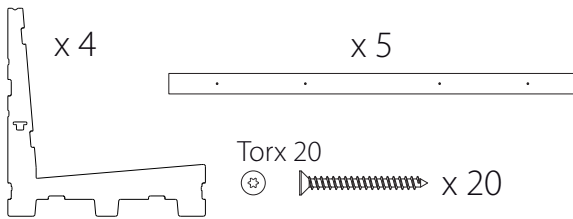
SL110.7.180 / 3 uprights

(*) Load needs to be equally distributed over all vertical uprights of the rack



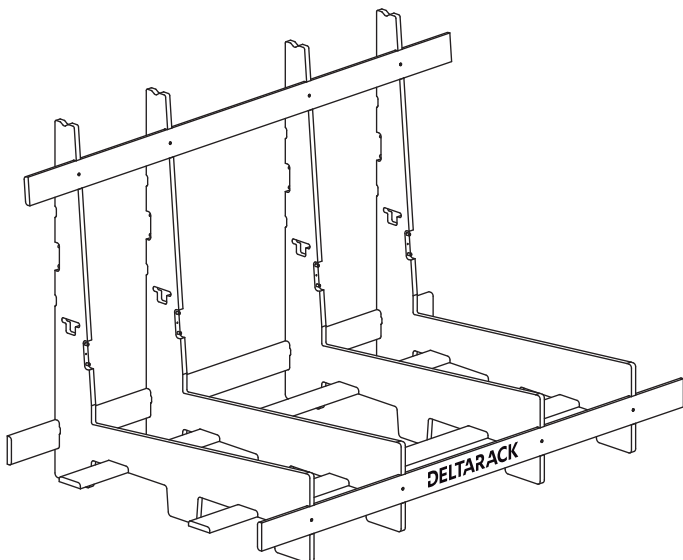
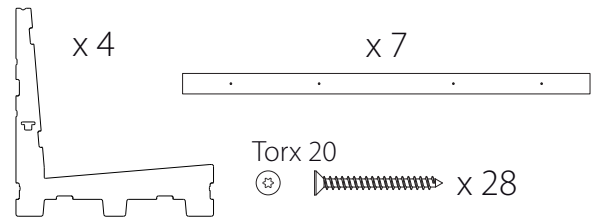
LIMITED USE

WEIGHT: 25 KG

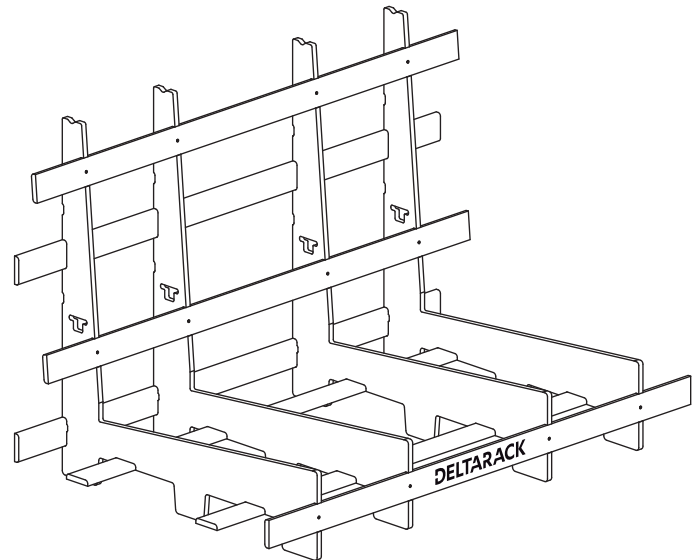


EXTENSIVE USE

WEIGHT: 29 KG

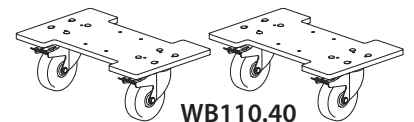


SL110.5.180 / 4 uprights

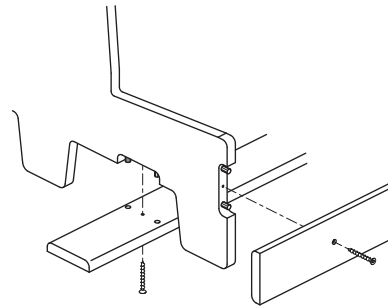
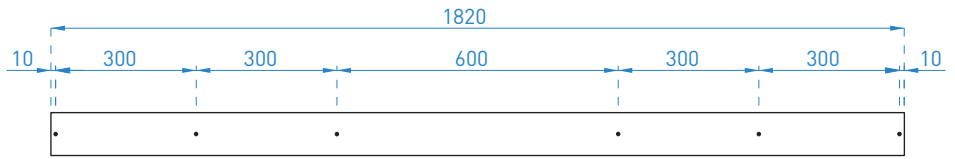
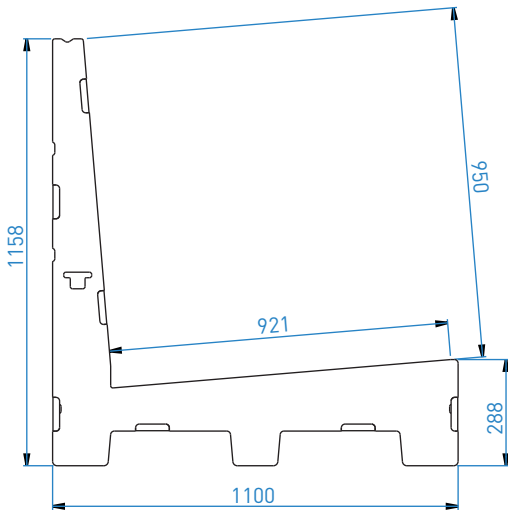


SL110.7.180 / 4 uprights

**Optional
Wheelboard
kit**

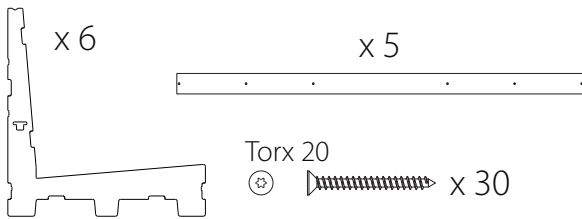


(*) Load needs to be equally distributed over all vertical uprights of the rack



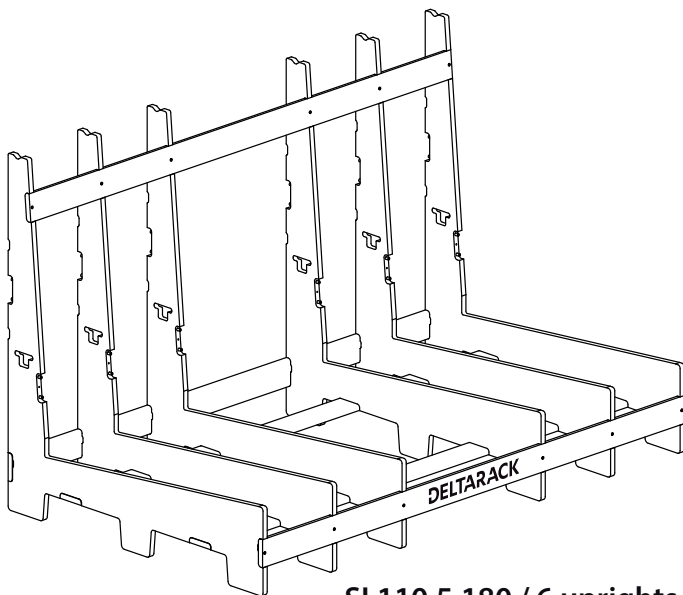
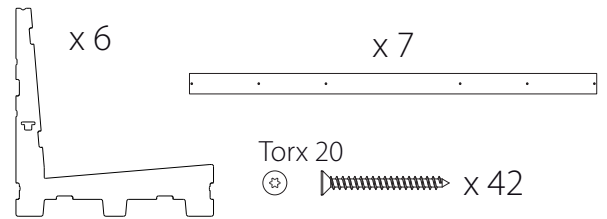
LIMITED USE

WEIGHT: 32 KG

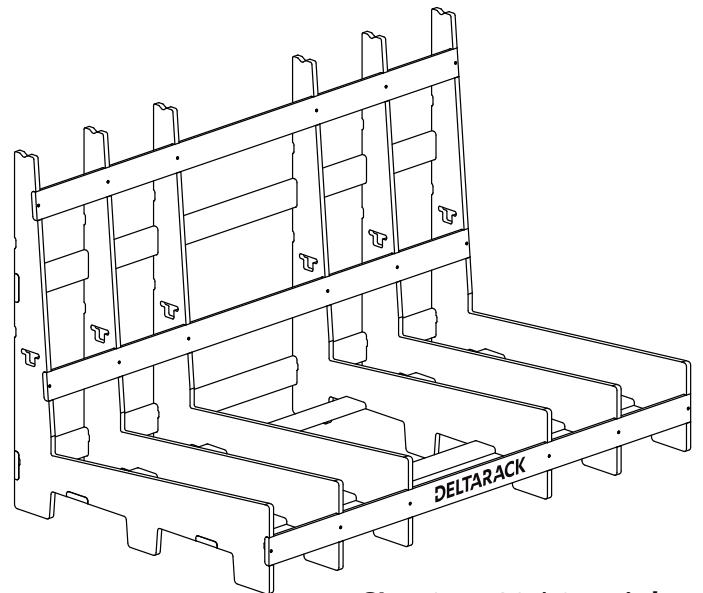


EXTENSIVE USE

WEIGHT: 36 KG

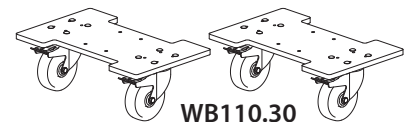


SL110.5.180 / 6 uprights



SL110.7.180 / 6 uprights

**Optional
Wheelboard
kit**



WB110.30

(*) Load needs to be equally distributed over all vertical uprights of the rack