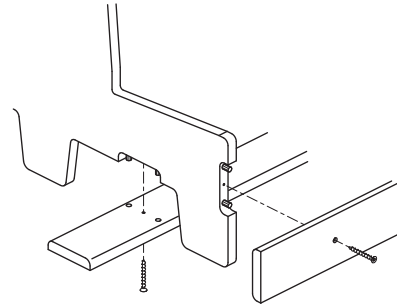
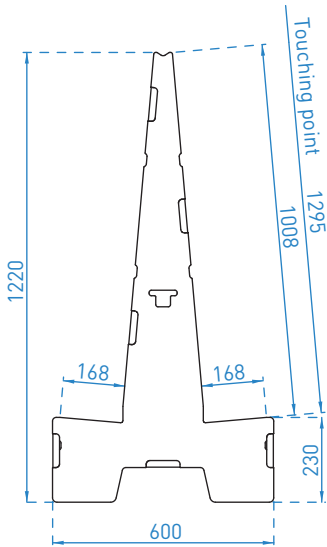
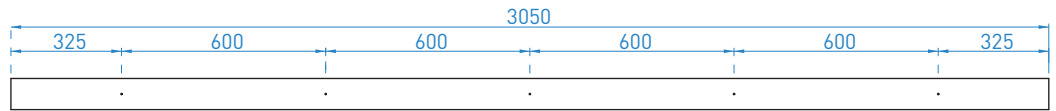


## Assembly Guidelines

**SG60.300/ 5 Uprights**

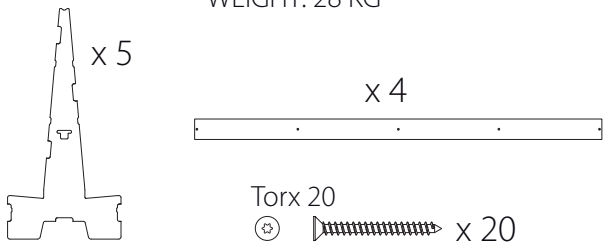
**SG60.300/ 6 Uprights**

**SG60.300/ 7 Uprights**



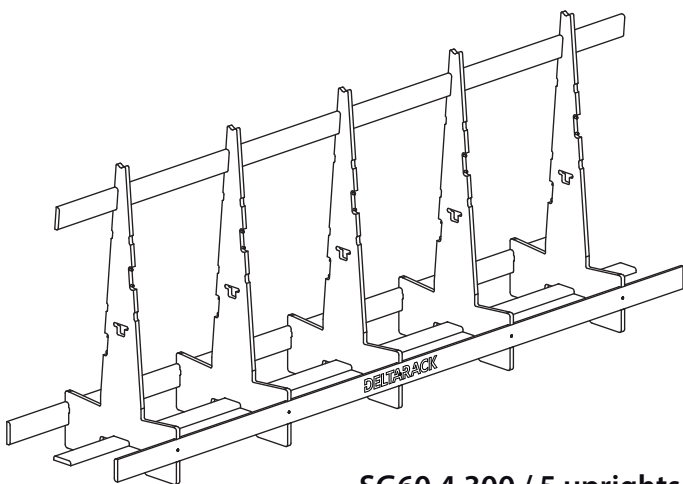
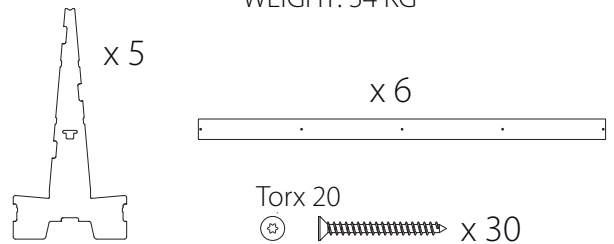
**LIMITED USE**

WEIGHT: 28 KG

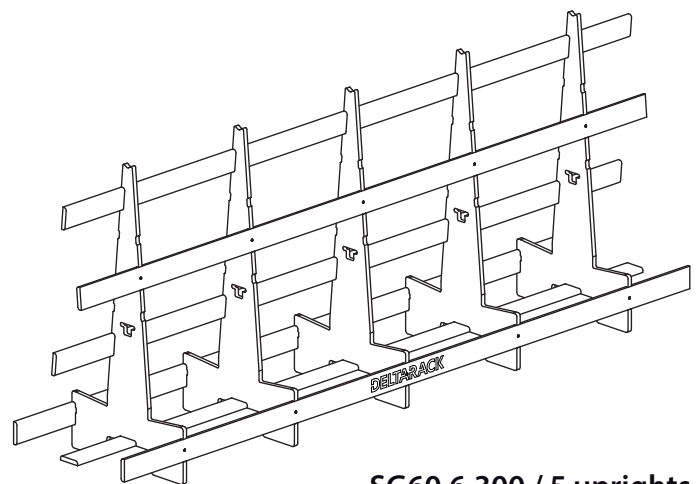


**EXTENSIVE USE**

WEIGHT: 34 KG

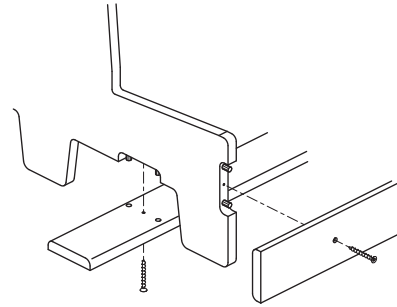
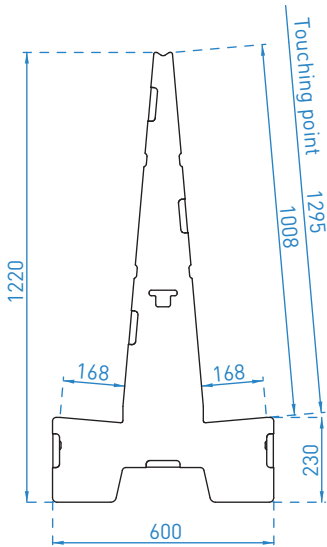
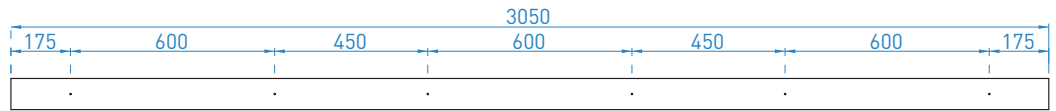


**SG60.4.300 / 5 uprights**



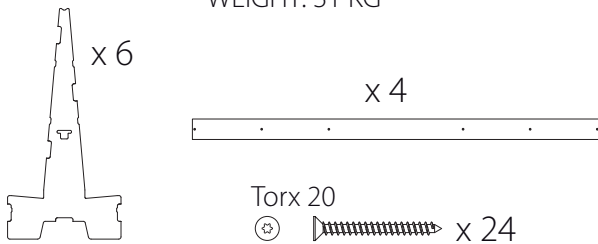
**SG60.6.300 / 5 uprights**

(\*) Load needs to be equally distributed over all vertical uprights of the rack



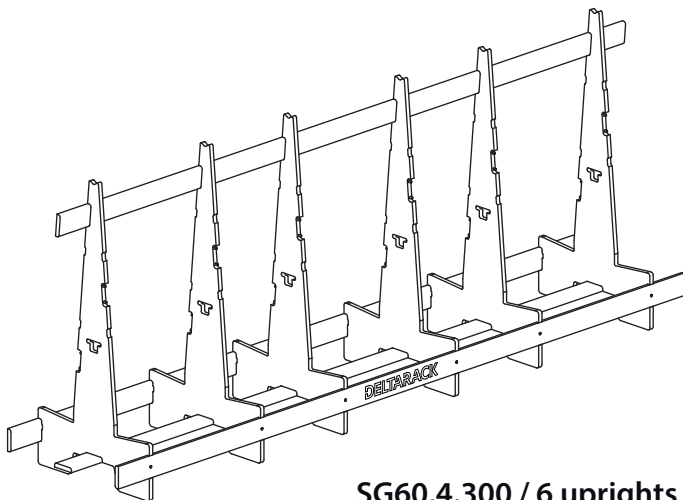
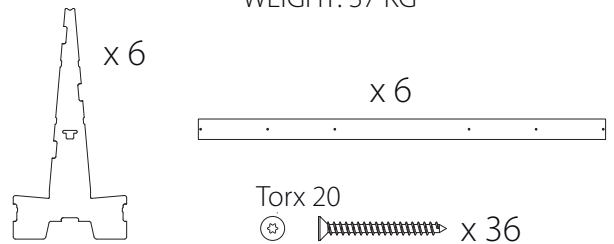
**LIMITED USE**

WEIGHT: 31 KG

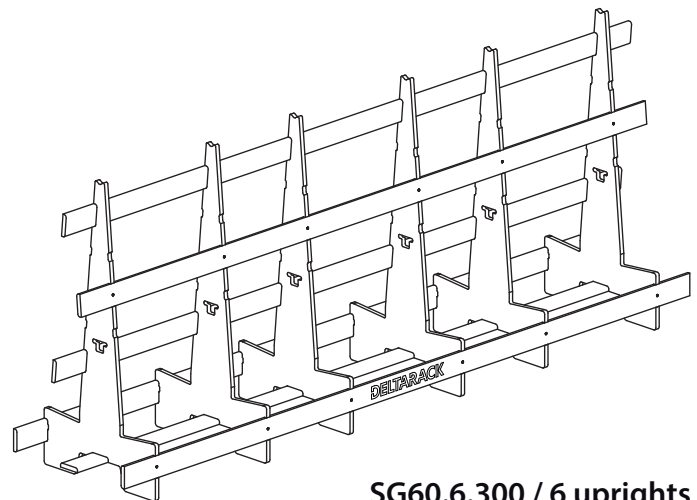


**EXTENSIVE USE**

WEIGHT: 37 KG

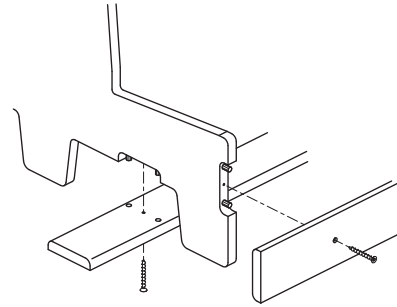
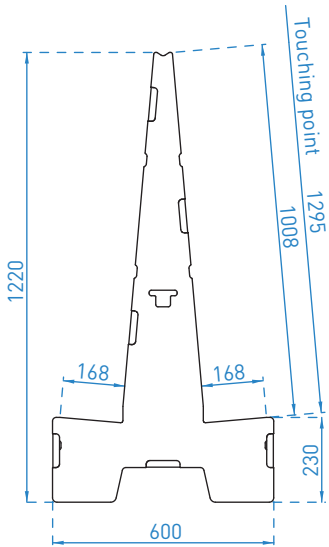
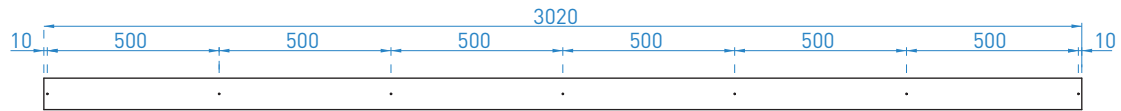


**SG60.4.300 / 6 uprights**



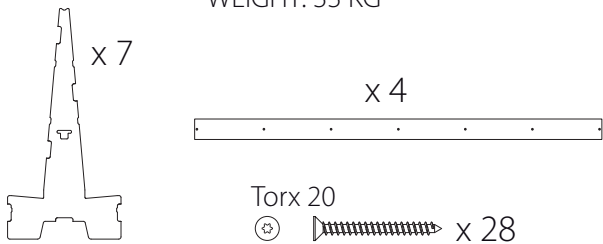
**SG60.6.300 / 6 uprights**

(\*) Load needs to be equally distributed over all vertical uprights of the rack



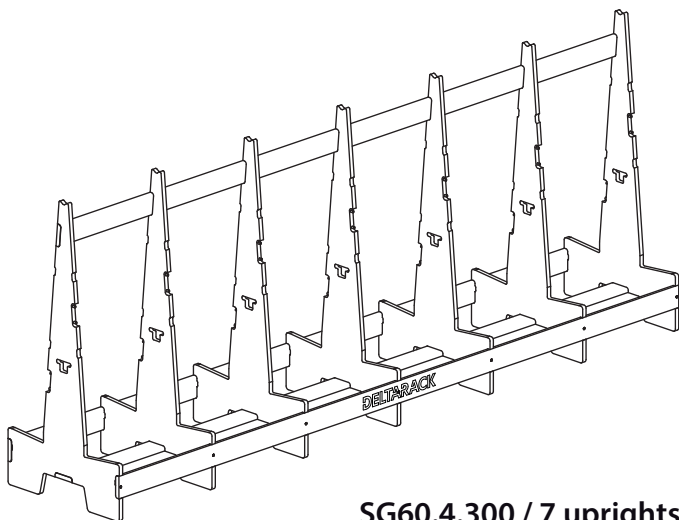
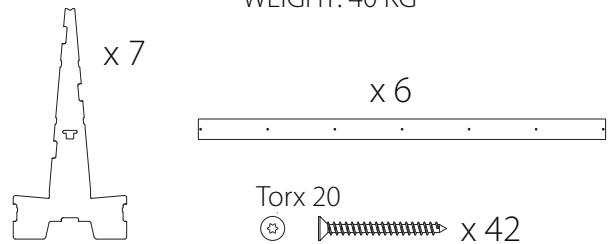
**LIMITED USE**

WEIGHT: 33 KG

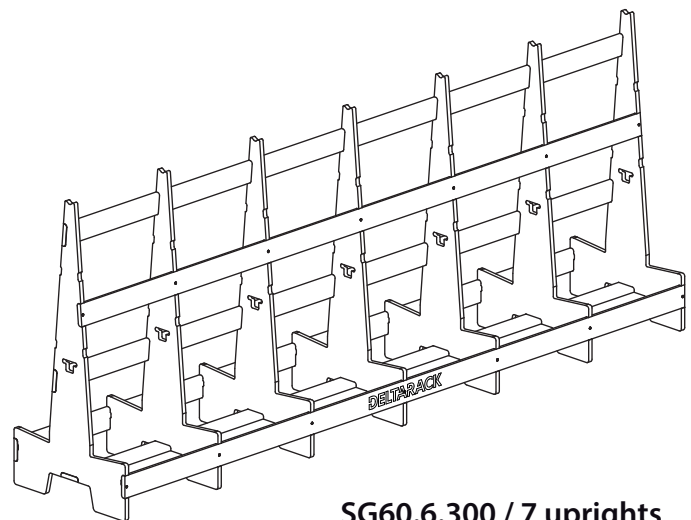


**EXTENSIVE USE**

WEIGHT: 40 KG



**SG60.4.300 / 7 uprights**



**SG60.6.300 / 7 uprights**

(\*) Load needs to be equally distributed over all vertical uprights of the rack