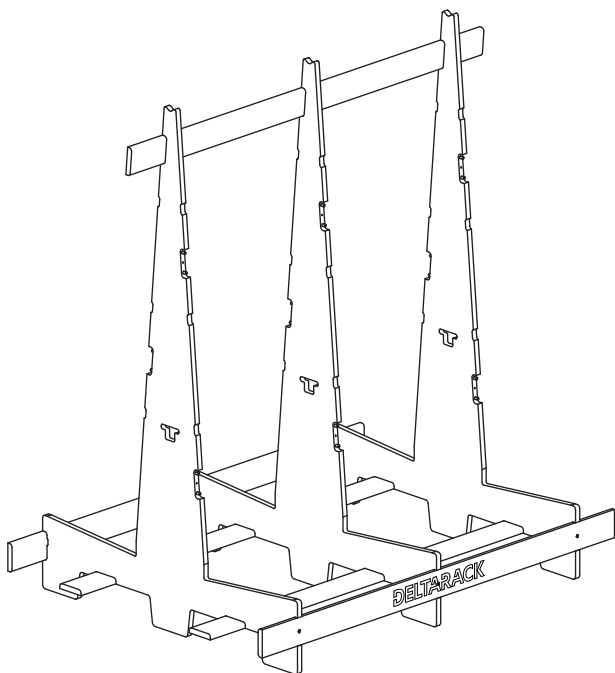
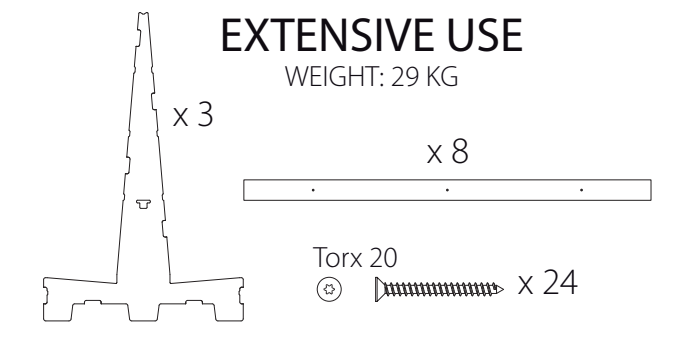
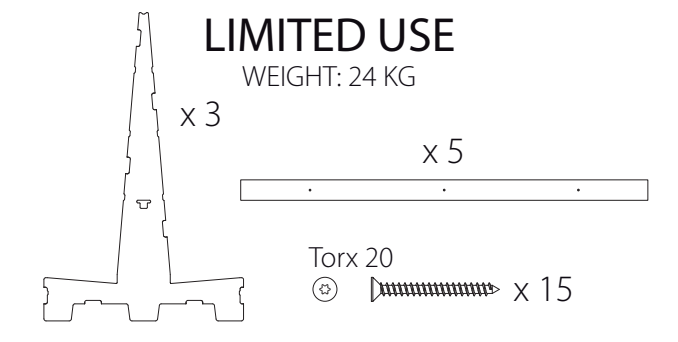
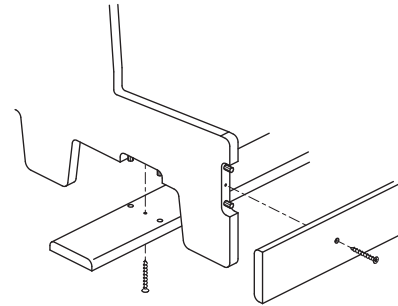
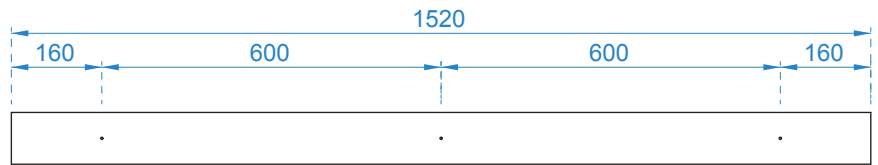
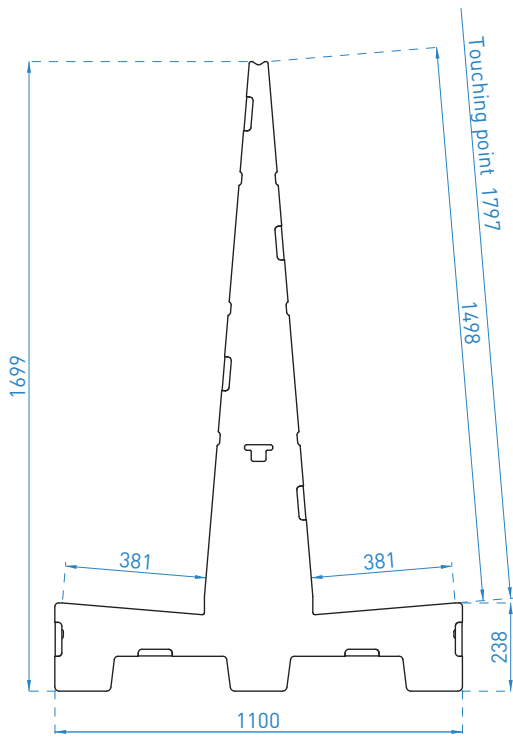


Assembly Guidelines

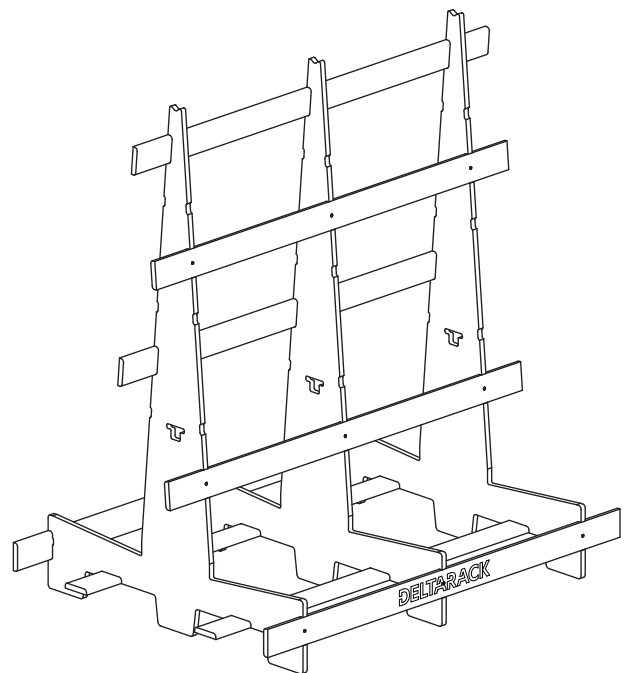
SR110.152/ 3 Uprights

SR110.152/ 4 Uprights

SR110.152/ 5 Uprights

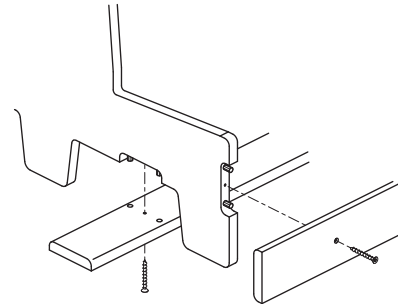
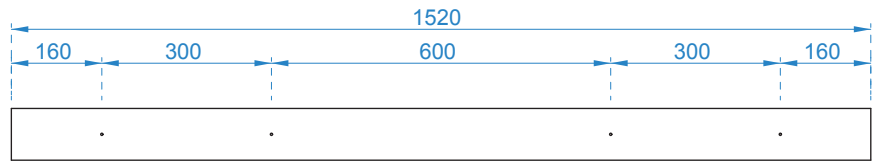
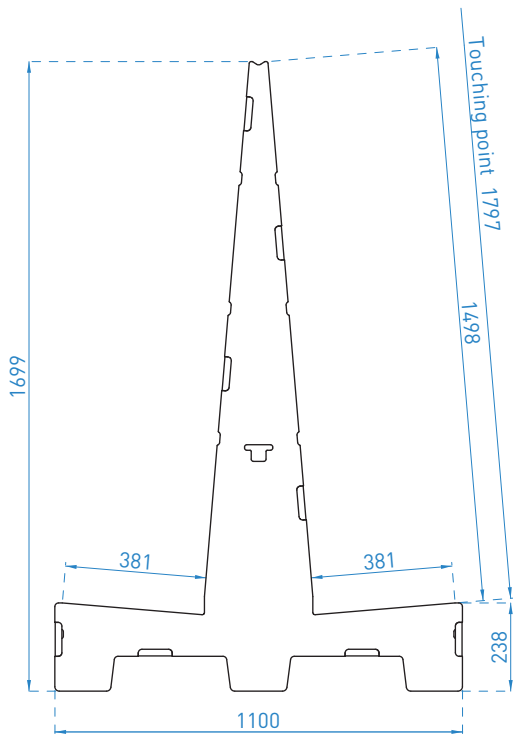


SR110.5.152 / 3 uprights



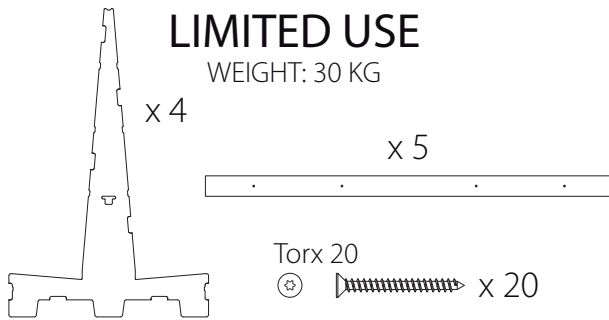
SR110.8.152 / 3 uprights

(*) Load needs to be equally distributed over all vertical uprights of the rack



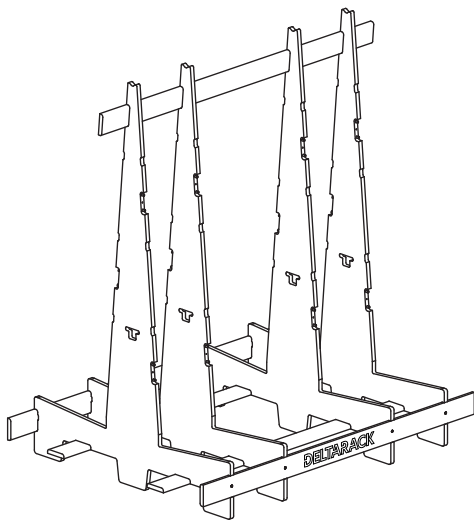
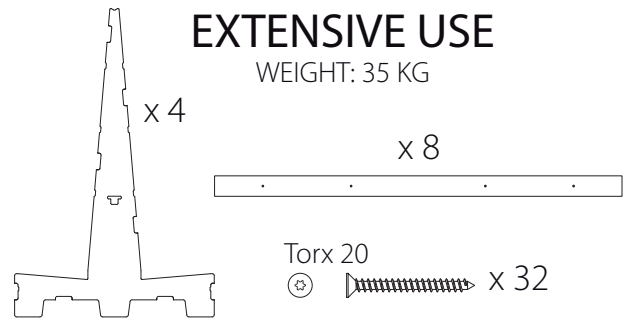
LIMITED USE

WEIGHT: 30 KG

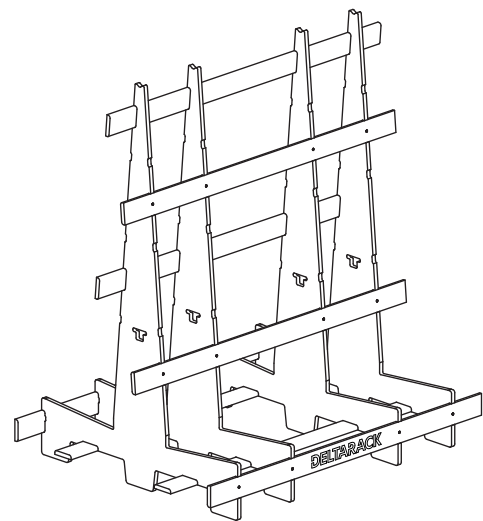


EXTENSIVE USE

WEIGHT: 35 KG

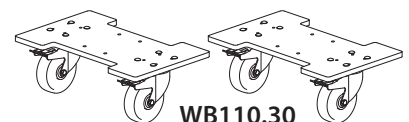


SR110.5.152 / 4 uprights



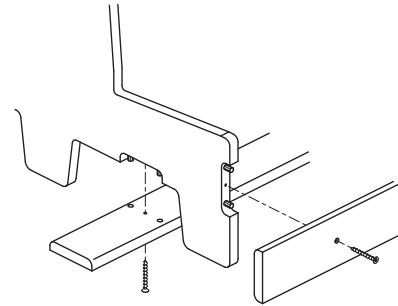
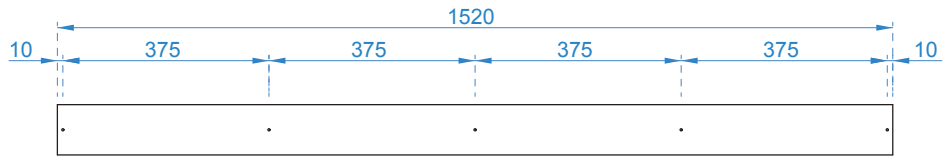
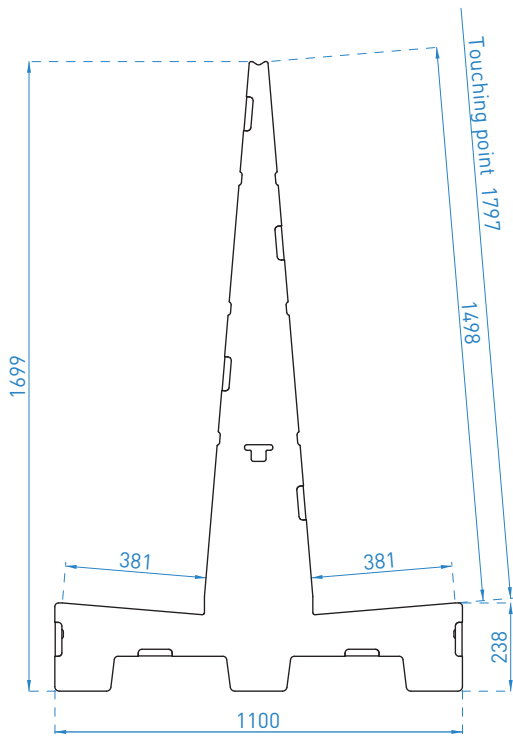
SR110.8.152 / 4 uprights

**Optional
Wheelboard
kit**



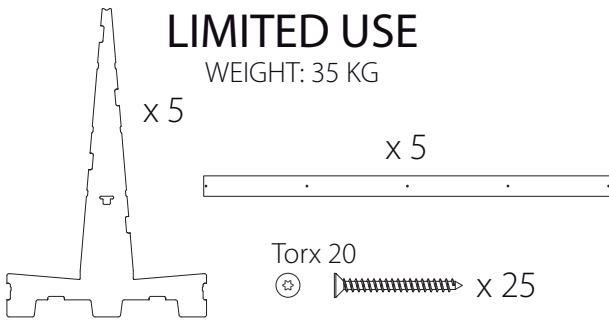
WB110.30

(*) Load needs to be equally distributed over all vertical uprights of the rack



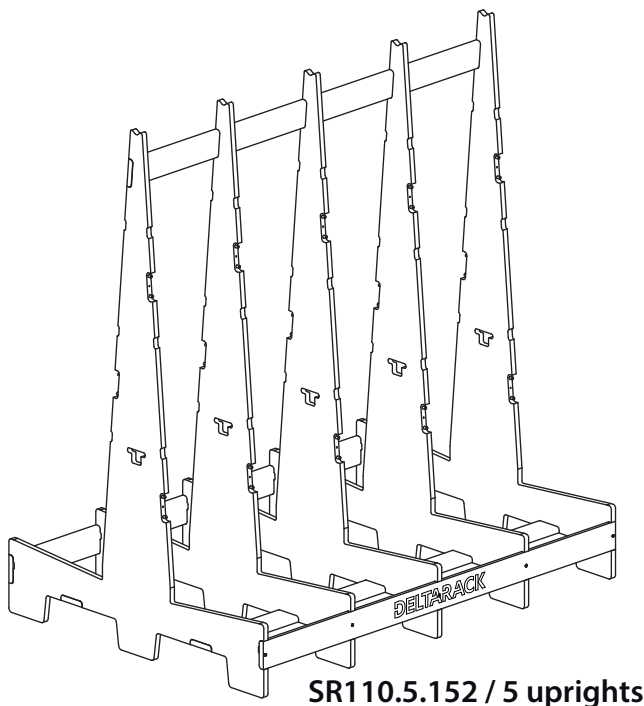
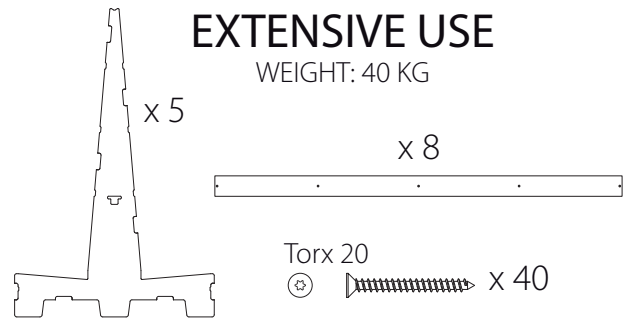
LIMITED USE

WEIGHT: 35 KG

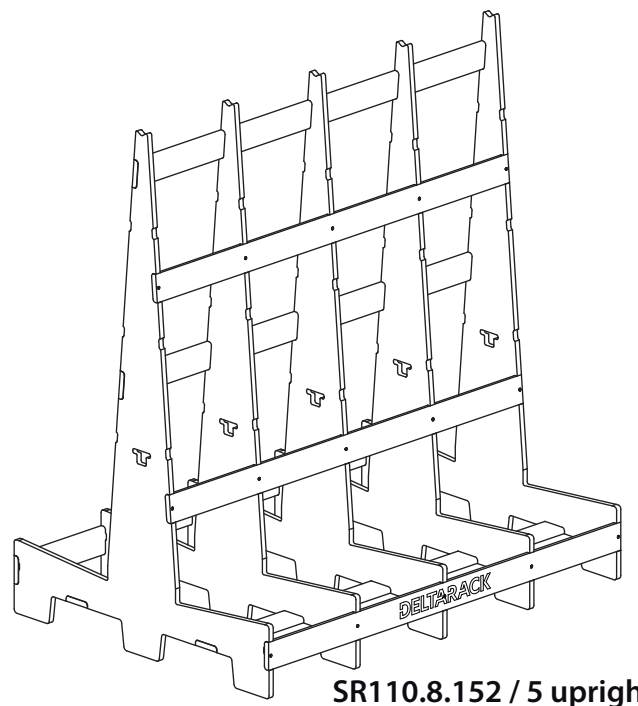


EXTENSIVE USE

WEIGHT: 40 KG



SR110.5.152 / 5 uprights



SR110.8.152 / 5 uprights

(*) Load needs to be equally distributed over all vertical uprights of the rack