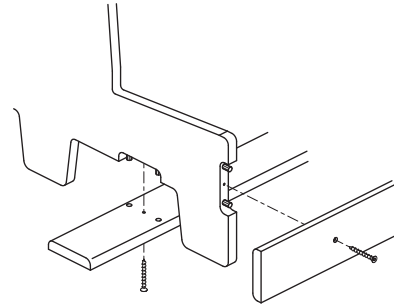
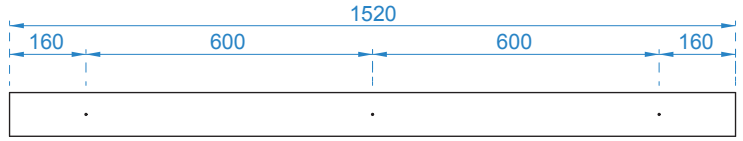
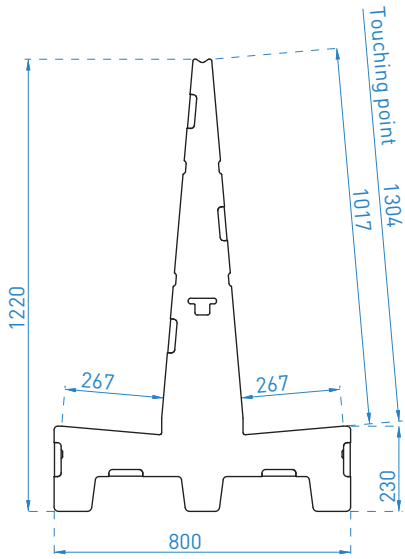


Assembly Guidelines

SG80.152/ 3 Uprights

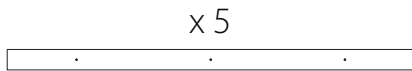
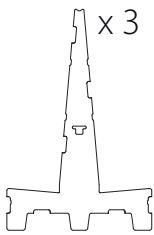
SG80.152/ 4 Uprights

SG80.152/ 5 Uprights



LIMITED USE

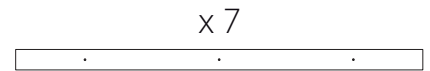
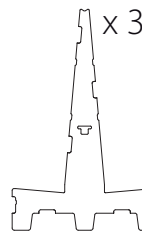
WEIGHT: 18 KG



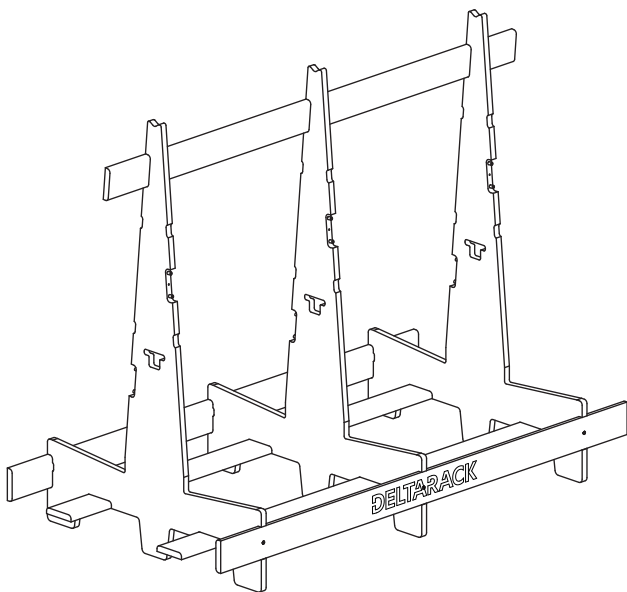
Torx 20
⊕  x 15

EXTENSIVE USE

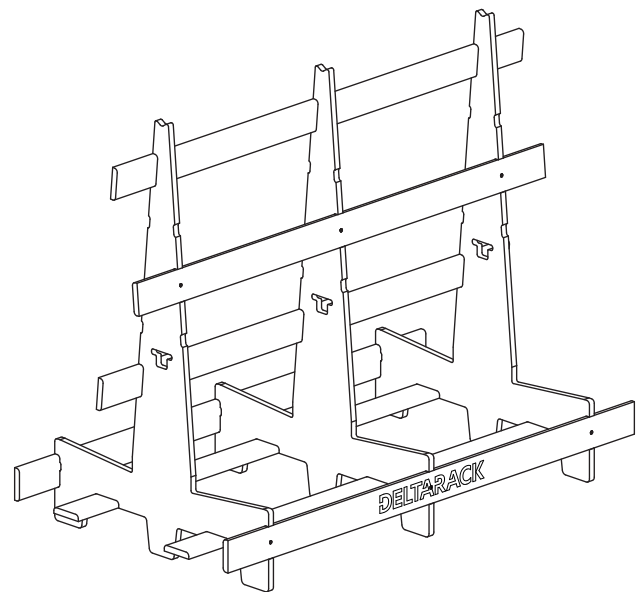
WEIGHT: 22 KG



Torx 20
⊕  x 21

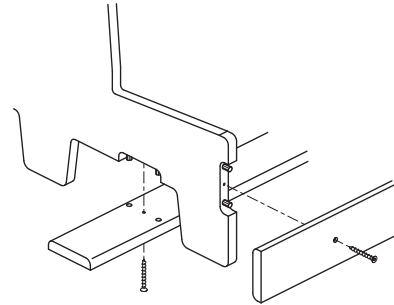
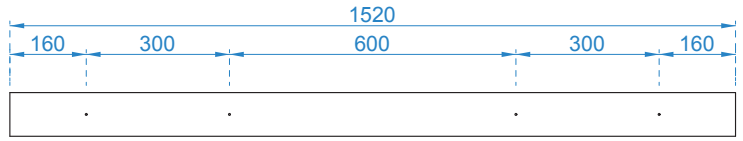
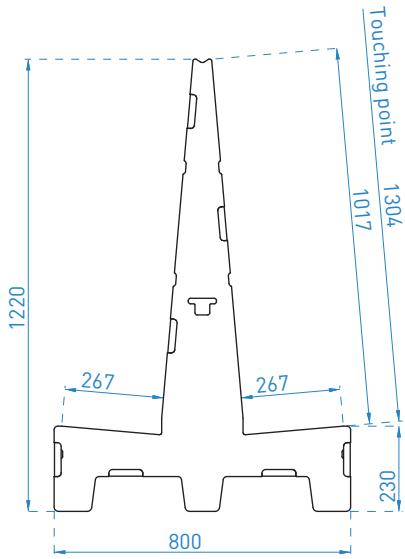


SG80.5.152 / 3 uprights



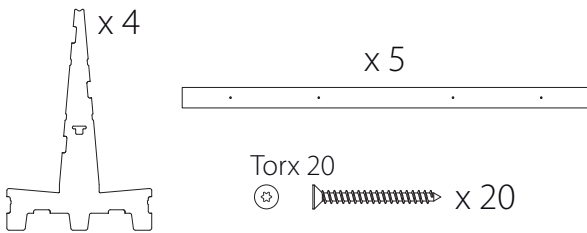
SG80.7.152 / 3 uprights

(*) Load needs to be equally distributed over all vertical uprights of the rack



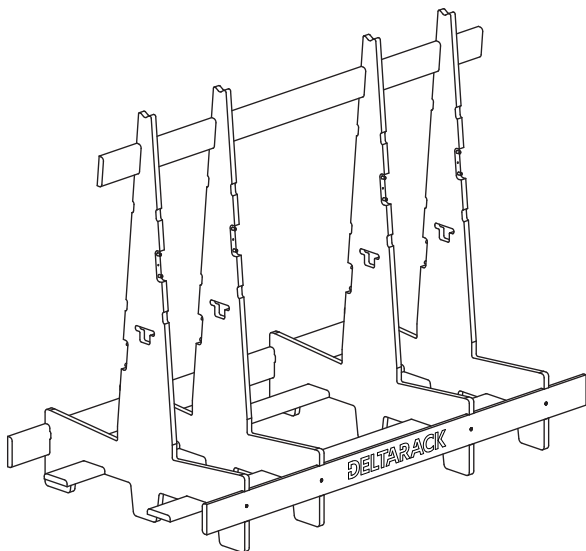
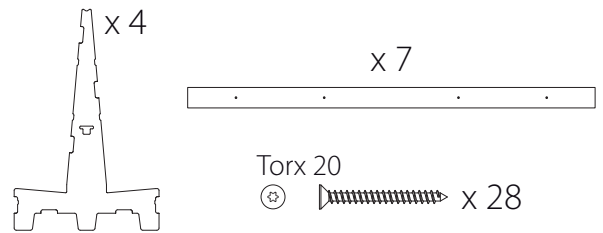
LIMITED USE

WEIGHT: 22 KG

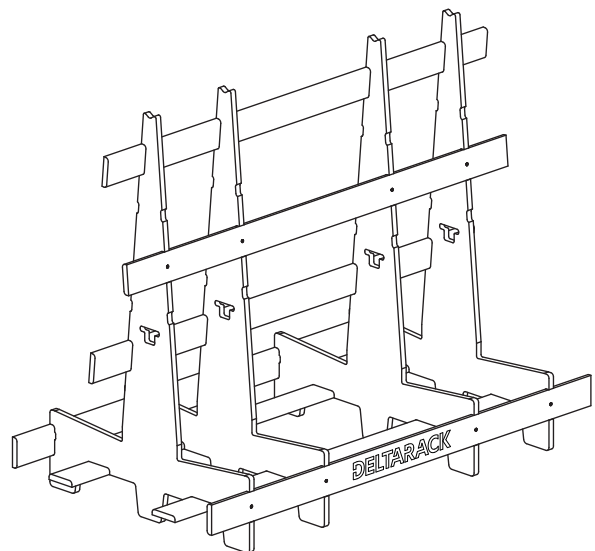


EXTENSIVE USE

WEIGHT: 25 KG

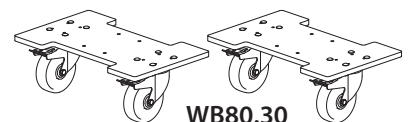


SG80.5.152 / 5 uprights

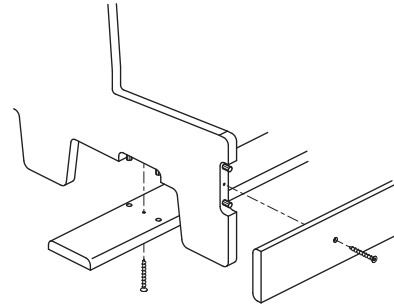
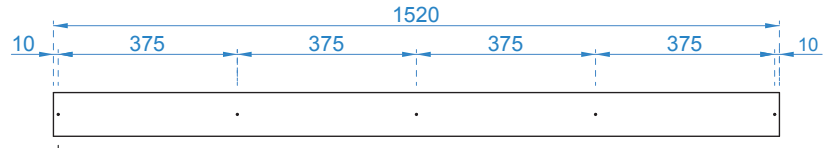
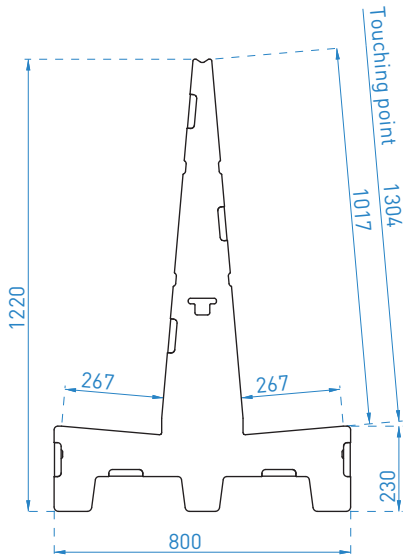


SG80.7.152 / 5 uprights

**Optional
Wheelboard
kit**

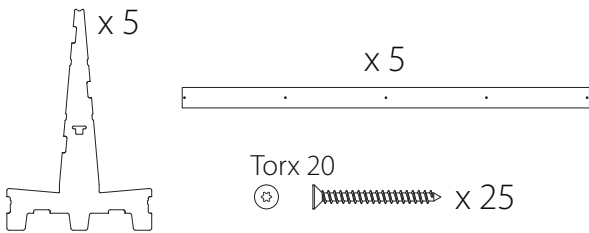


(*) Load needs to be equally distributed over all vertical uprights of the rack



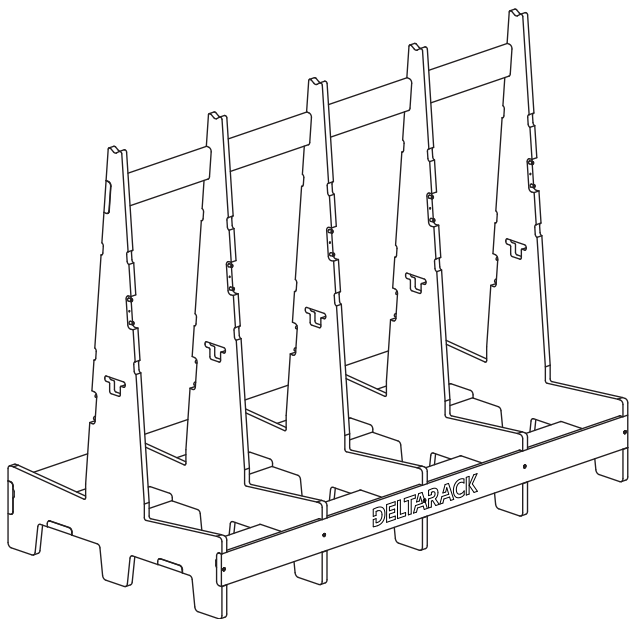
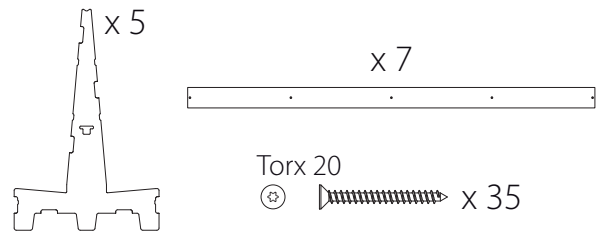
LIMITED USE

WEIGHT: 25 KG

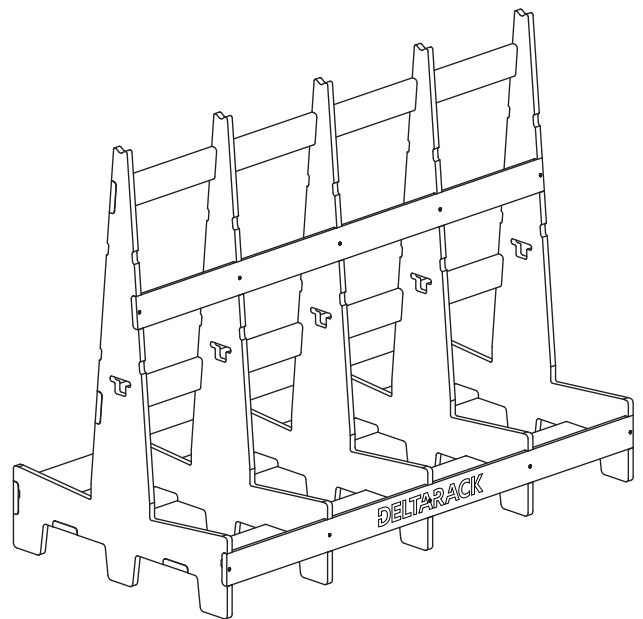


EXTENSIVE USE

WEIGHT: 28 KG



SG80.5.152 / 5 uprights



SG80.7.152 / 5 uprights

(*) Load needs to be equally distributed over all vertical uprights of the rack