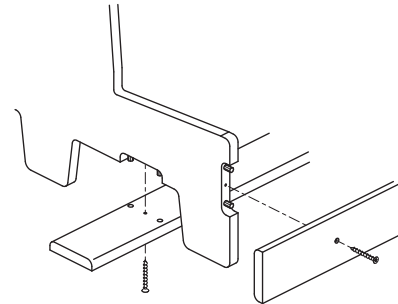
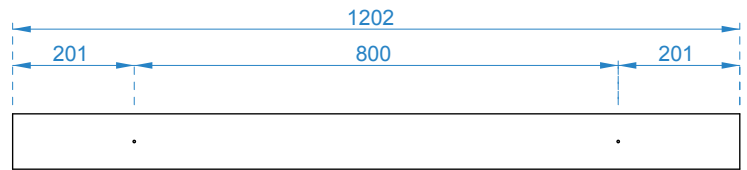
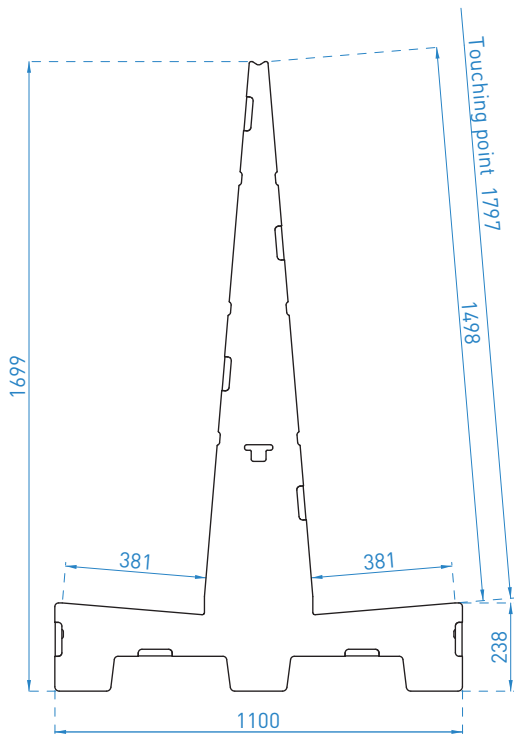


## Assembly Guidelines

**SR110.120/ 2 Uprights**

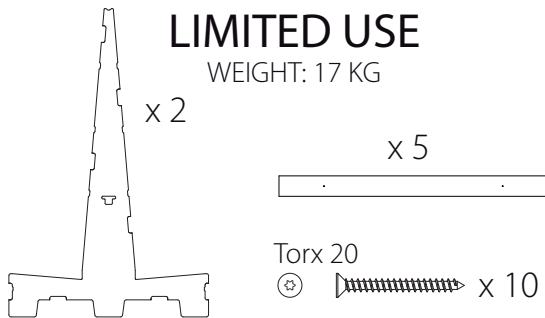
**SR110.120/ 3 Uprights**

**SR110.120/ 4 Uprights**



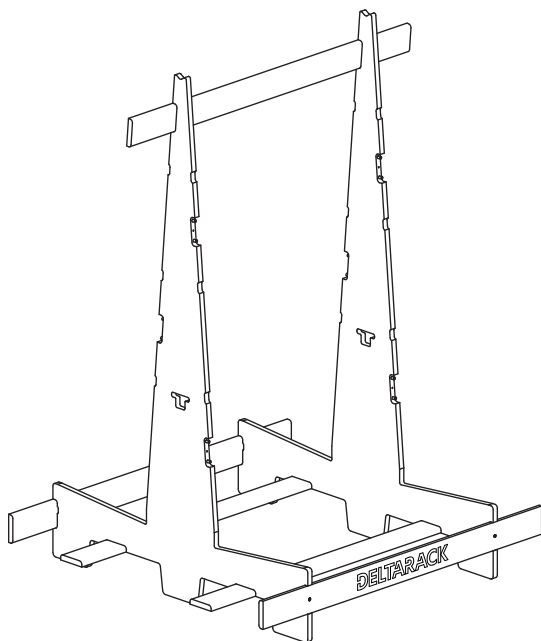
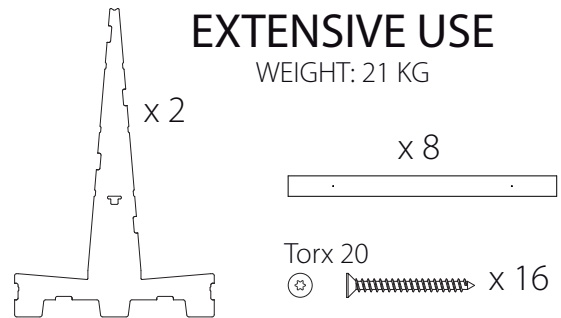
**LIMITED USE**

WEIGHT: 17 KG

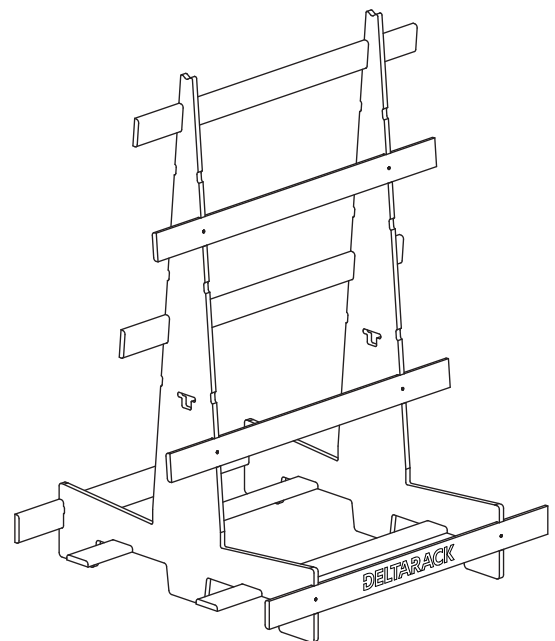


**EXTENSIVE USE**

WEIGHT: 21 KG



**SR110.5.120 / 2 uprights**

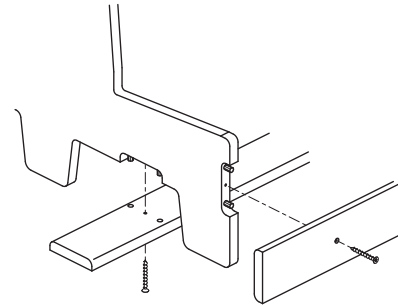
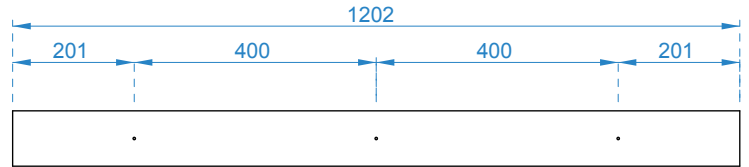
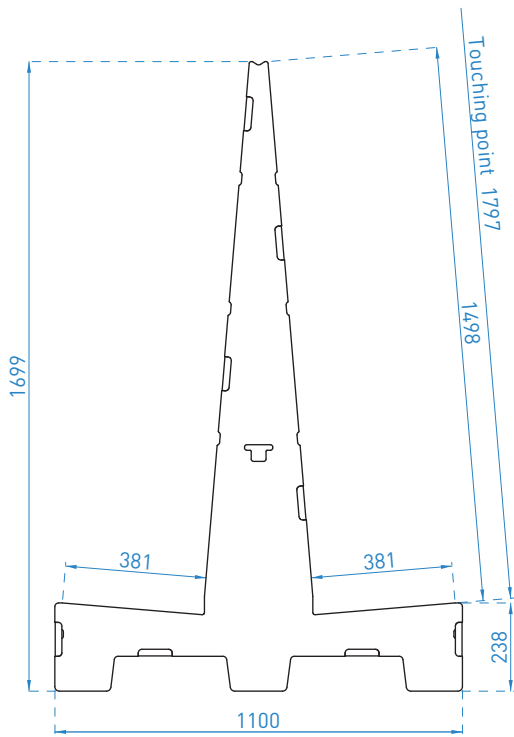


**SR110.8.120 / 2 uprights**

(\*) Load needs to be equally distributed over all vertical uprights of the rack

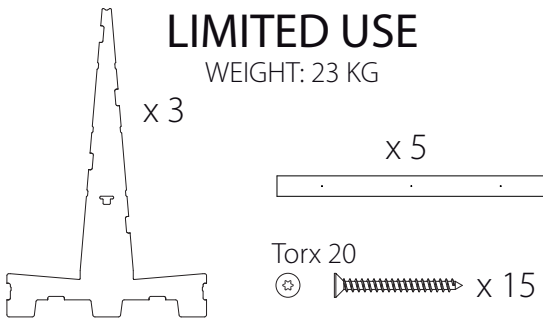
# SR110.120 / 3 uprights

Max recommended load capacity: 750 kg\*



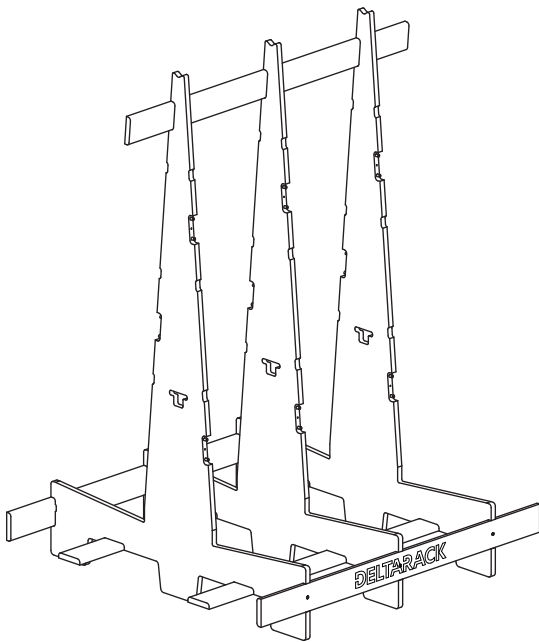
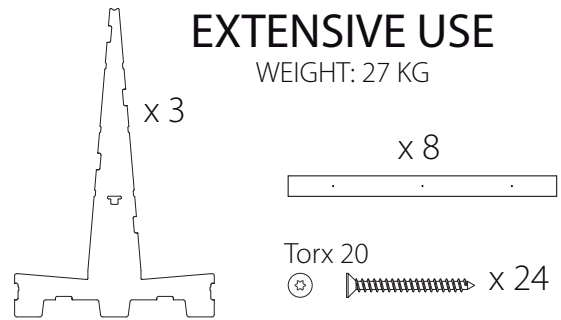
## LIMITED USE

WEIGHT: 23 KG

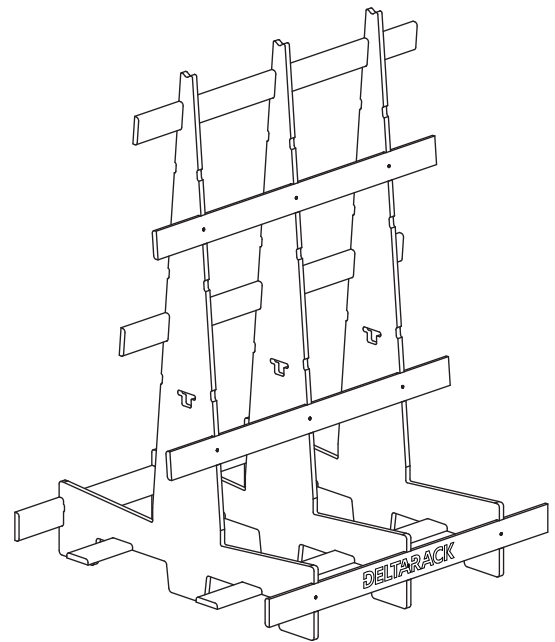


## EXTENSIVE USE

WEIGHT: 27 KG

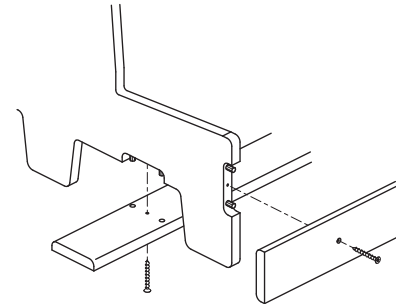
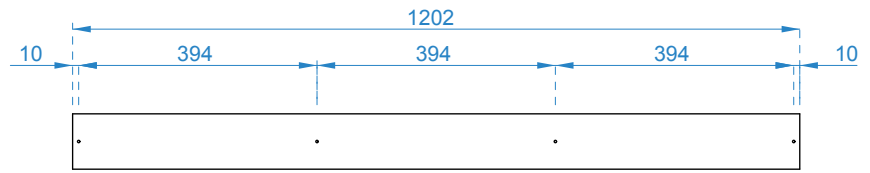
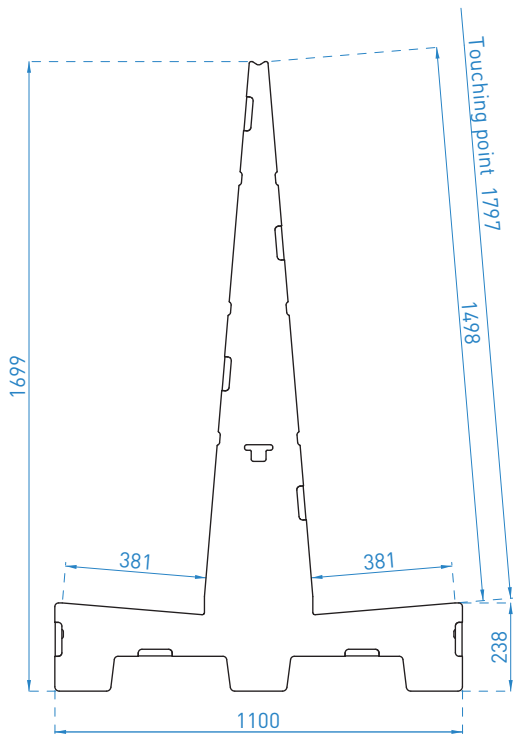


SR110.5.120 / 3 uprights



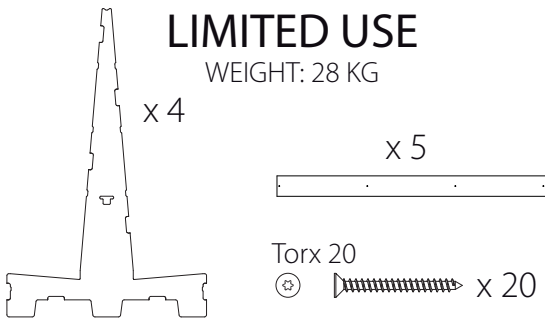
SR110.8.120 / 3 uprights

(\*) Load needs to be equally distributed over all vertical uprights of the rack



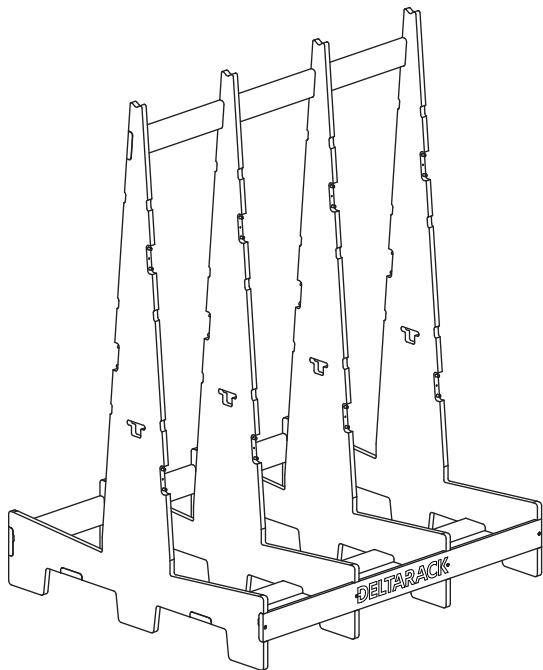
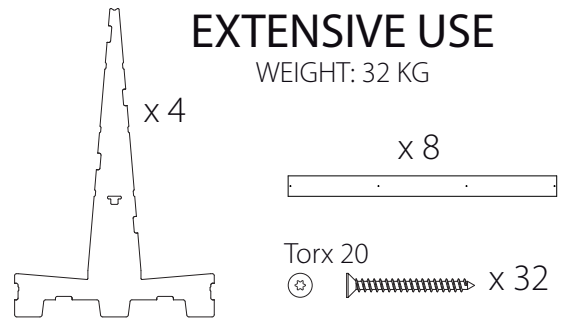
**LIMITED USE**

WEIGHT: 28 KG

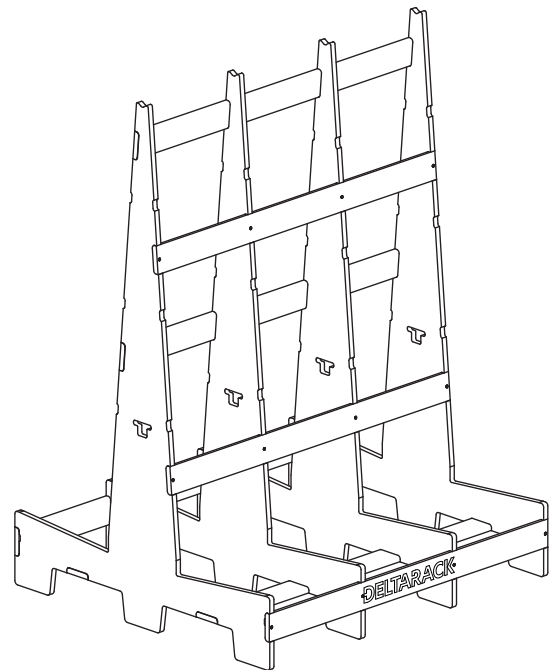


**EXTENSIVE USE**

WEIGHT: 32 KG



**SR110.5.120 / 4 uprights**



**SR110.8.120 / 4 uprights**

(\*) Load needs to be equally distributed over all vertical uprights of the rack