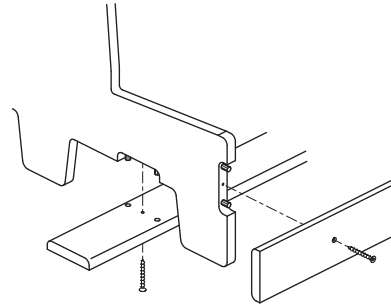
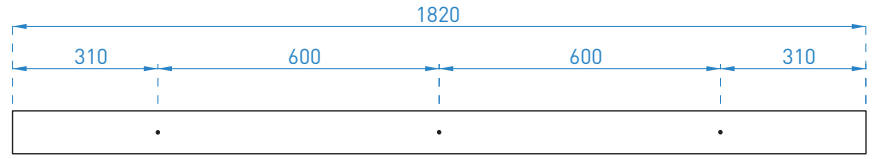
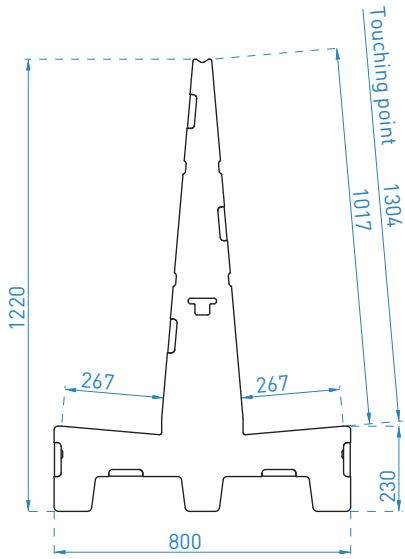


## Assembly Guidelines

**SG80.180/ 3 Uprights**

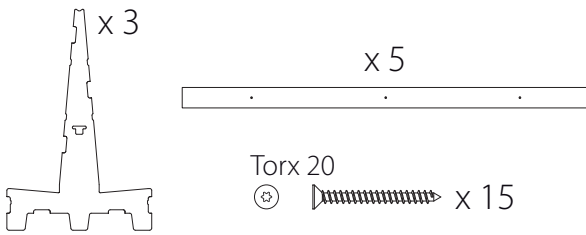
**SG80.180/ 4 Uprights**

**SG80.180/ 6 Uprights**



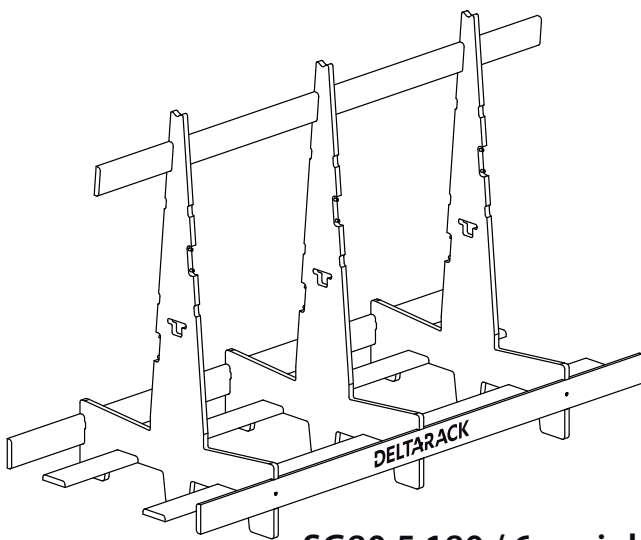
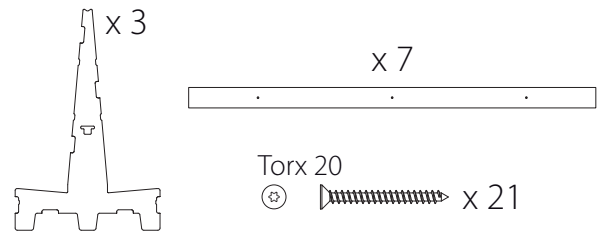
**LIMITED USE**

WEIGHT: 16,38 KG

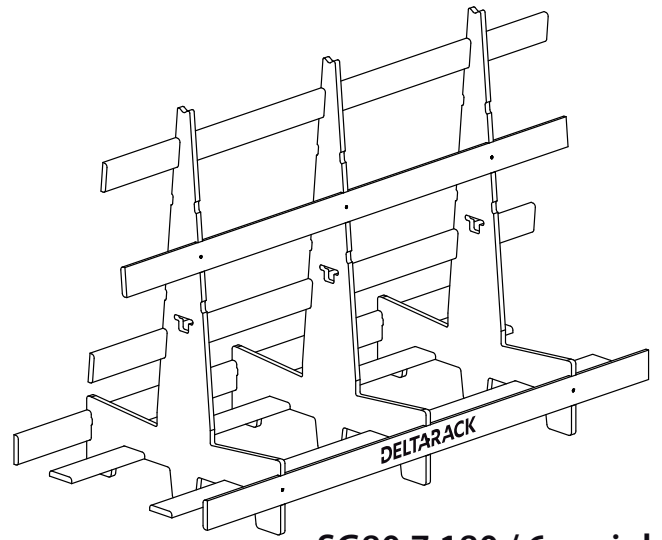


**EXTENSIVE USE**

WEIGHT: 20,34 KG

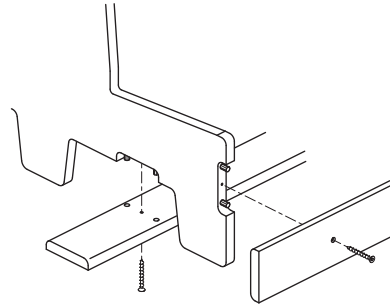
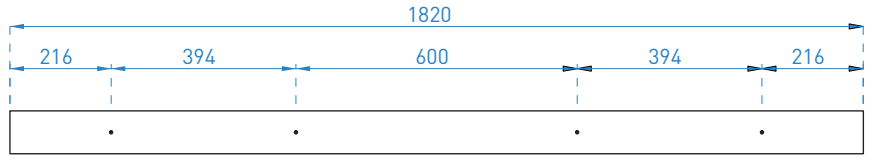
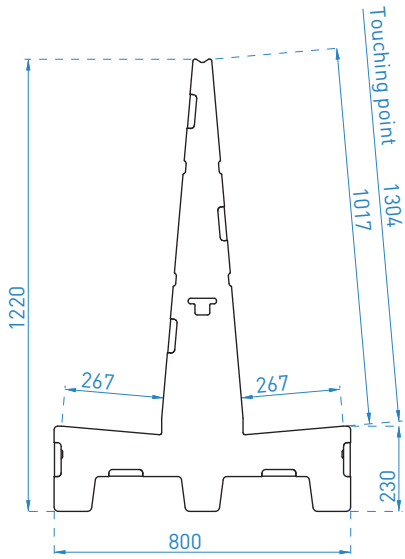


**SG80.5.180 / 6 uprights**



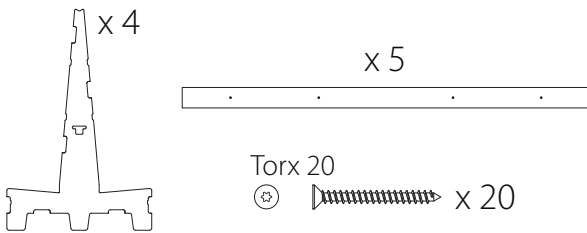
**SG80.7.180 / 6 uprights**

(\*) Load needs to be equally distributed over all vertical uprights of the rack



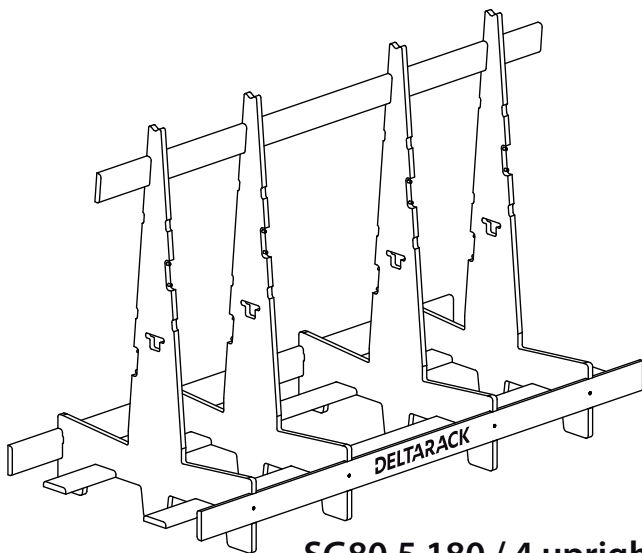
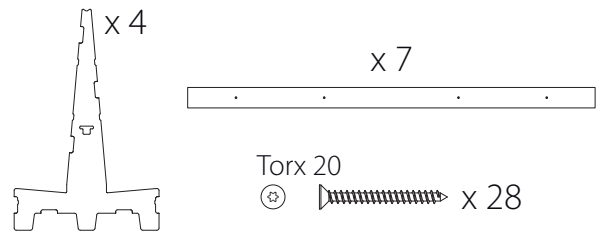
**LIMITED USE**

WEIGHT: 19,20 KG

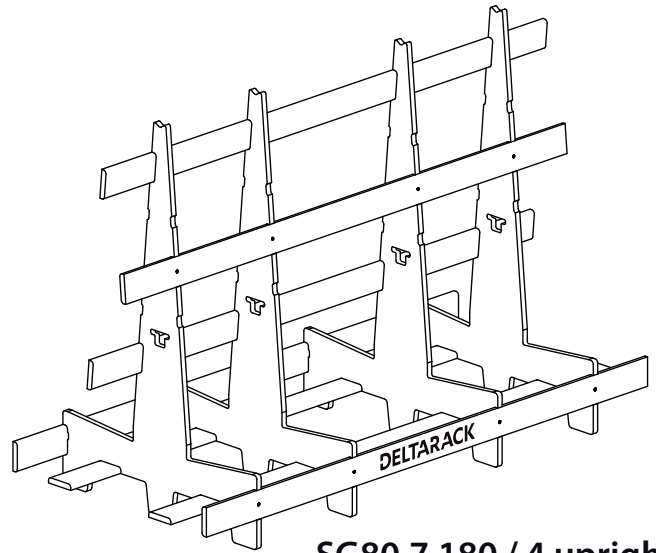


**EXTENSIVE USE**

WEIGHT: 23,16 KG

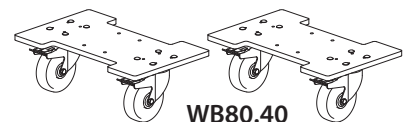


**SG80.5.180 / 4 uprights**



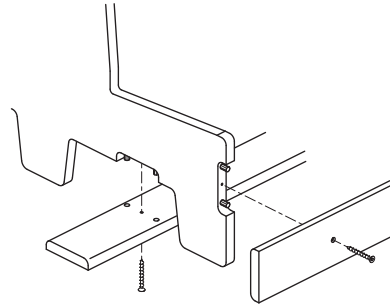
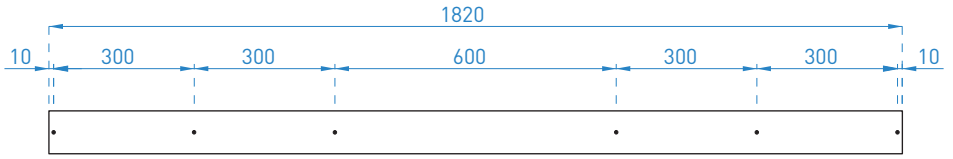
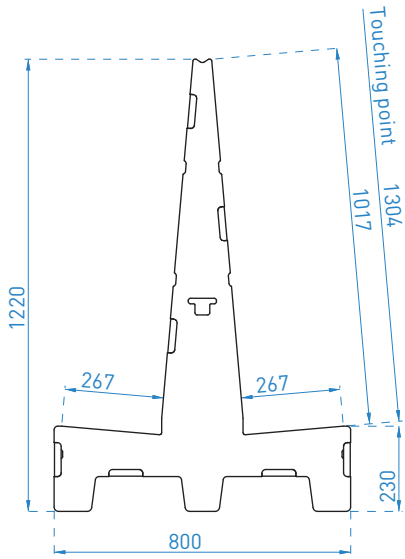
**SG80.7.180 / 4 uprights**

**Optional  
Wheelboard  
kit**



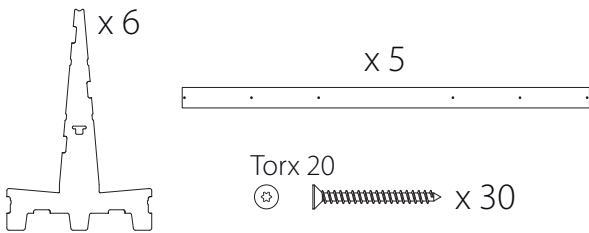
**WB80.40**

(\* ) Load needs to be equally distributed over all vertical uprights of the rack



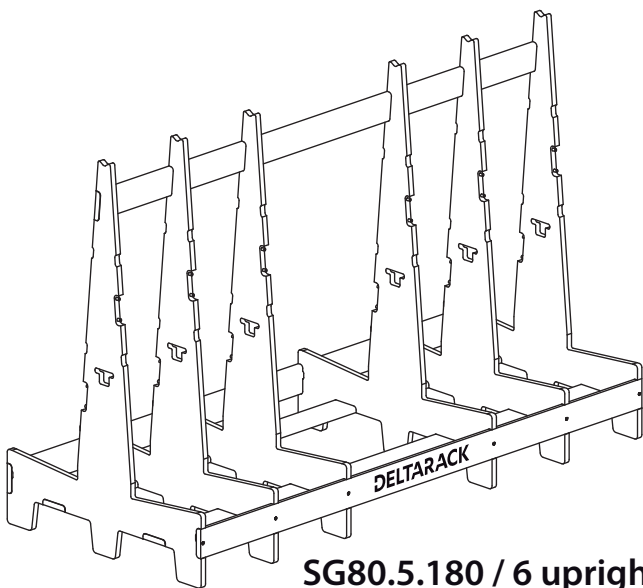
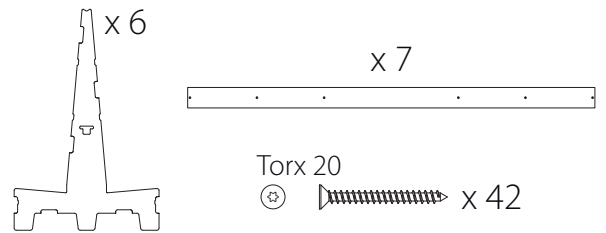
**LIMITED USE**

WEIGHT: 29 KG

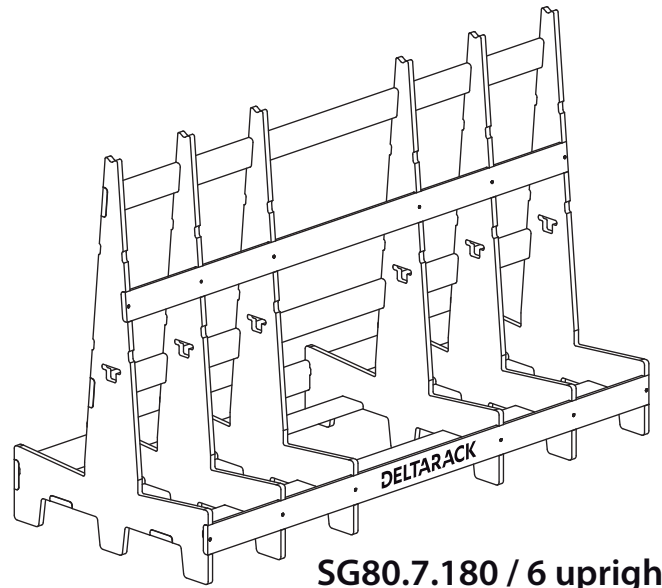


**EXTENSIVE USE**

WEIGHT: 33 KG

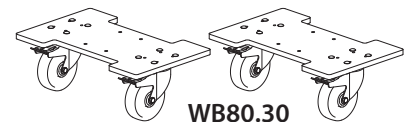


**SG80.5.180 / 6 uprights**



**SG80.7.180 / 6 uprights**

**Optional  
Wheelboard  
kit**



(\*) Load needs to be equally distributed over all vertical uprights of the rack