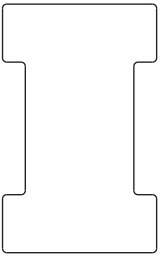

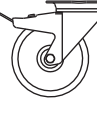
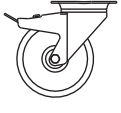
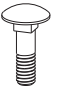


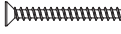
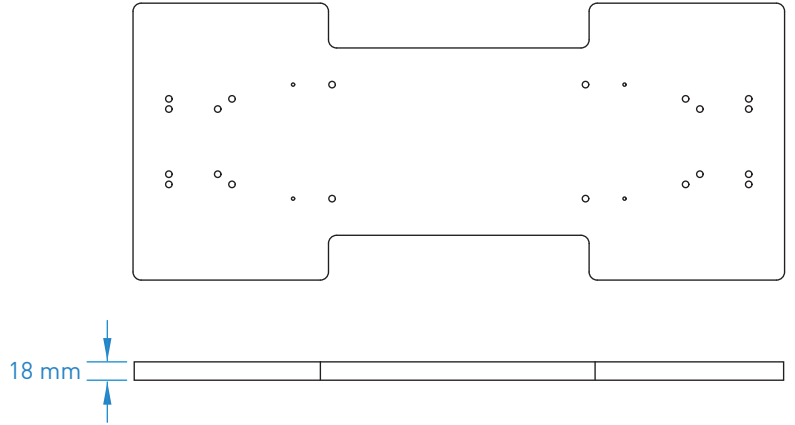


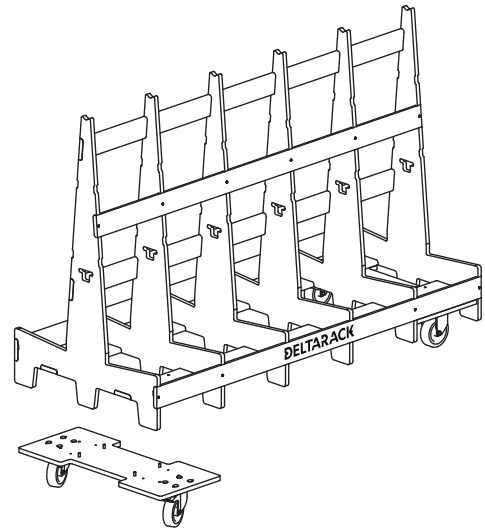
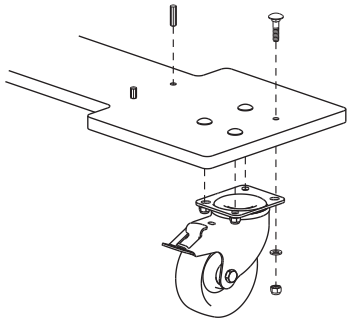
Table of contents:

		x 2			
x 2		x 2			
Variant		x 4			
	x 16		x 16		x 16
Torx 20		x 8			



2 Place Wheelboards underneath the Rack

1 Assemble Wheels to Wheelboard



3 OPTIONAL Fixed Assembly of Wheelboards

