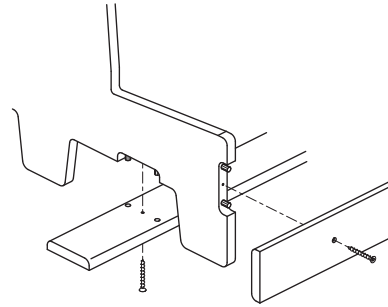
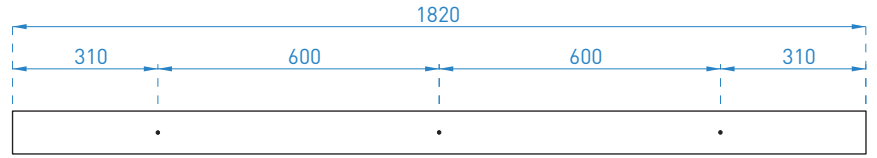
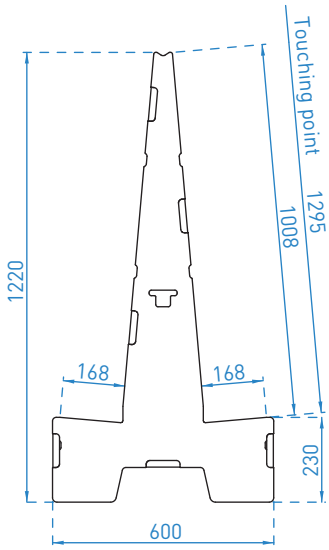


Assembly Guidelines

SG60.180/ 3 Uprights

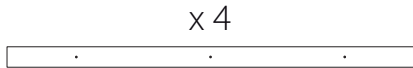
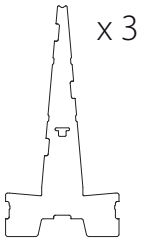
SG60.180/ 4 Uprights

SG60.180/ 6 Uprights



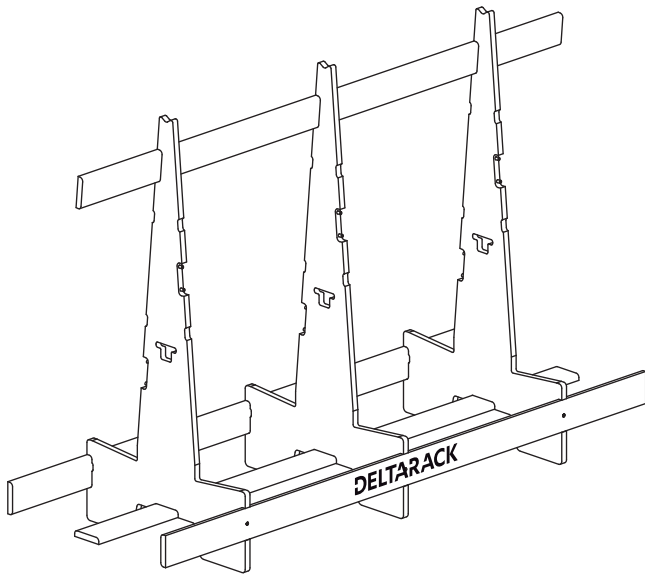
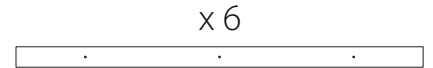
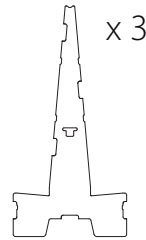
LIMITED USE

WEIGHT: 17 KG

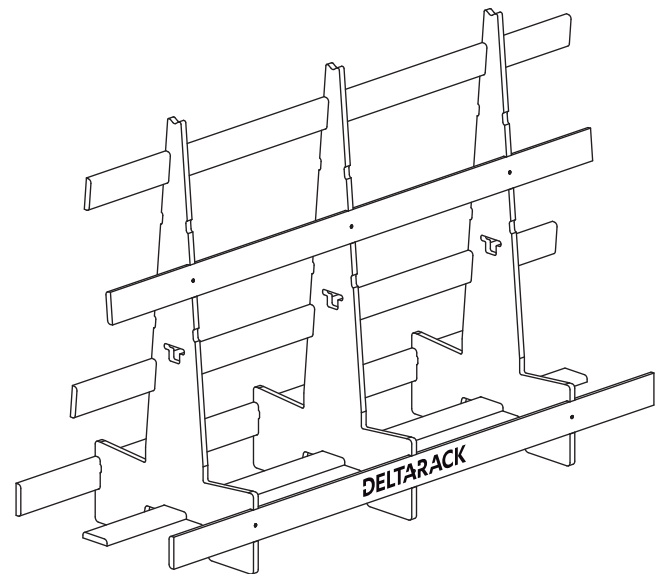


EXTENSIVE USE

WEIGHT: 21 KG

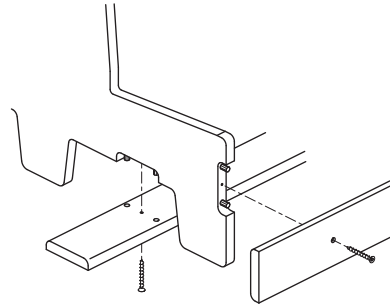
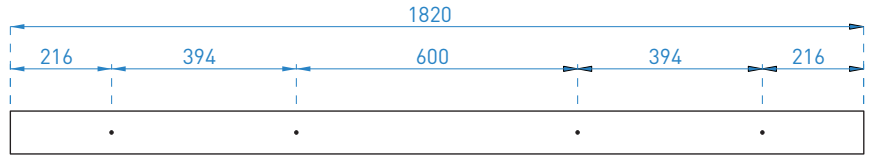
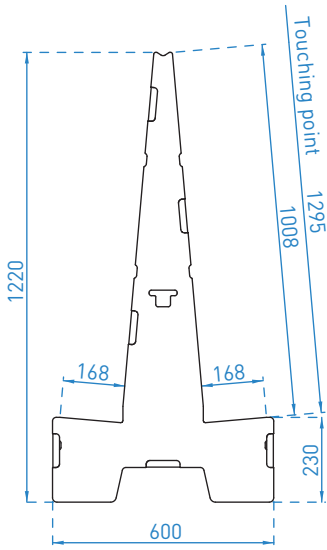


SG60.4.180 / 3 uprights



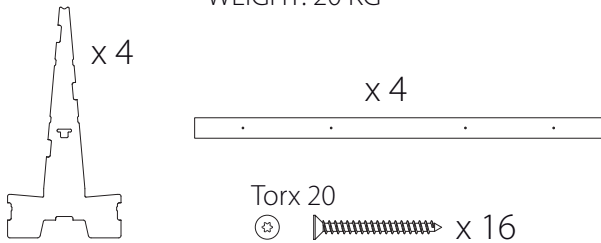
SG60.6.180 / 3 uprights

(*) Load needs to be equally distributed over all vertical uprights of the rack



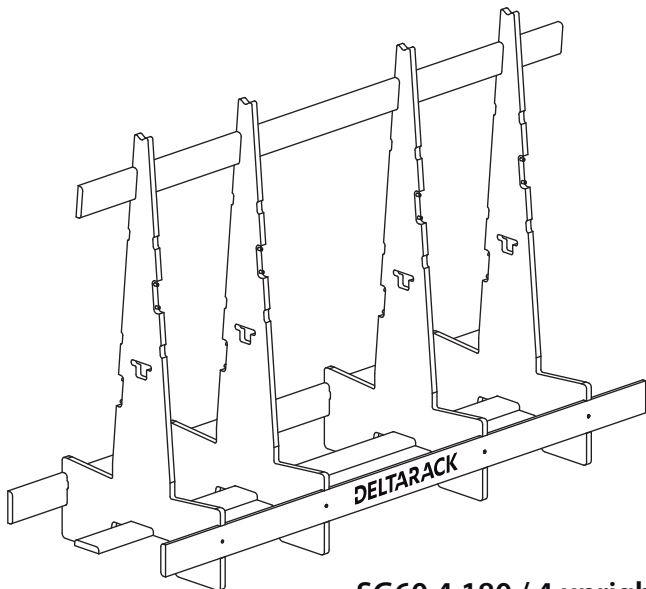
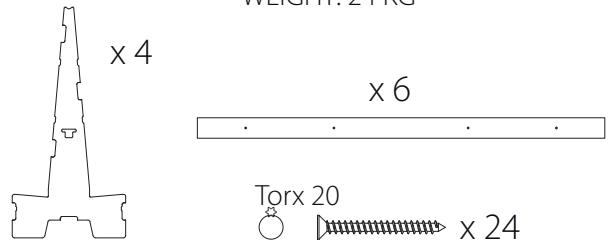
LIMITED USE

WEIGHT: 20 KG

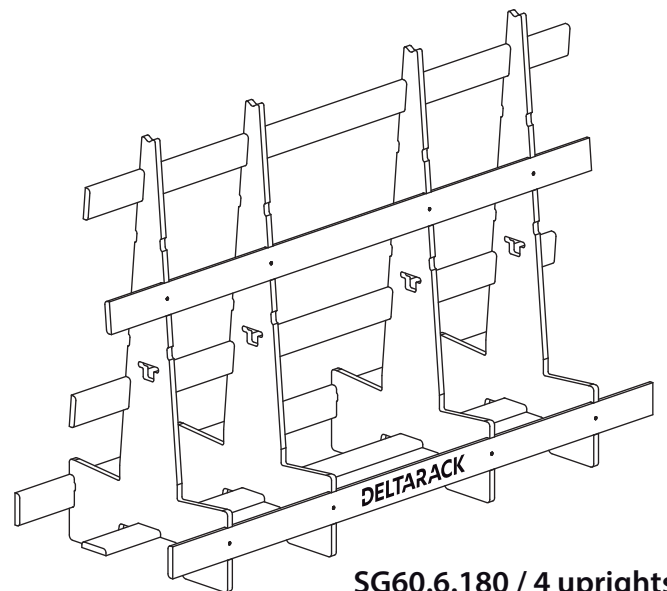


EXTENSIVE USE

WEIGHT: 24 KG

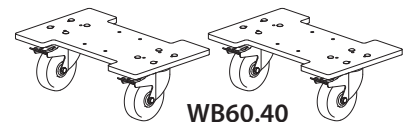


SG60.4.180 / 4 uprights

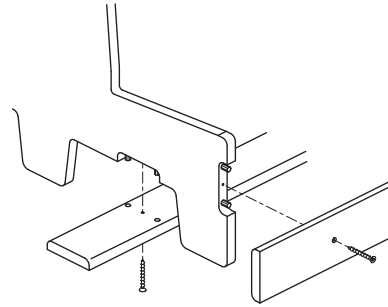
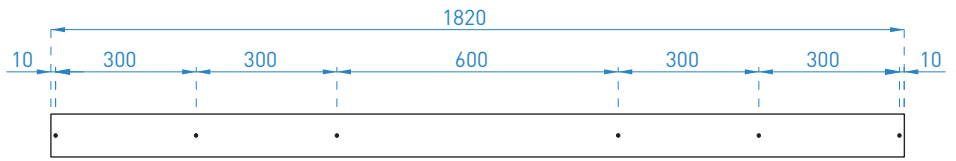
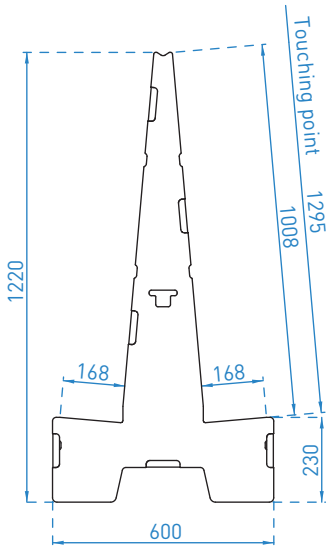


SG60.6.180 / 4 uprights

**Optional
Wheelboard
kit**

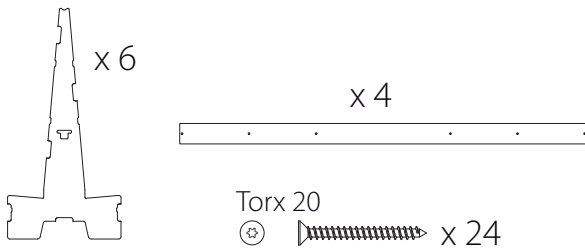


(*) Load needs to be equally distributed over all vertical uprights of the rack



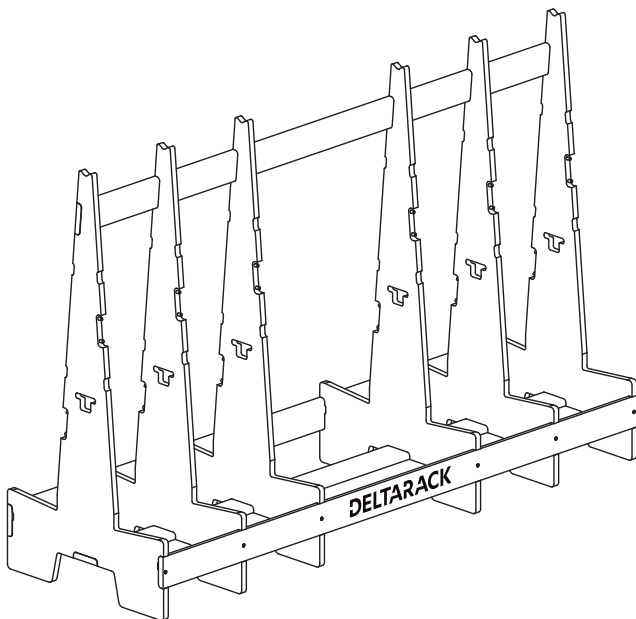
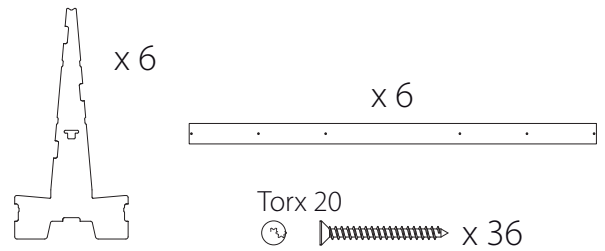
LIMITED USE

WEIGHT: 25 KG

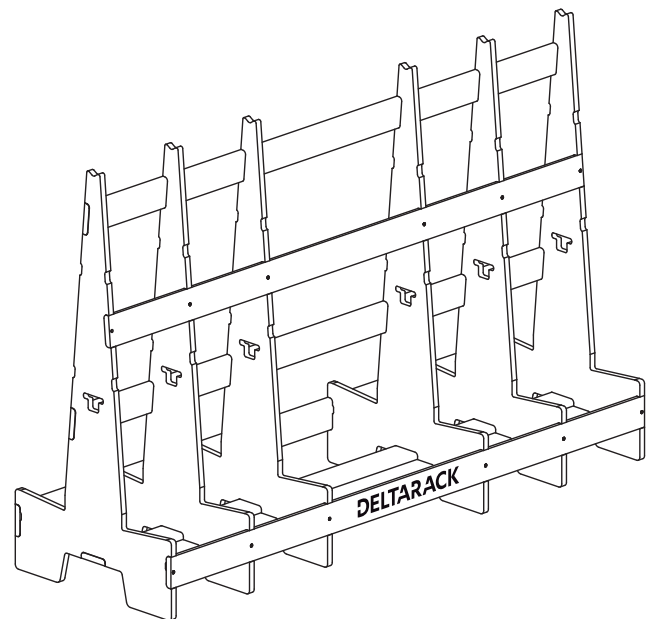


EXTENSIVE USE

WEIGHT: 29 KG



SG60.4.180 / 6 uprights



SG60.6.180 / 6 uprights

(*) Load needs to be equally distributed over all vertical uprights of the rack