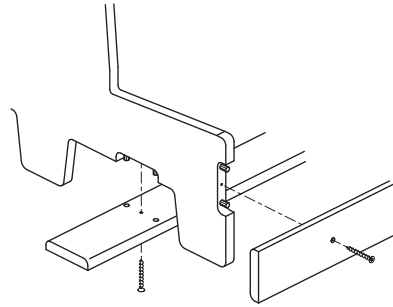
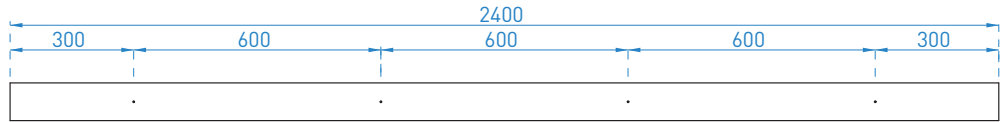
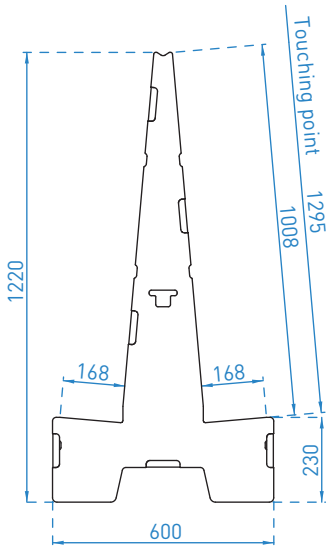


Assembly Guidelines

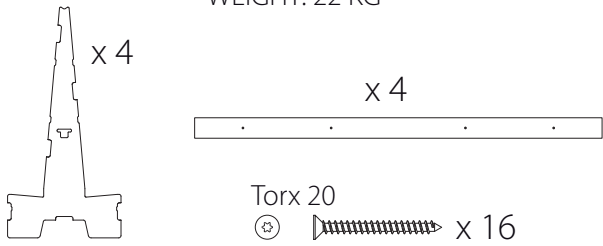
SG60.240/ 4 Uprights

SG60.240/ 6 Uprights



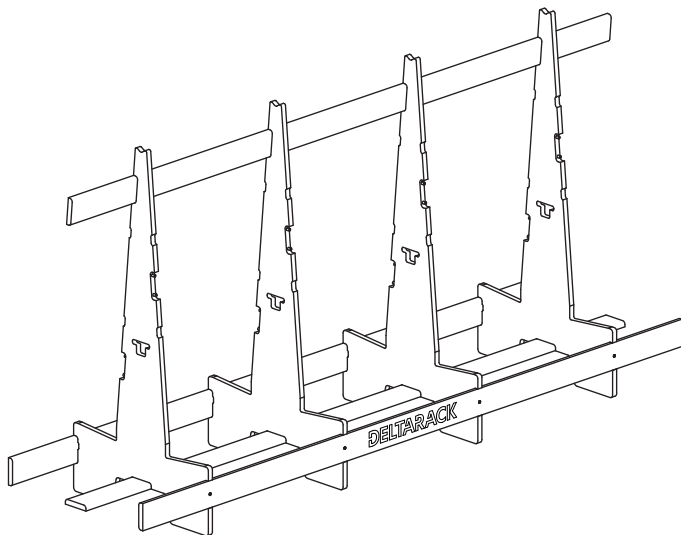
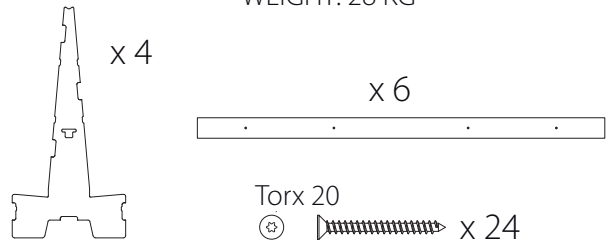
LIMITED USE

WEIGHT: 22 KG

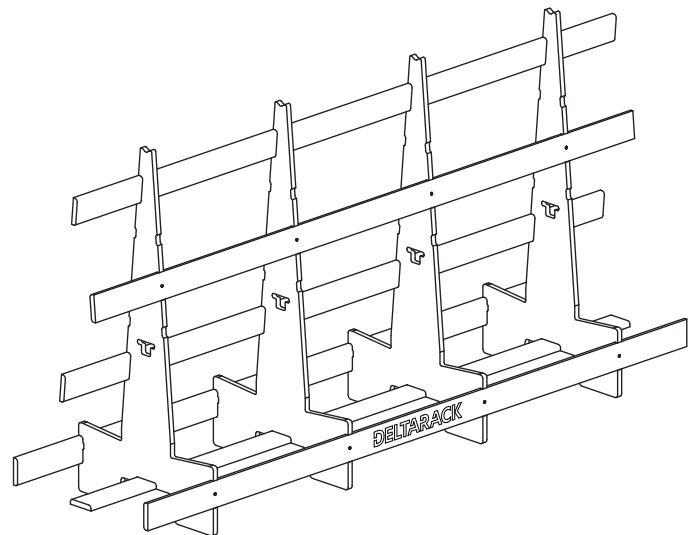


EXTENSIVE USE

WEIGHT: 28 KG

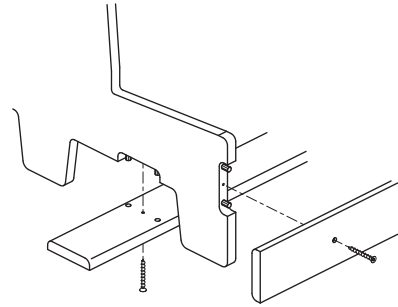
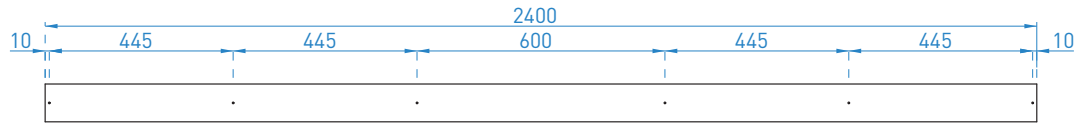
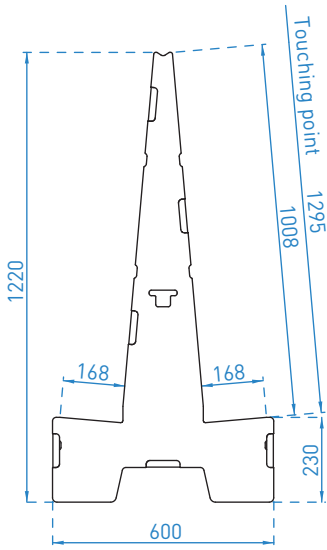


SG60.4.240 / 4 uprights



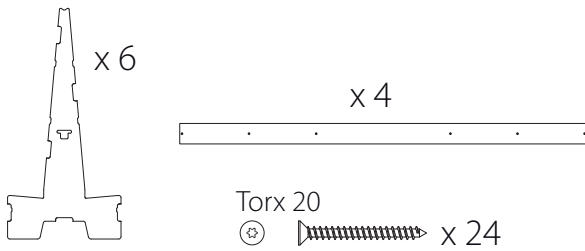
SG60.6.240 / 4 uprights

(*) Load needs to be equally distributed over all vertical uprights of the rack



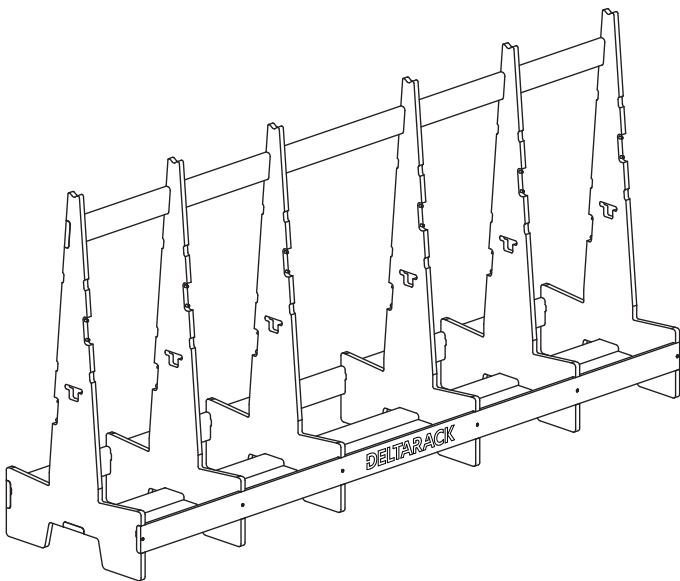
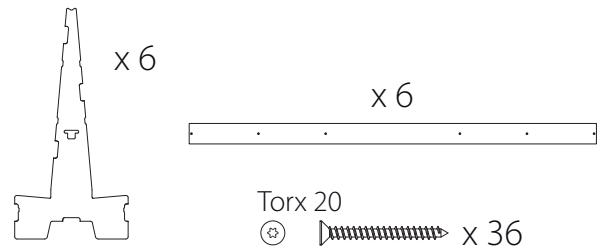
LIMITED USE

WEIGHT: 28 KG

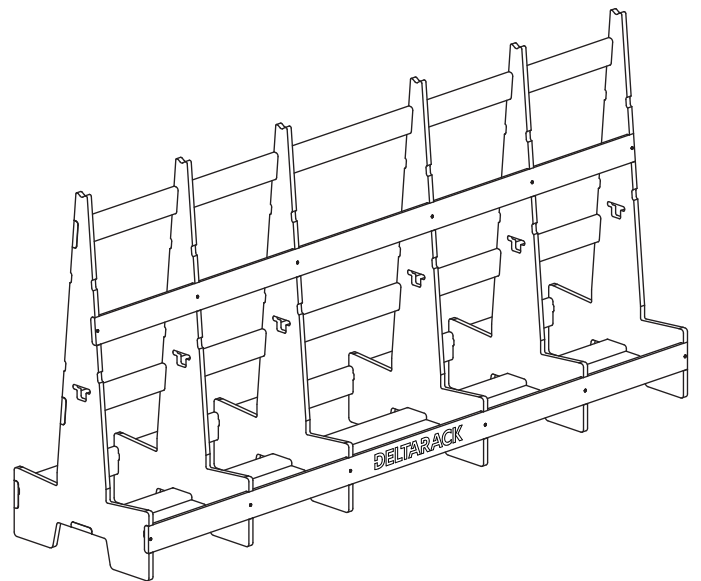


EXTENSIVE USE

WEIGHT: 33 KG



SG60.4.240 / 6 uprights



SG60.6.240 / 6 uprights

(*) Load needs to be equally distributed over all vertical uprights of the rack