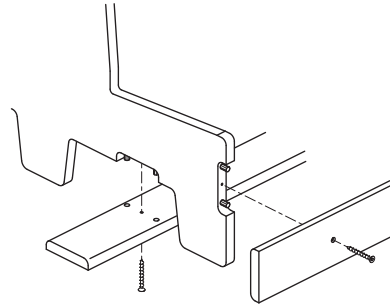
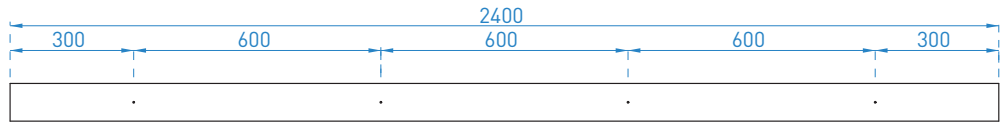
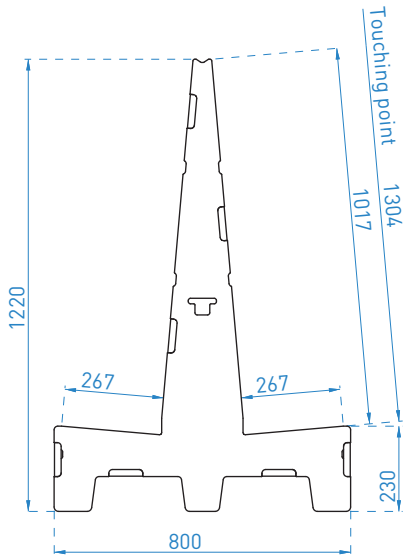


## Assembly Guidelines

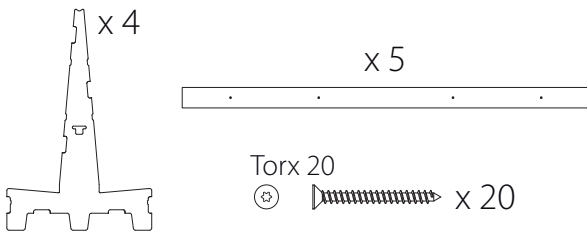
**SG80.240/ 4 Uprights**

**SG80.240/ 6 Uprights**



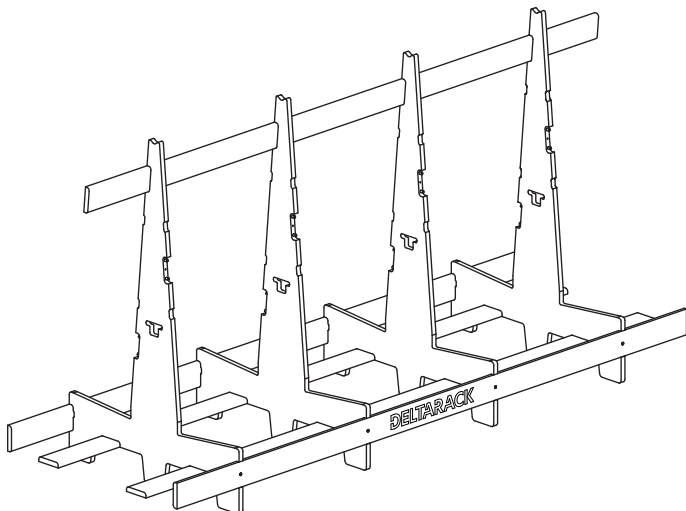
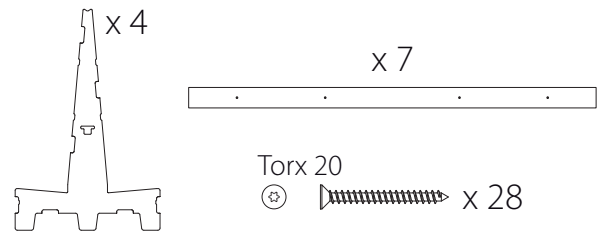
**LIMITED USE**

WEIGHT: 26 KG

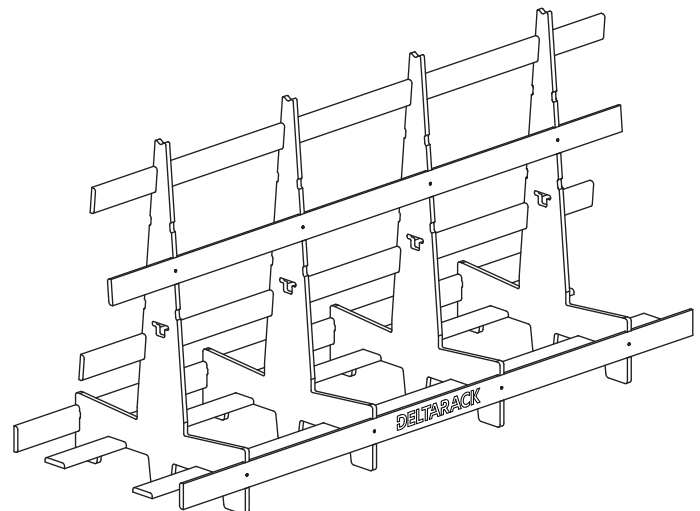


**EXTENSIVE USE**

WEIGHT: 32 KG

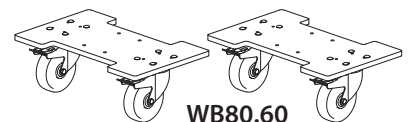


**SG80.5.240 / 4 uprights**

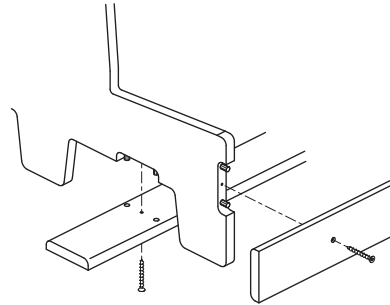
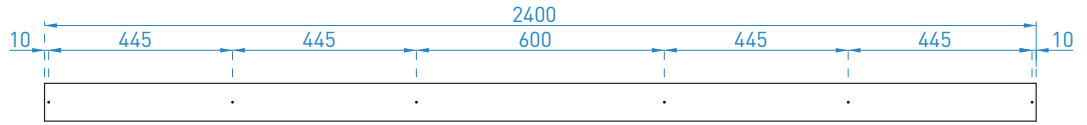
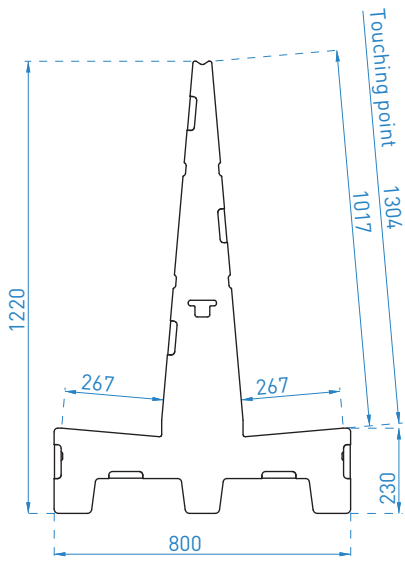


**SG80.7.240 / 4 uprights**

**Optional  
Wheelboard  
kit**

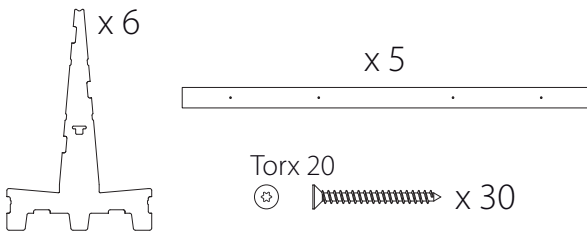


(\*) Load needs to be equally distributed over all vertical uprights of the rack



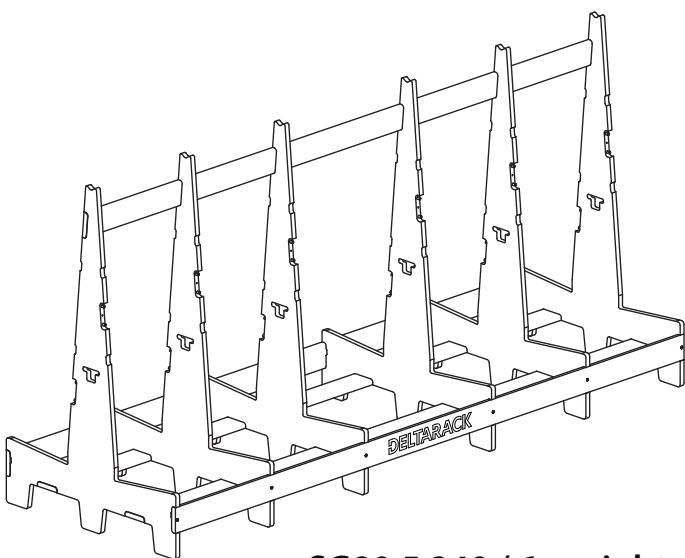
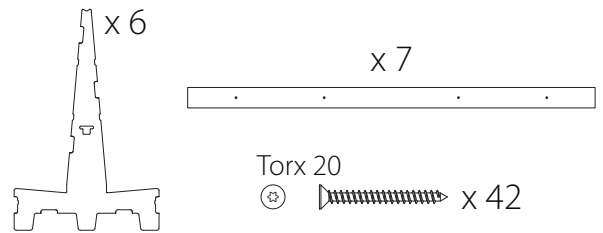
**LIMITED USE**

WEIGHT: 33 KG

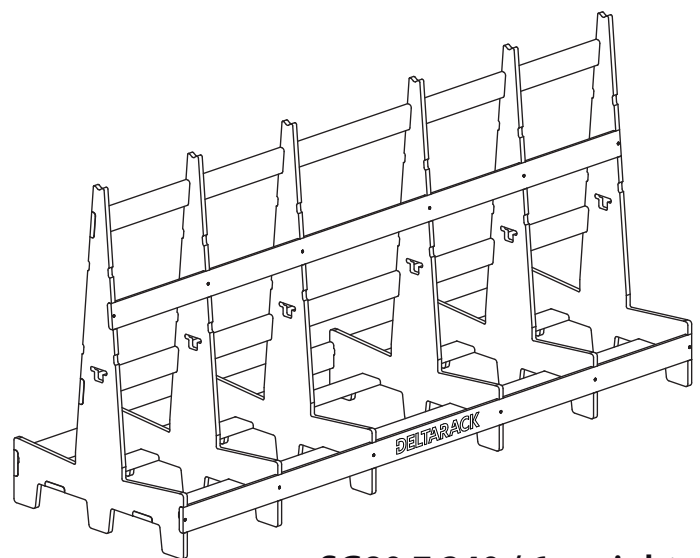


**EXTENSIVE USE**

WEIGHT: 38 KG



**SG80.5.240 / 6 uprights**



**SG80.7.240 / 6 uprights**

(\* ) Load needs to be equally distributed over all vertical uprights of the rack