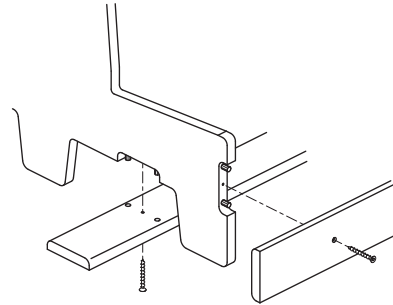
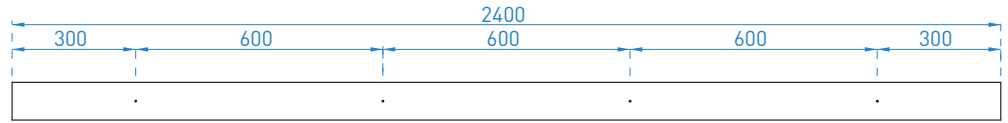
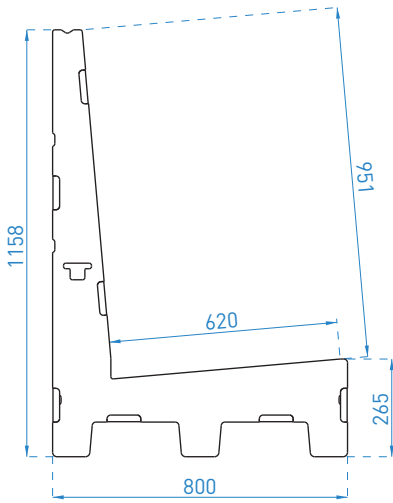


Assembly Guidelines

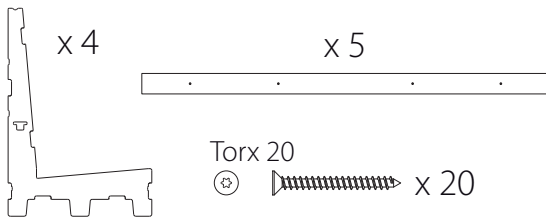
SL80.240/ 4 Uprights

SL80.240/ 6 Uprights



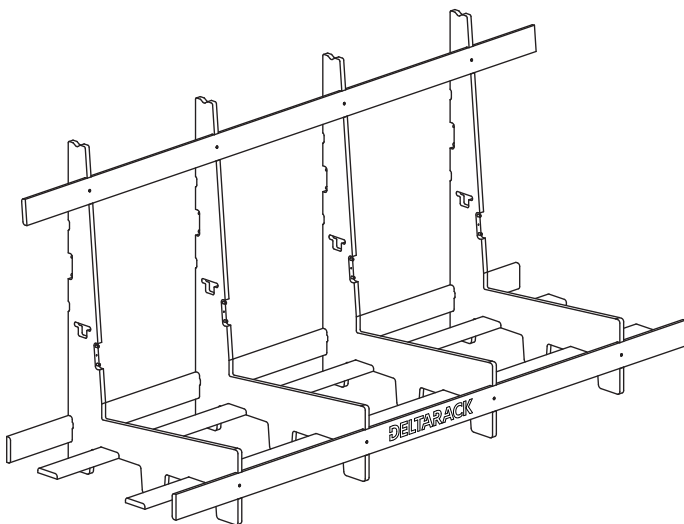
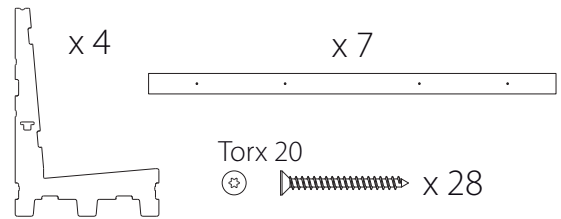
LIMITED USE

WEIGHT: 26 KG

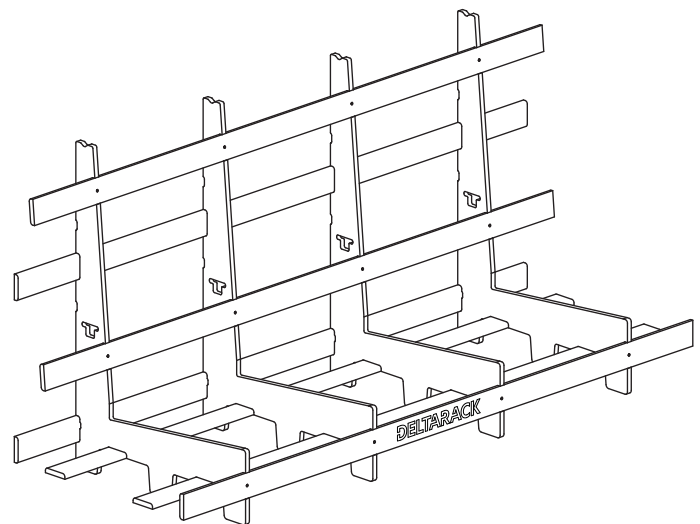


EXTENSIVE USE

WEIGHT: 31 KG

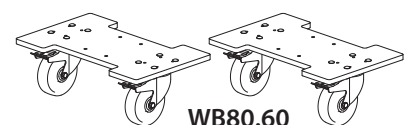


SL80.5.240 / 4 uprights

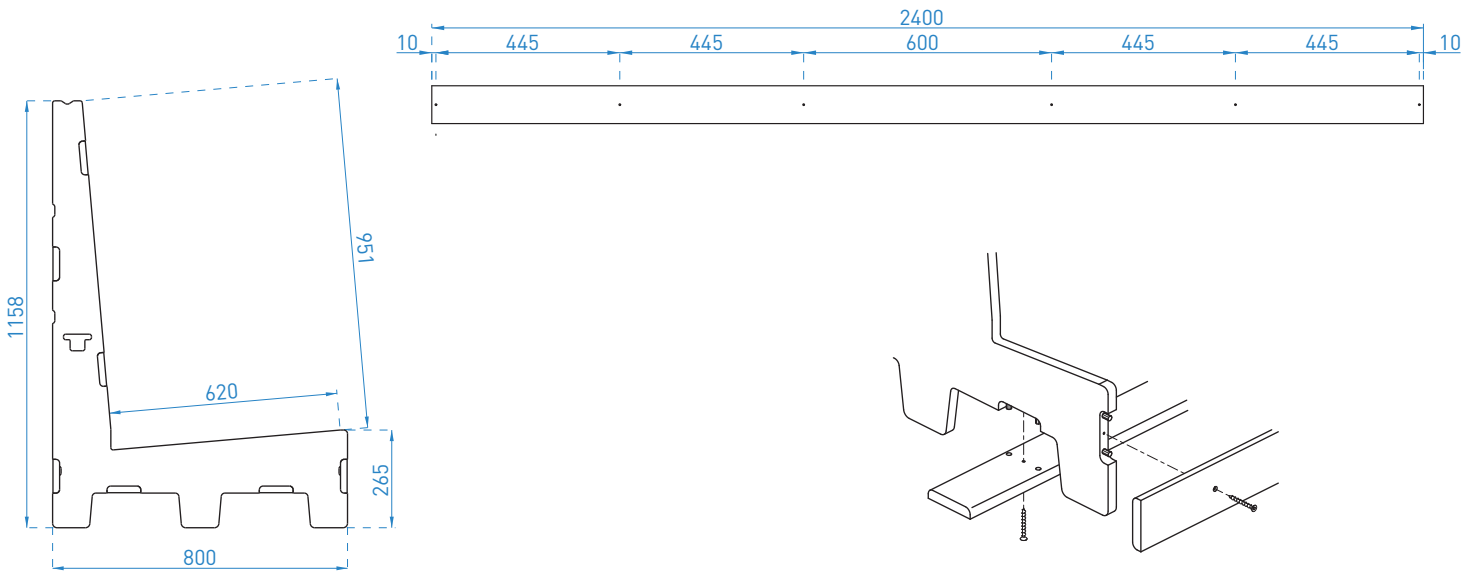


SL80.7.240 / 4 uprights

**Optional
Wheelboard
kit**

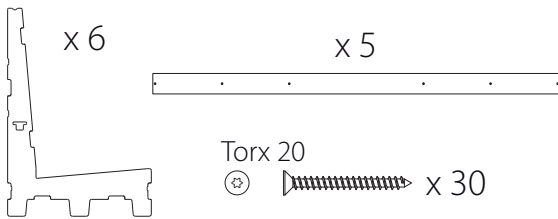


(*) Load needs to be equally distributed over all vertical uprights of the rack



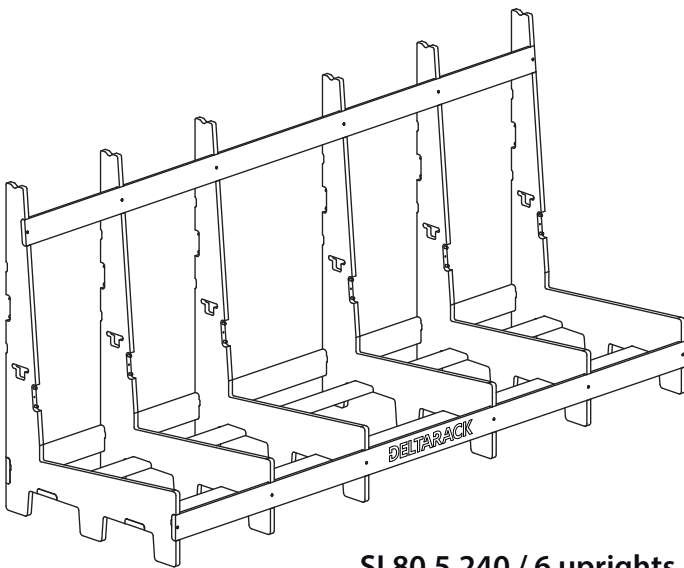
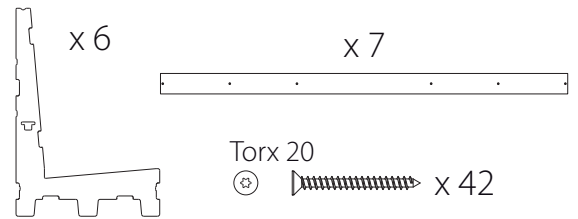
LIMITED USE

WEIGHT: 32 KG

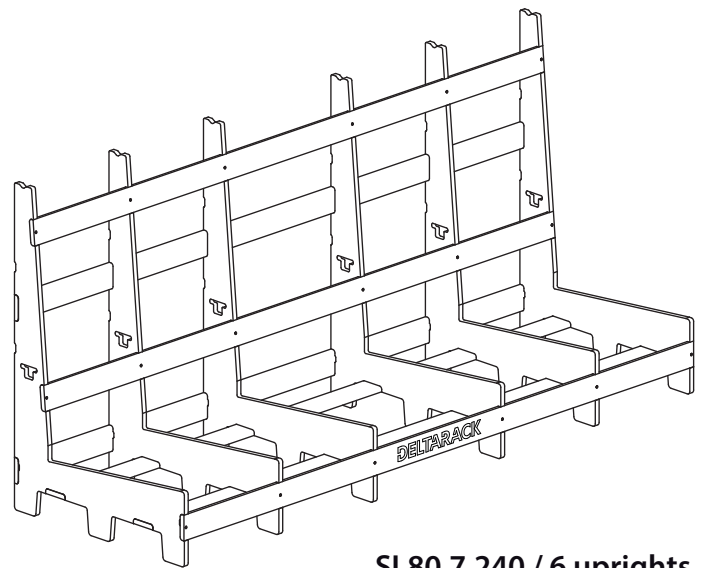


EXTENSIVE USE

WEIGHT: 38 KG



SL80.5.240 / 6 uprights



SL80.7.240 / 6 uprights

(*) Load needs to be equally distributed over all vertical uprights of the rack