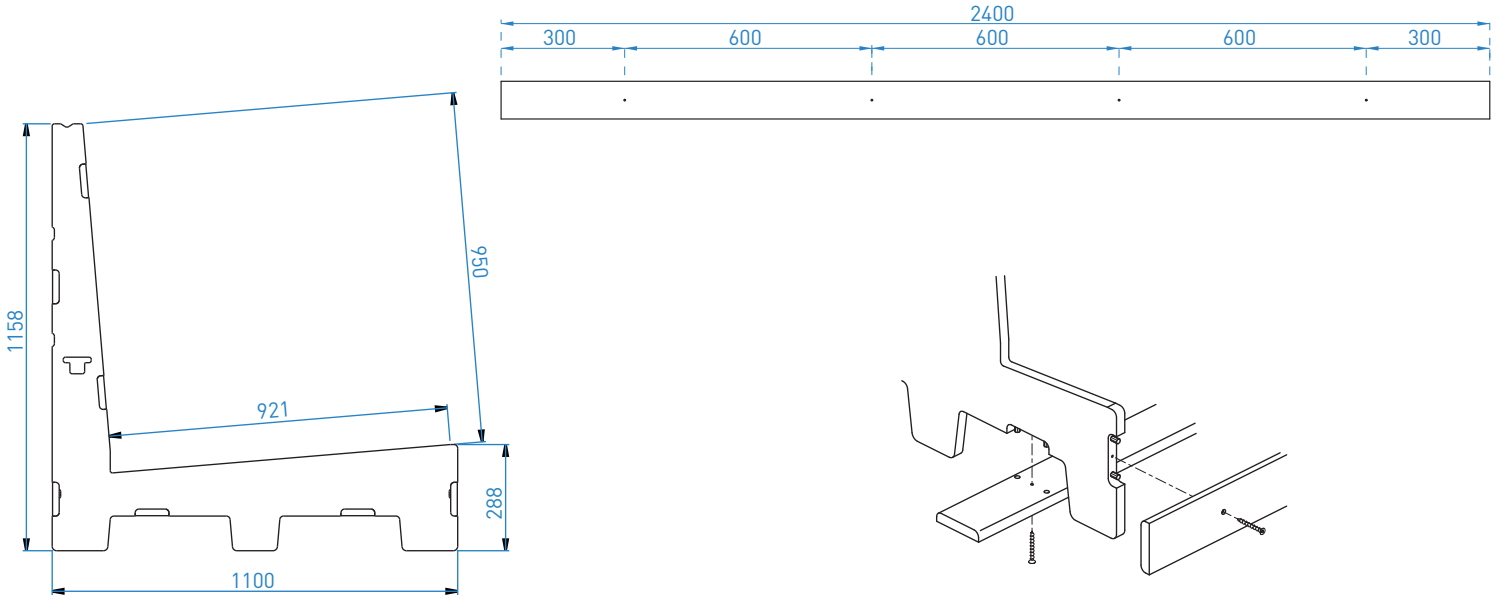


## Assembly Guidelines

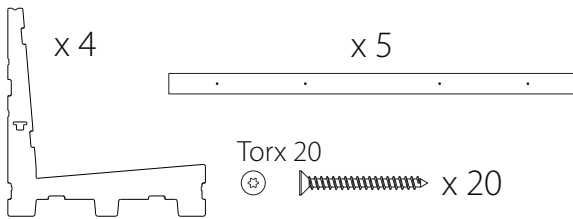
**SL110.240/ 4 Uprights**

**SL110.240/ 6 Uprights**



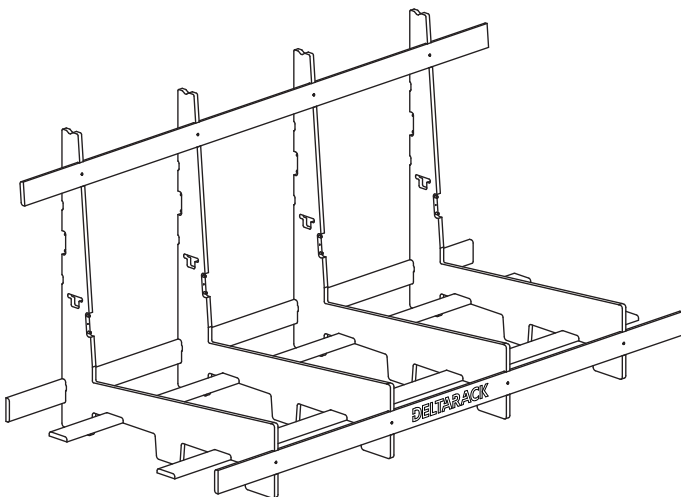
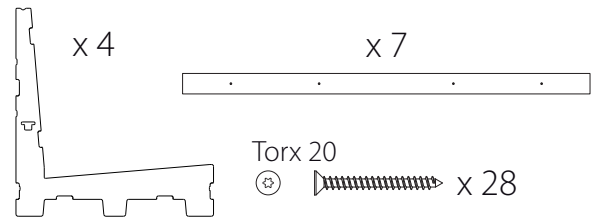
**LIMITED USE**

WEIGHT: 28 KG

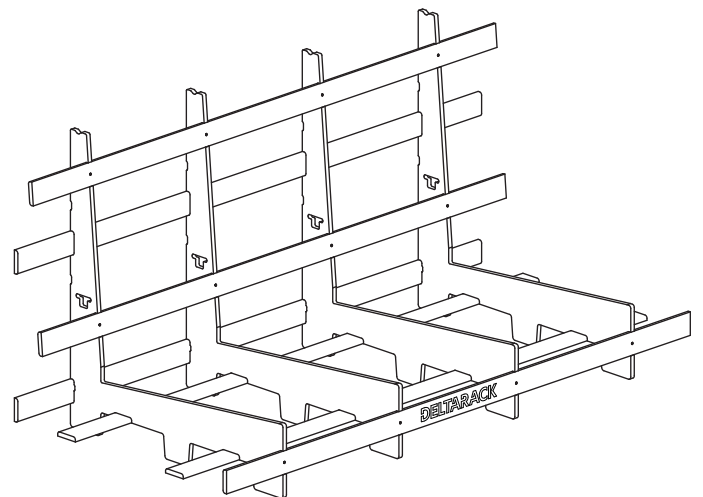


**EXTENSIVE USE**

WEIGHT: 33 KG

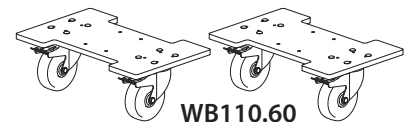


**SL110.5.240 / 4 uprights**



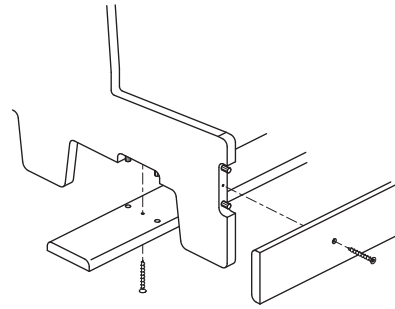
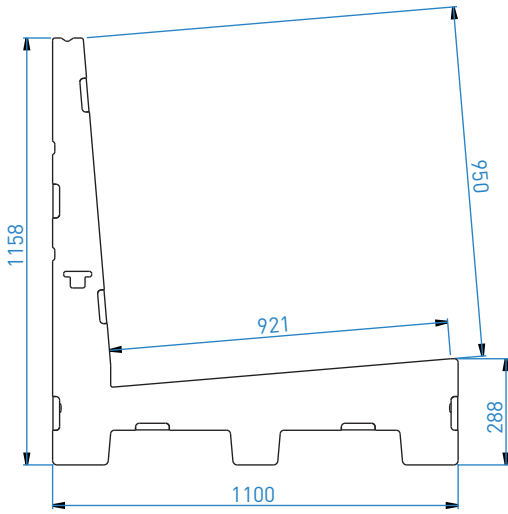
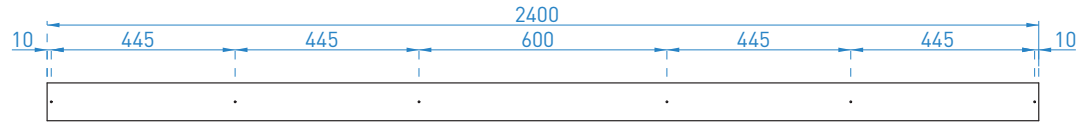
**SL110.7.240 / 4 uprights**

**Optional  
Wheelboard  
kit**



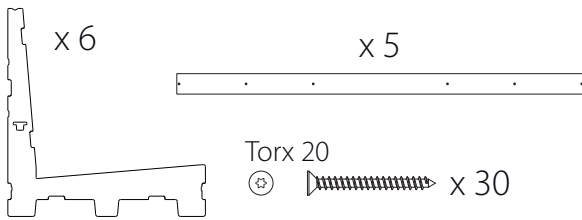
**WB110.60**

(\* ) Load needs to be equally distributed over all vertical uprights of the rack



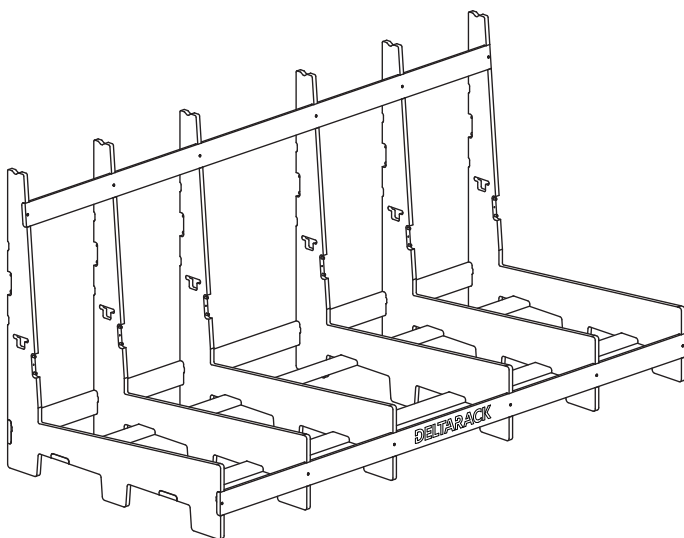
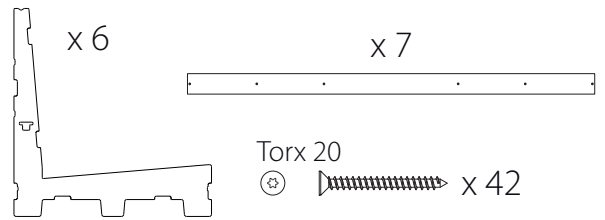
**LIMITED USE**

WEIGHT: 35 KG

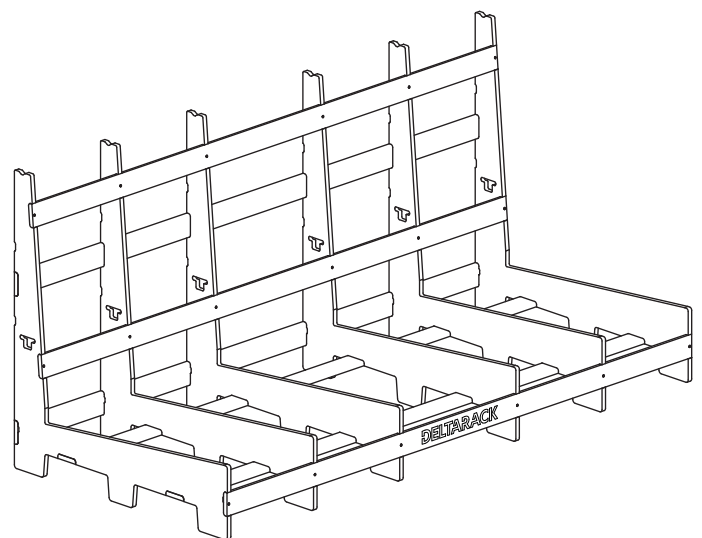


**EXTENSIVE USE**

WEIGHT: 40 KG



**SL110.5.240 / 6 uprights**



**SL110.7.240 / 6 uprights**

(\*) Load needs to be equally distributed over all vertical uprights of the rack