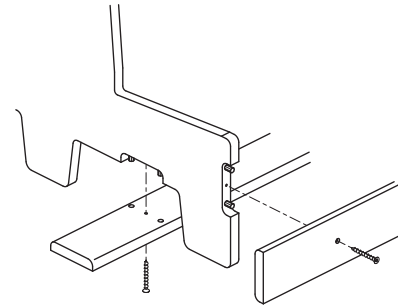
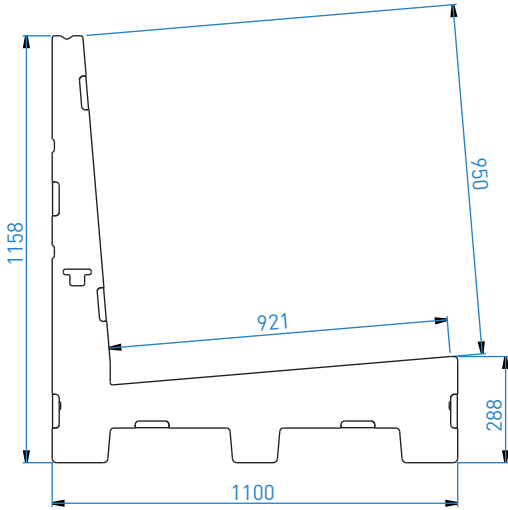
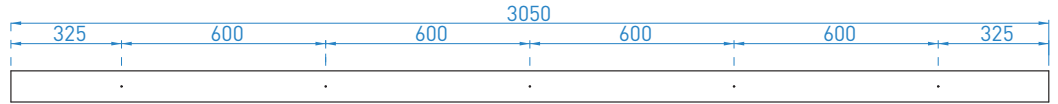


Assembly Guidelines

SL110.300/ 5 Uprights

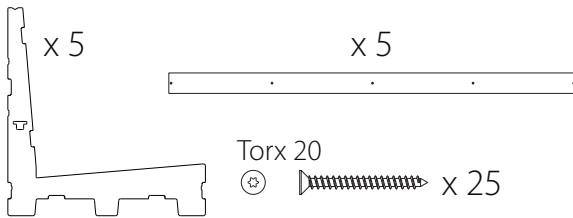
SL110.300/ 6 Uprights

SL110.300/ 7 Uprights



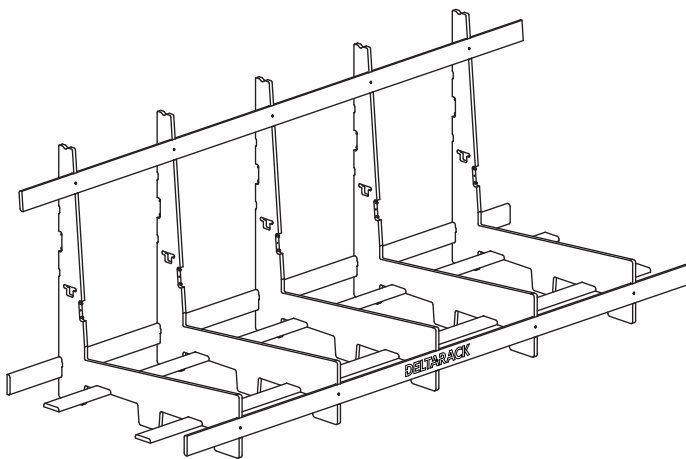
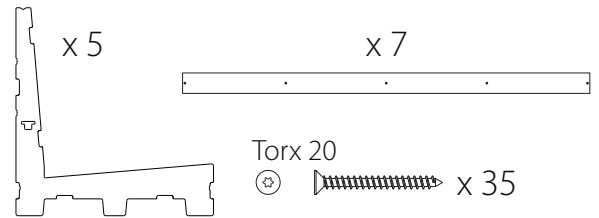
LIMITED USE

WEIGHT: 35 KG

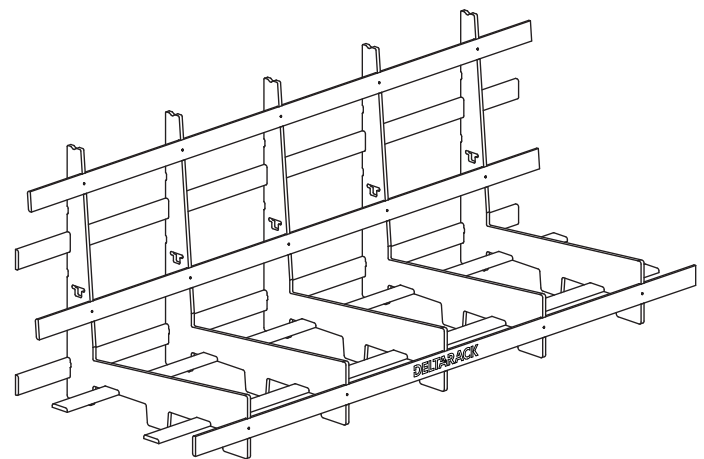


EXTENSIVE USE

WEIGHT: 42 KG

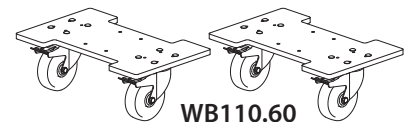


SL110.5.300 / 5 uprights



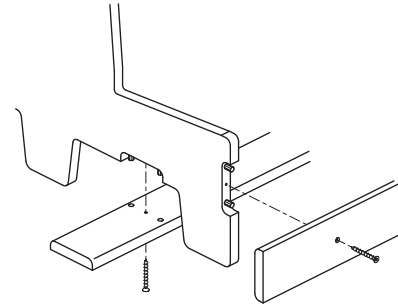
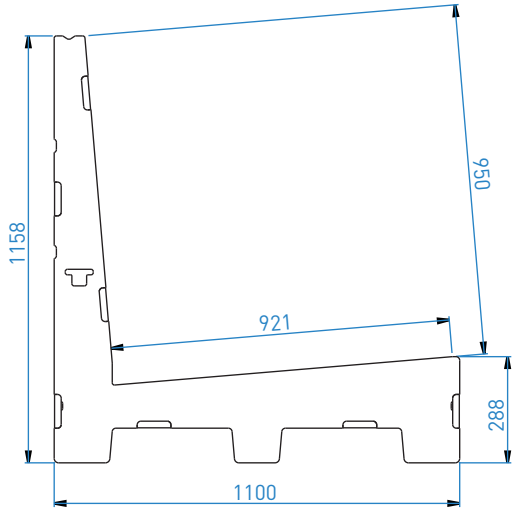
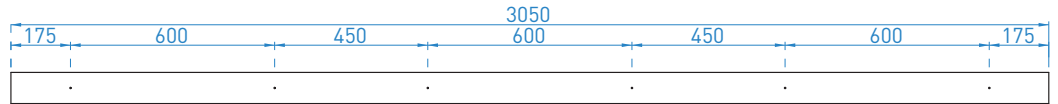
SL110.7.300 / 5 uprights

**Optional
Wheelboard
kit**



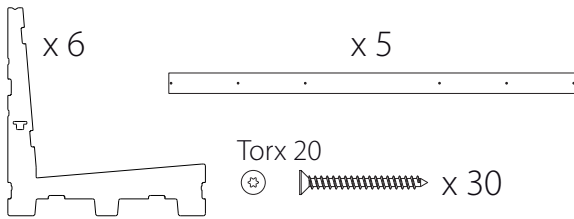
WB110.60

(*) Load needs to be equally distributed over all vertical uprights of the rack



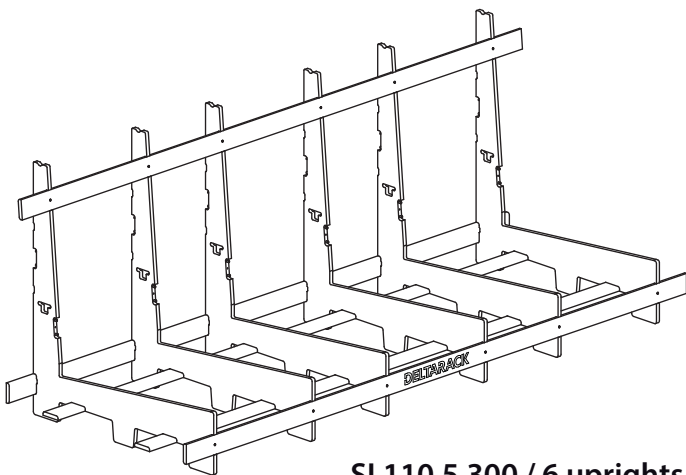
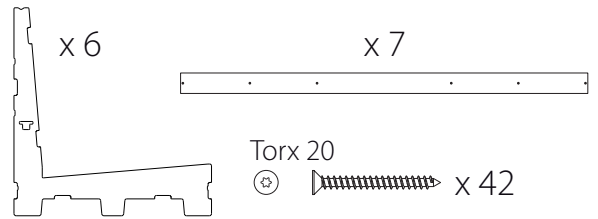
LIMITED USE

WEIGHT: 39 KG

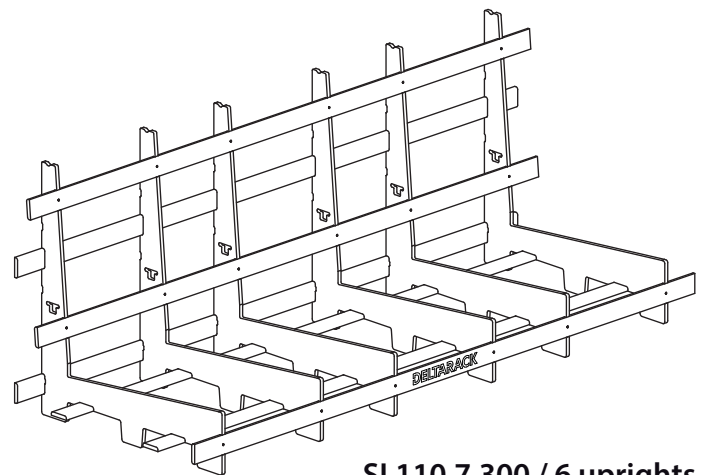


EXTENSIVE USE

WEIGHT: 45 KG

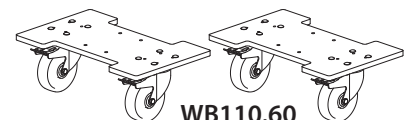


SL110.5.300 / 6 uprights



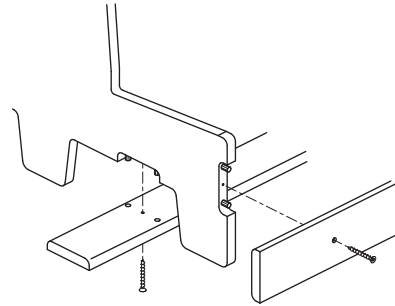
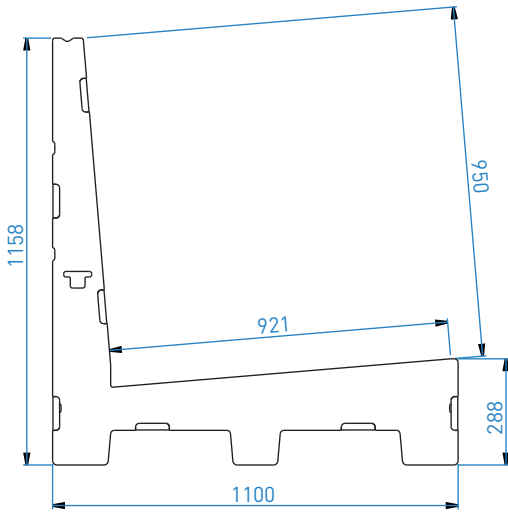
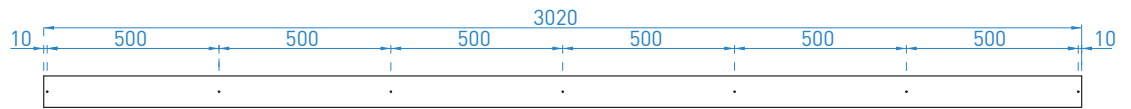
SL110.7.300 / 6 uprights

**Optional
Wheelboard
kit**



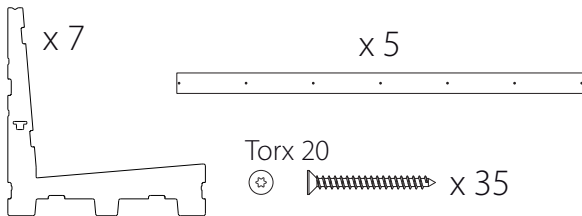
WB110.60

(*) Load needs to be equally distributed over all vertical uprights of the rack



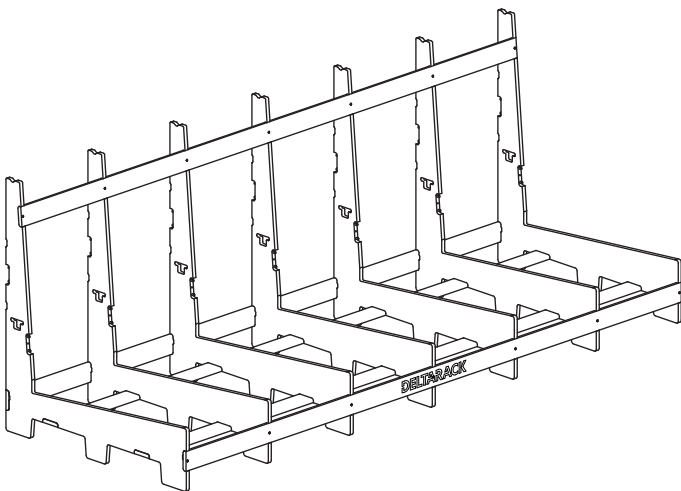
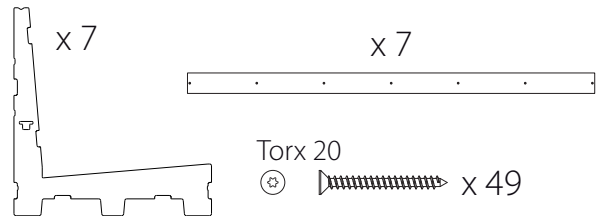
LIMITED USE

WEIGHT: 42 KG

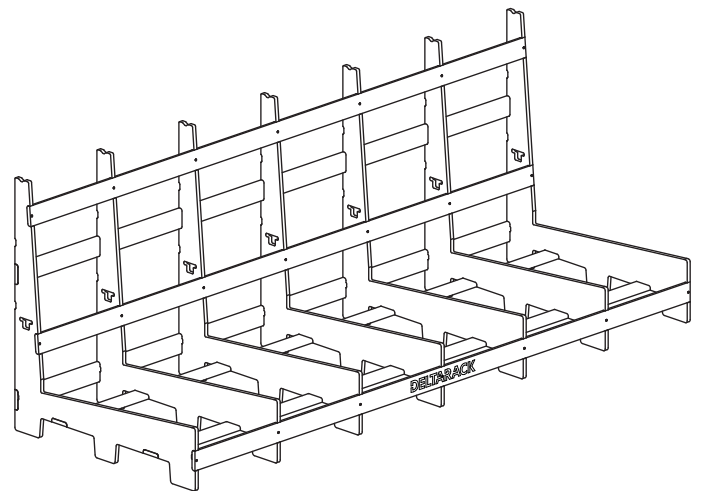


EXTENSIVE USE

WEIGHT: 49 KG



SL110.5.300 / 7 uprights



SL110.7.300 / 7 uprights

(*) Load needs to be equally distributed over all vertical uprights of the rack