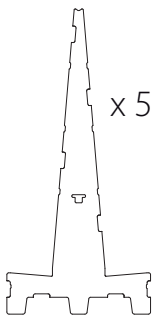
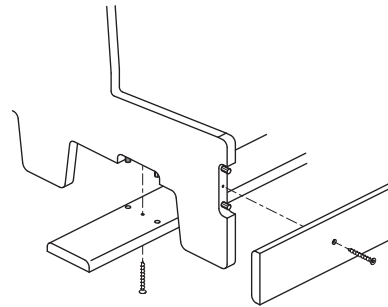
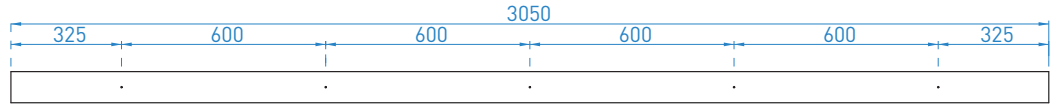
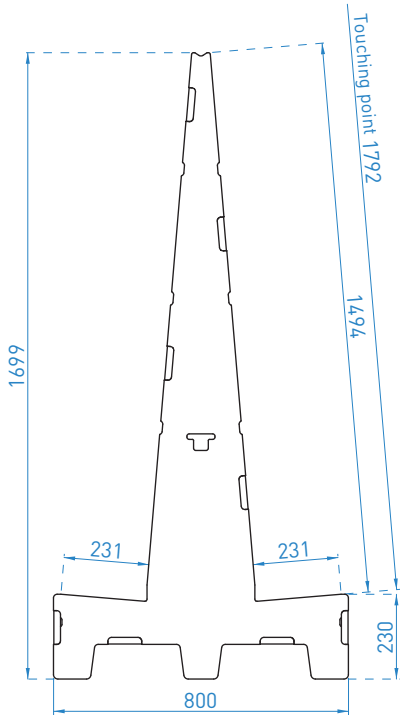


Assembly Guidelines

SR80.300/ 5 Uprights

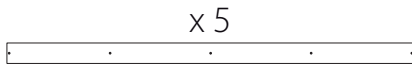
SR80.300/ 6 Uprights

SR80.300/ 7 Uprights

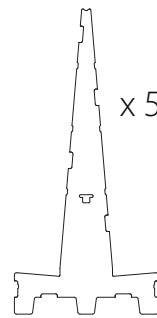


LIMITED USE

WEIGHT: 40 KG

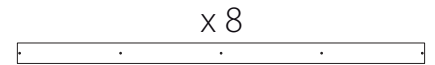


Torx 20
⊕  x 25

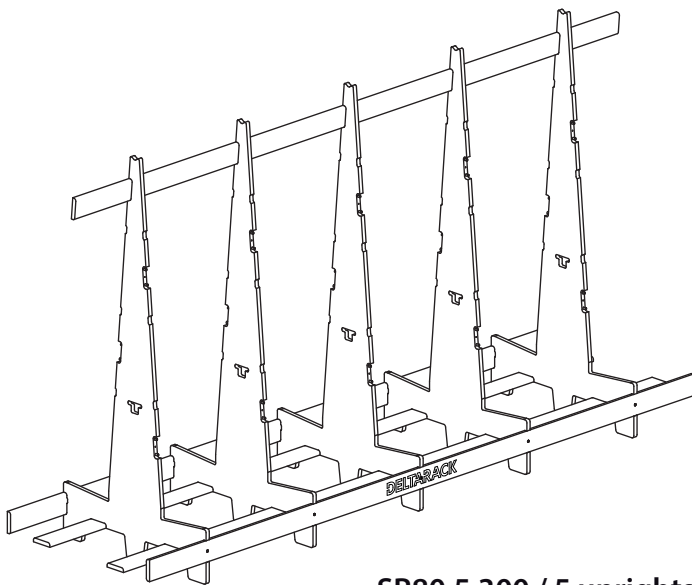


EXTENSIVE USE

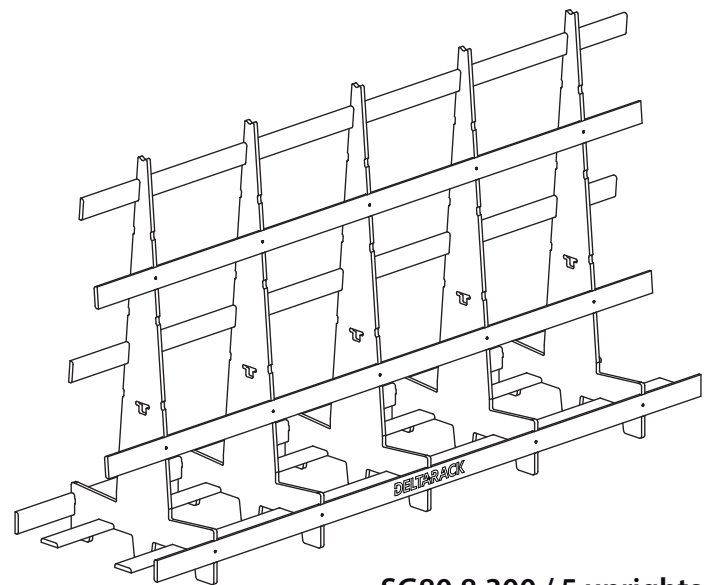
WEIGHT: 50 KG



Torx 20
⊕  x 40



SR80.5.300 / 5 uprights

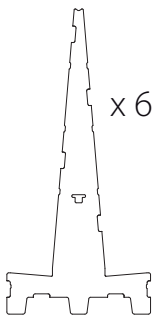
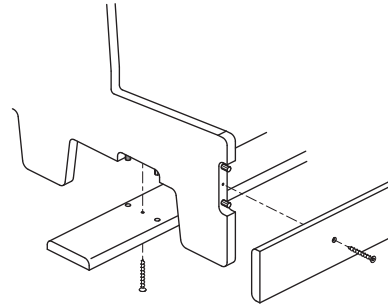
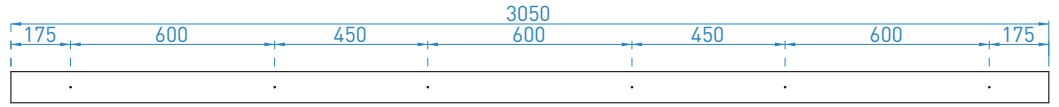
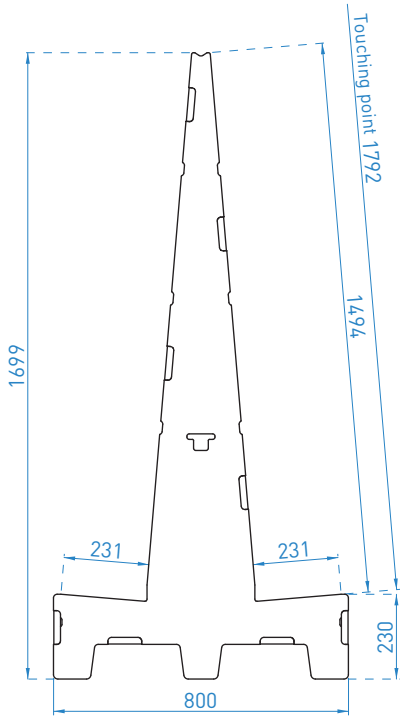


SG80.8.300 / 5 uprights

Optional
Wheelboard kit: WB80.60

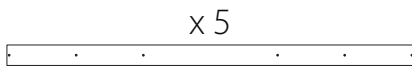


(*) Load needs to be equally distributed over all vertical uprights of the rack

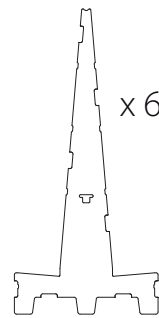


LIMITED USE

WEIGHT: 45 KG

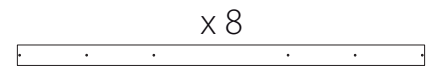


Torx 20
⊕  x 30

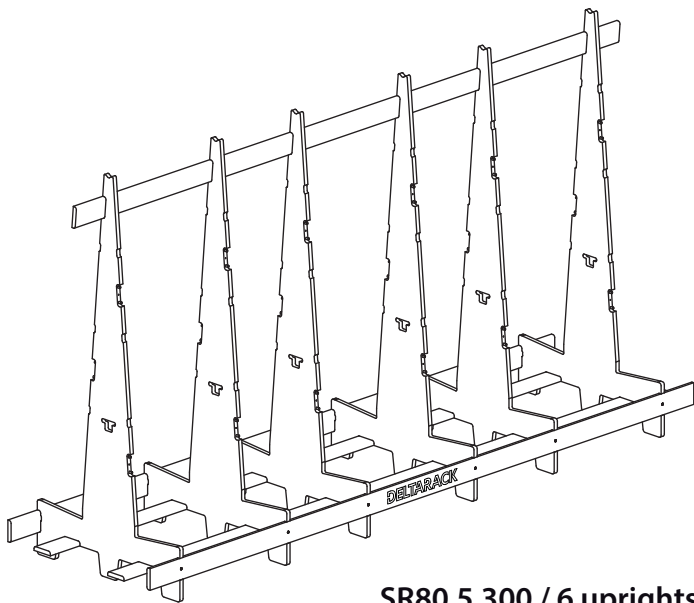


EXTENSIVE USE

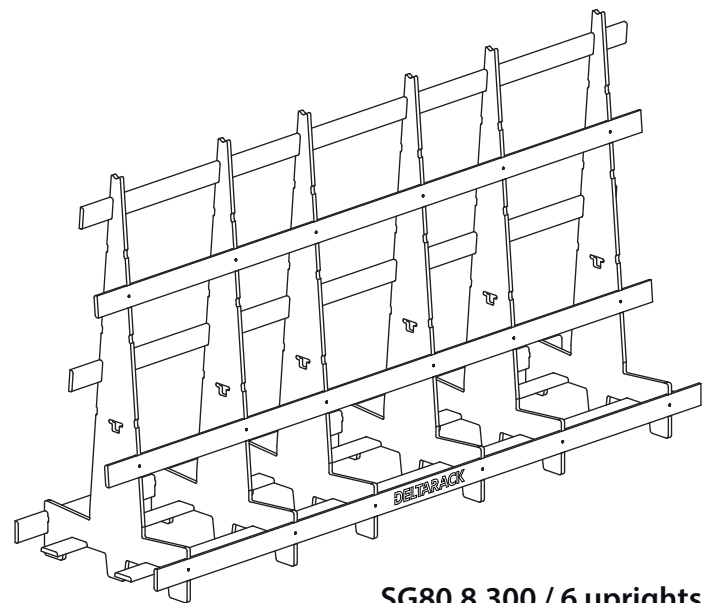
WEIGHT: 55 KG



Torx 20
⊕  x 48



SR80.5.300 / 6 uprights

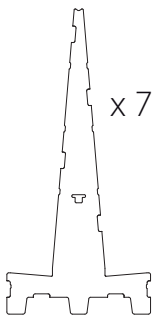
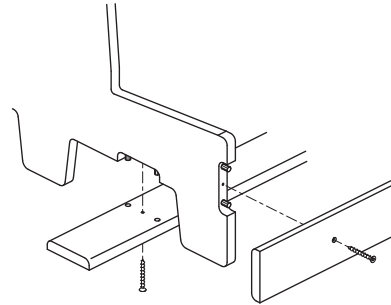
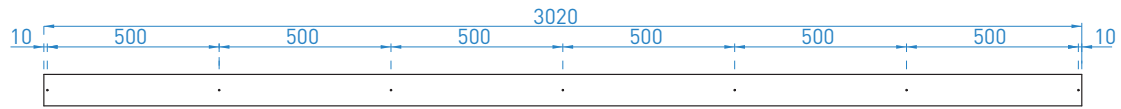
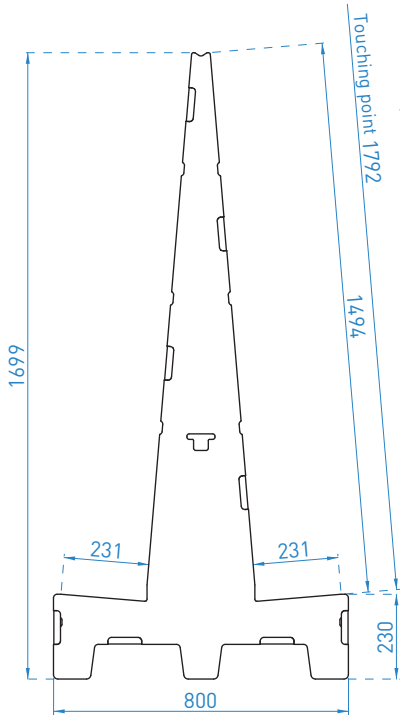


SG80.8.300 / 6 uprights

Optional
Wheelboard kit: WB80.60

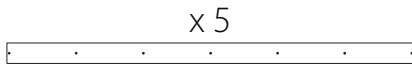


(*) Load needs to be equally distributed over all vertical uprights of the rack

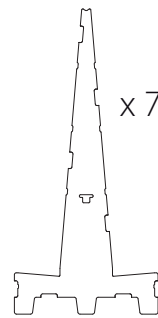


LIMITED USE

WEIGHT: 50 KG

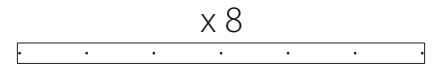


Torx 20
⊕  x 35

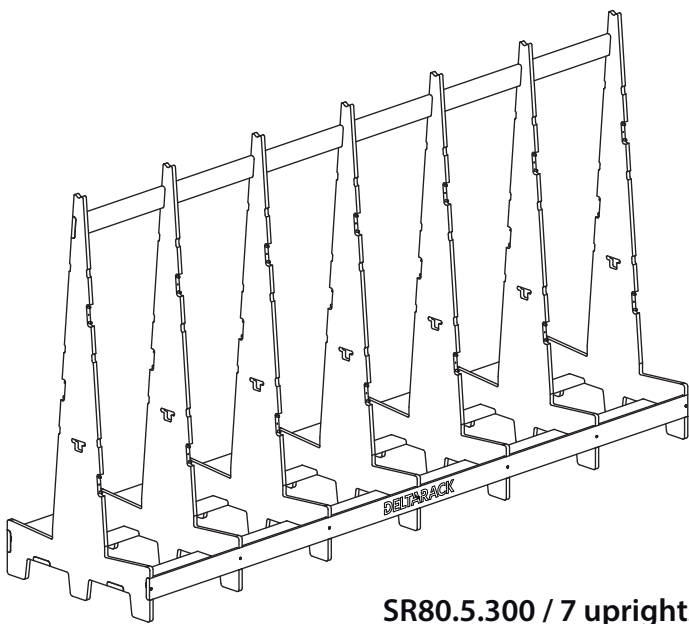


EXTENSIVE USE

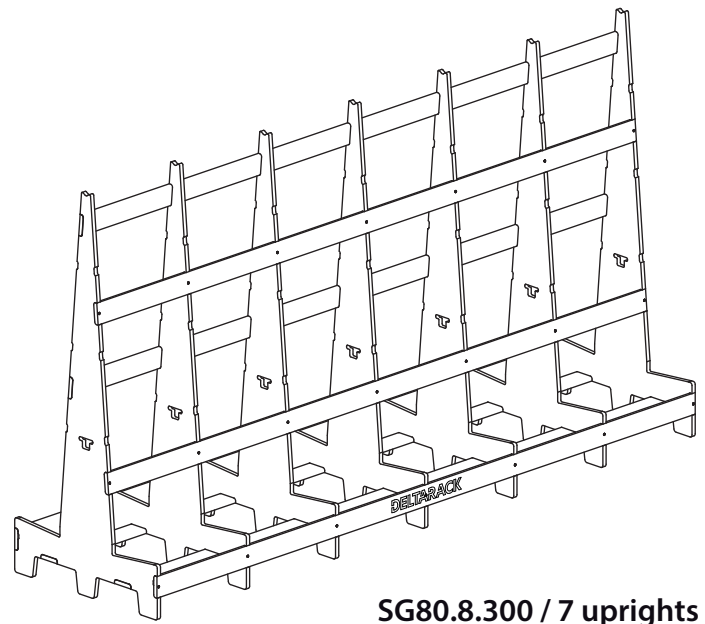
WEIGHT: 60 KG



Torx 20
⊕  x 56



SR80.5.300 / 7 uprights



SG80.8.300 / 7 uprights

(*) Load needs to be equally distributed over all vertical uprights of the rack