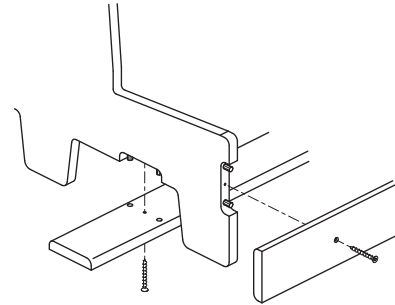
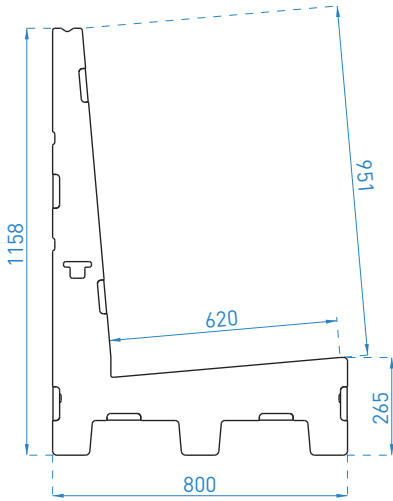
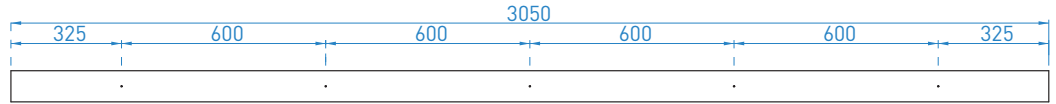


Assembly Guidelines

SL80.300/ 5 Uprights

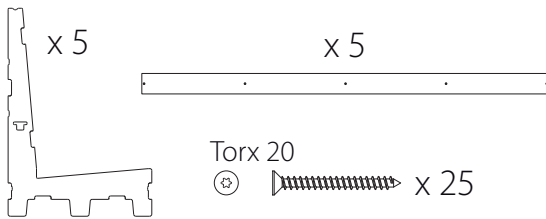
SL80.300/ 6 Uprights

SL80.300/ 7 Uprights



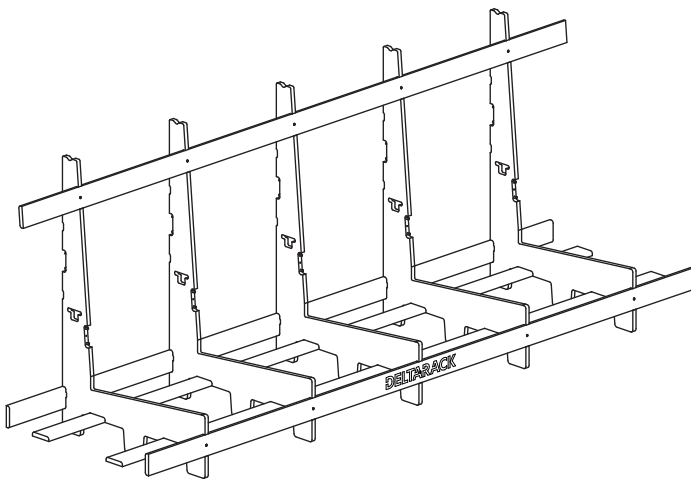
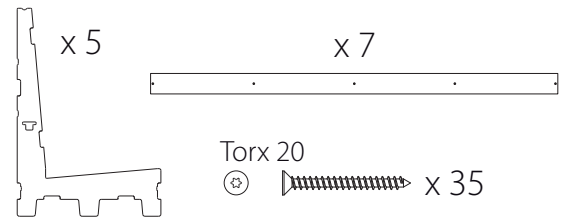
LIMITED USE

WEIGHT: 33 KG

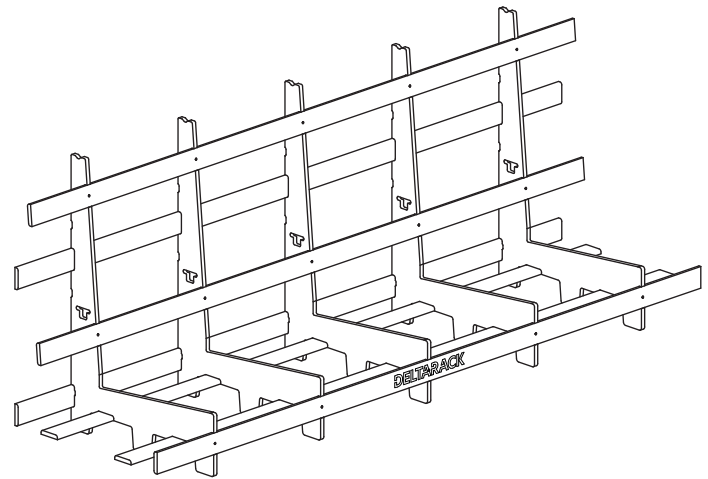


EXTENSIVE USE

WEIGHT: 39 KG

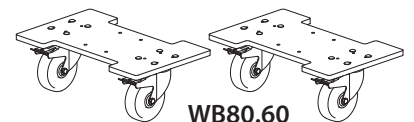


SL80.5.300 / 5 uprights

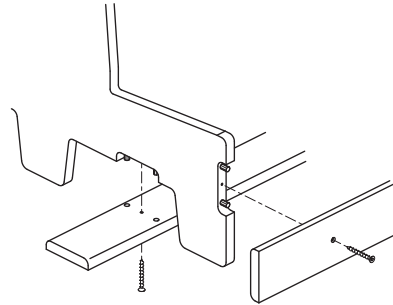
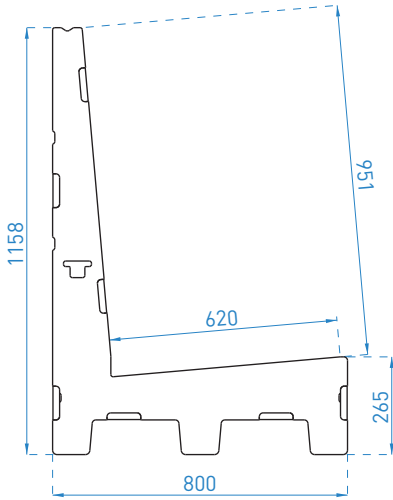
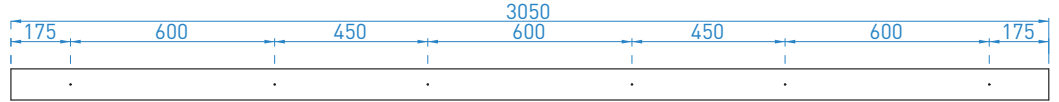


SL80.7.300 / 5 uprights

**Optional
Wheelboard
kit**

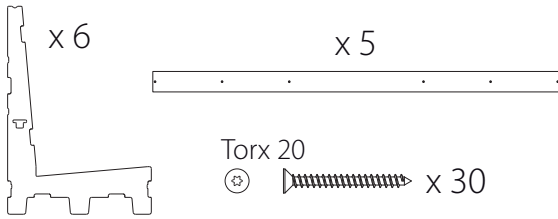


(*) Load needs to be equally distributed over all vertical uprights of the rack



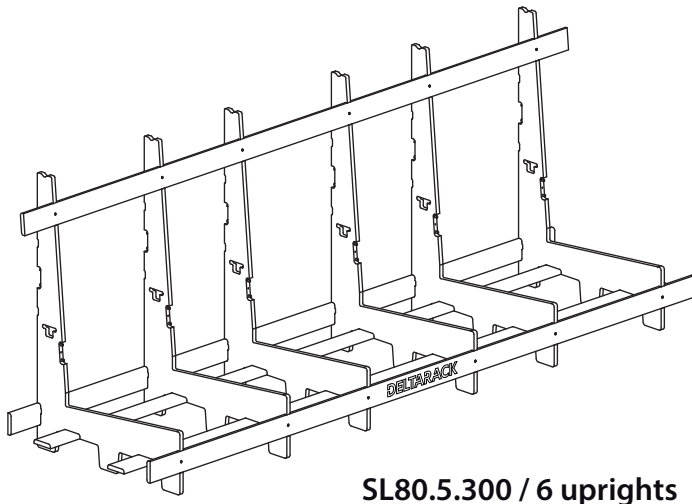
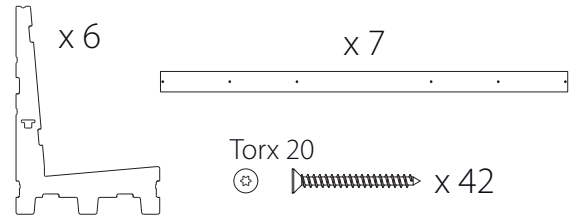
LIMITED USE

WEIGHT: 36 KG

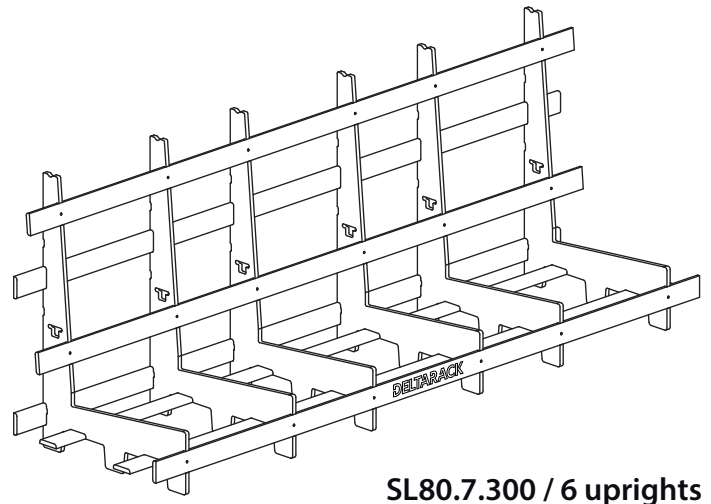


EXTENSIVE USE

WEIGHT: 42 KG

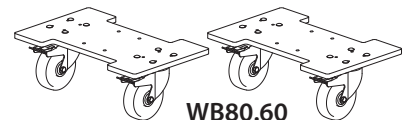


SL80.5.300 / 6 uprights

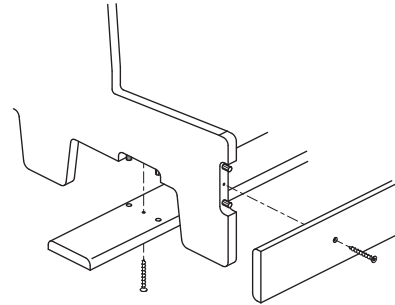
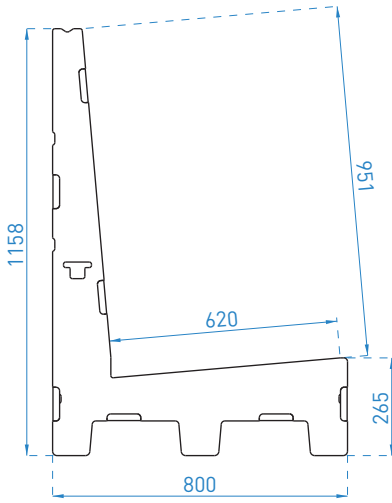
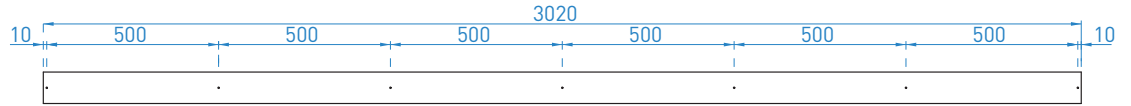


SL80.7.300 / 6 uprights

**Optional
Wheelboard
kit**

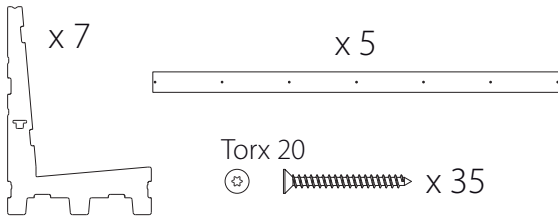


(*) Load needs to be equally distributed over all vertical uprights of the rack



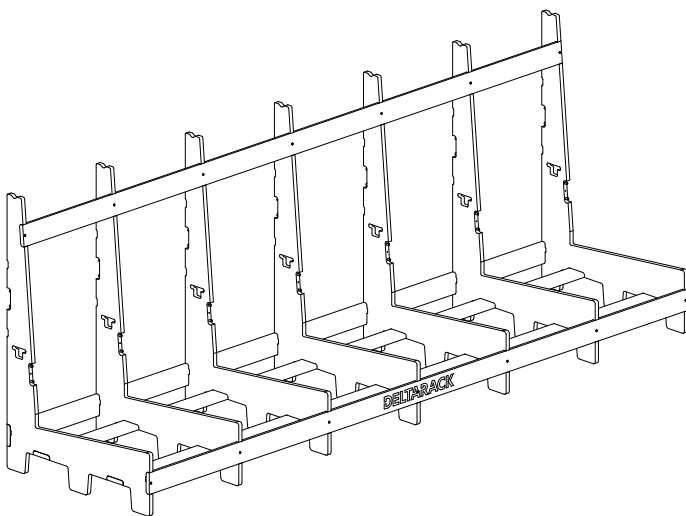
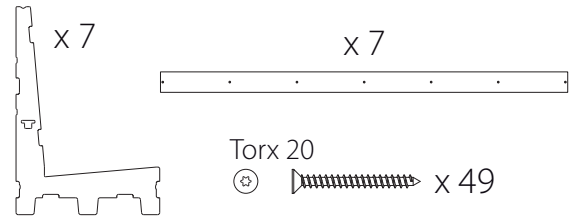
LIMITED USE

WEIGHT: 39 KG

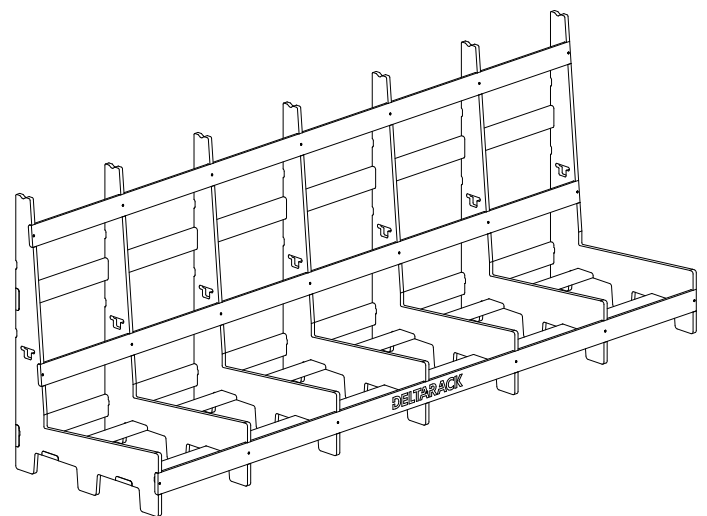


EXTENSIVE USE

WEIGHT: 45 KG



SL80.5.300 / 7 uprights



SL80.7.300 / 7 uprights

(*) Load needs to be equally distributed over all vertical uprights of the rack