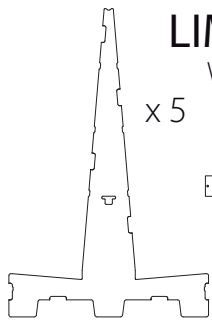
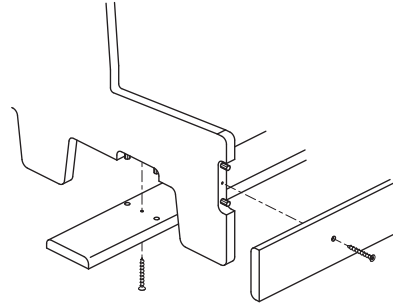
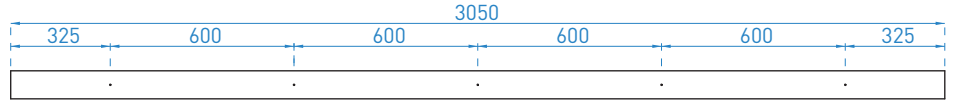
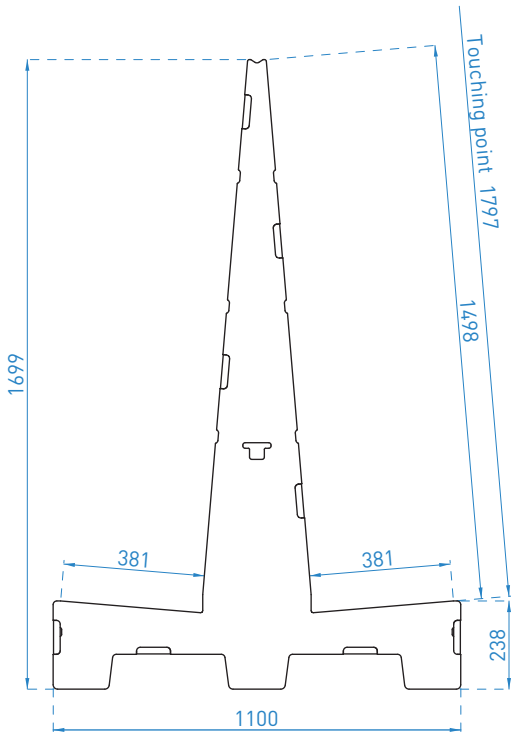


## Assembly Guidelines

**SR110.300/ 5 Uprights**

**SR110.300/ 6 Uprights**

**SR110.300/ 7 Uprights**



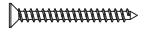
**LIMITED USE**

WEIGHT: 43 KG

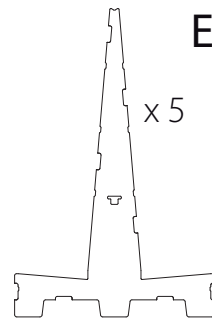
x 5

x 5

Torx 20



x 25



**EXTENSIVE USE**

WEIGHT: 53 KG

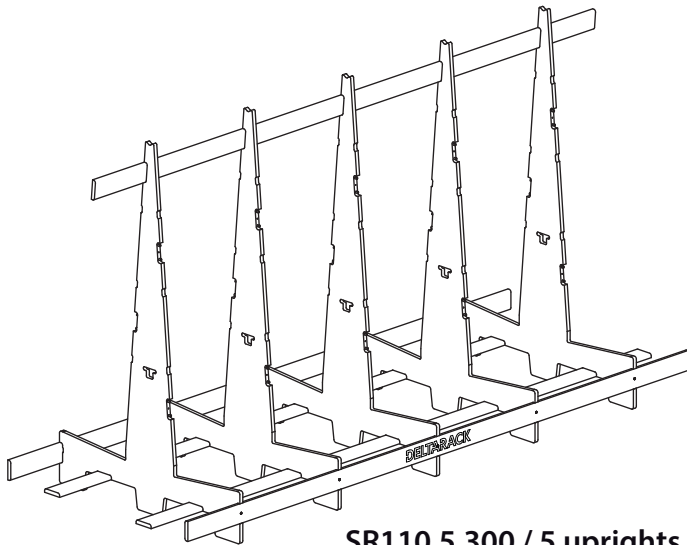
x 5

x 8

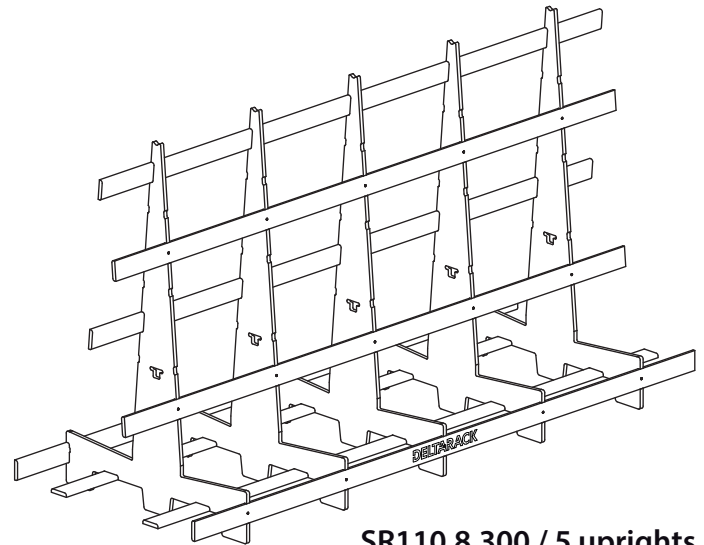
Torx 20



x 40

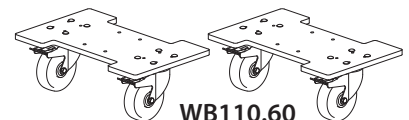


**SR110.5.300 / 5 uprights**



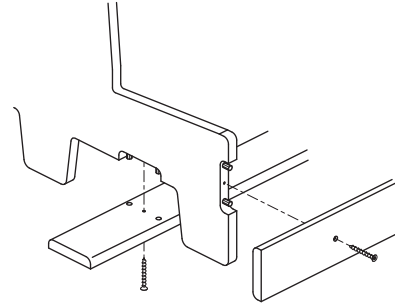
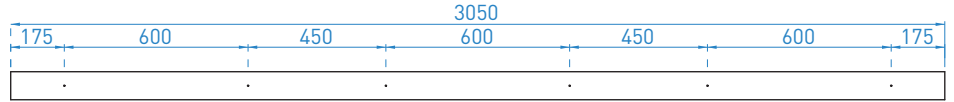
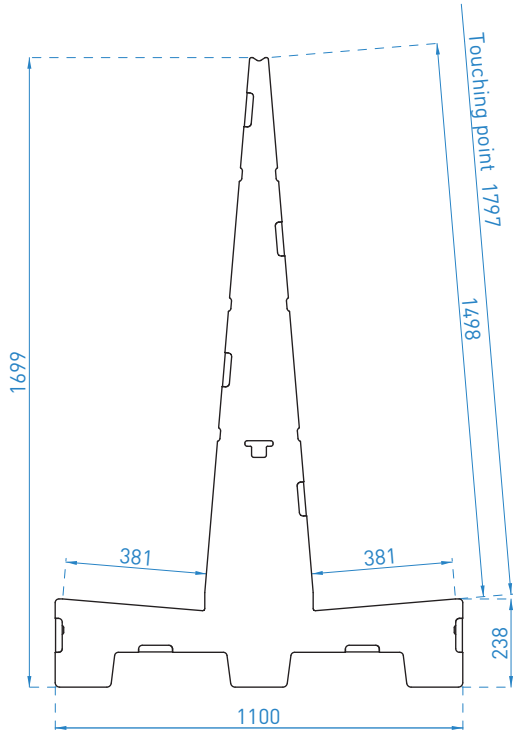
**SR110.8.300 / 5 uprights**

**Optional  
Wheelboard  
kit**



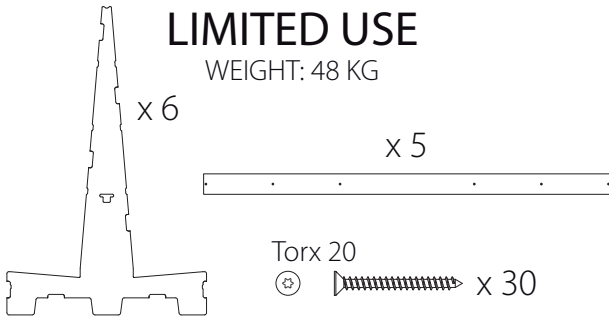
**WB110.60**

(\* ) Load needs to be equally distributed over all vertical uprights of the rack



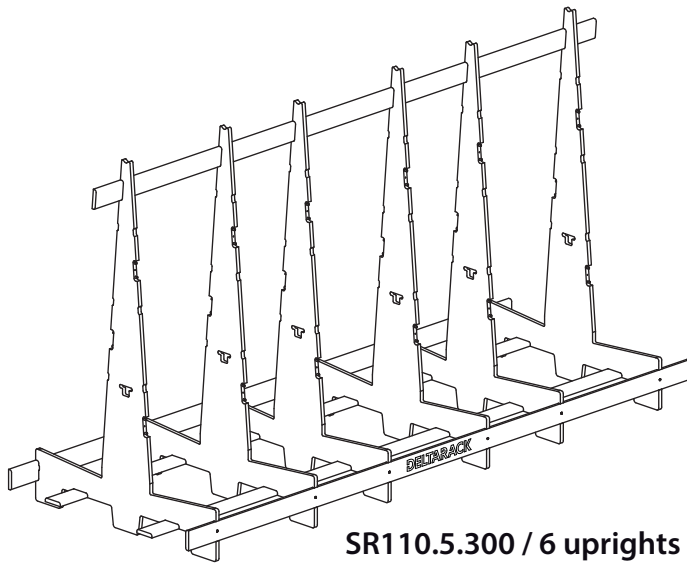
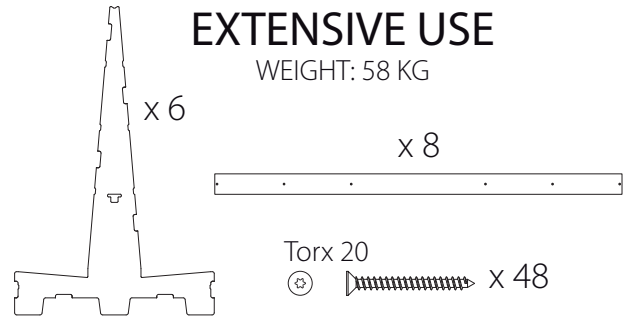
**LIMITED USE**

WEIGHT: 48 KG

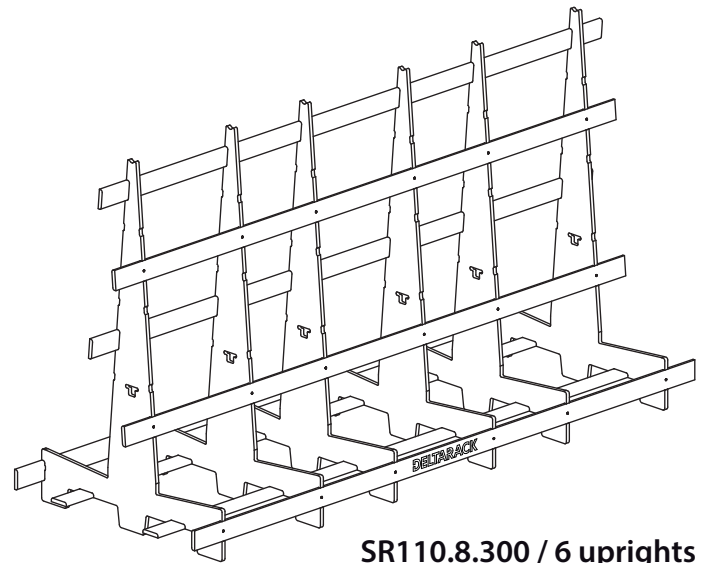


**EXTENSIVE USE**

WEIGHT: 58 KG

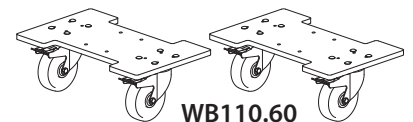


**SR110.5.300 / 6 uprights**



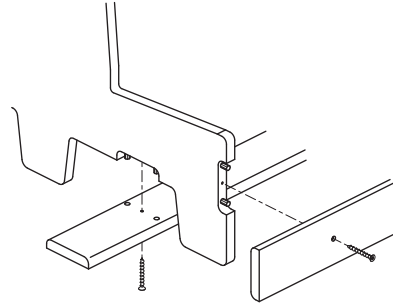
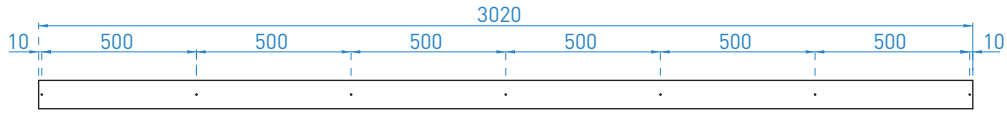
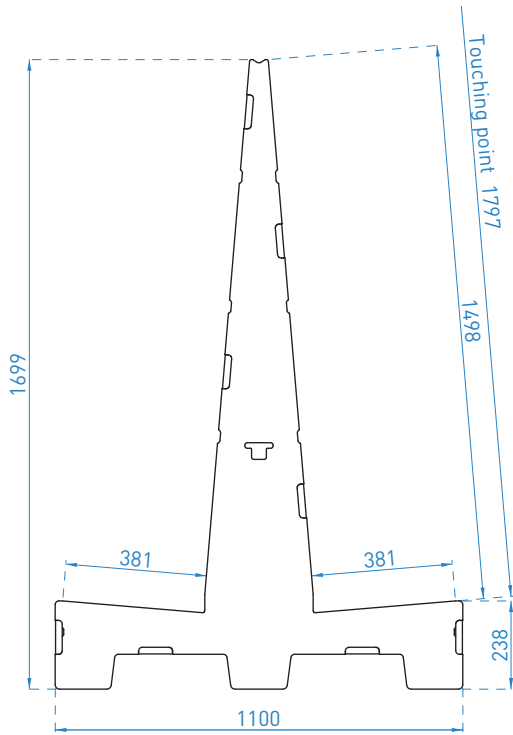
**SR110.8.300 / 6 uprights**

**Optional  
Wheelboard  
kit**



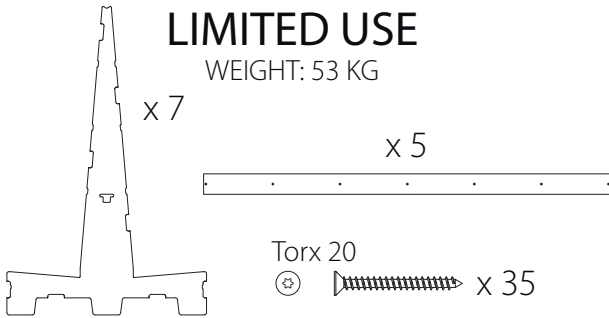
**WB110.60**

(\*) Load needs to be equally distributed over all vertical uprights of the rack



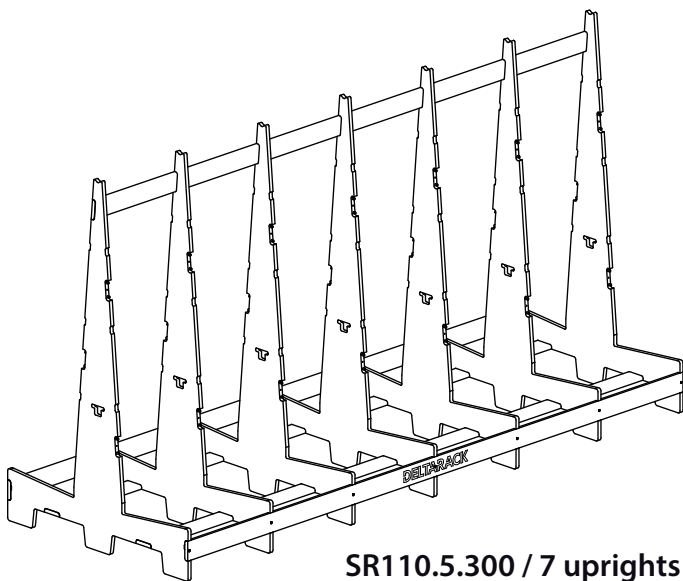
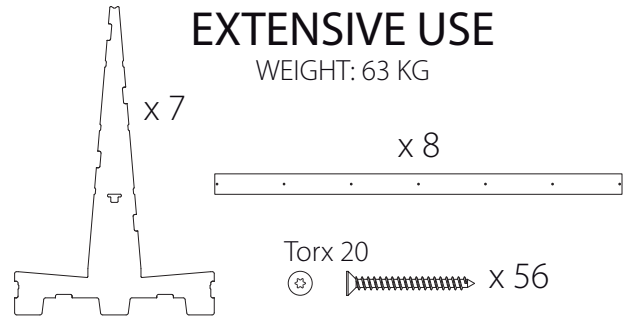
**LIMITED USE**

WEIGHT: 53 KG

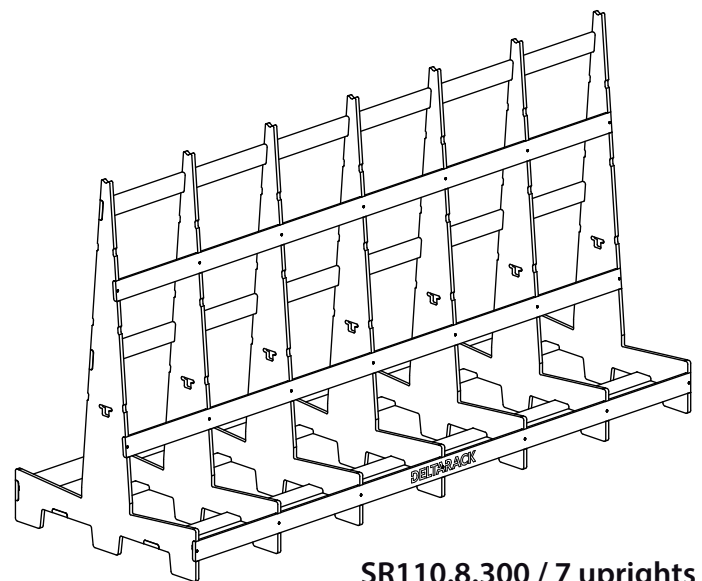


**EXTENSIVE USE**

WEIGHT: 63 KG



**SR110.5.300 / 7 uprights**



**SR110.8.300 / 7 uprights**

(\*) Load needs to be equally distributed over all vertical uprights of the rack