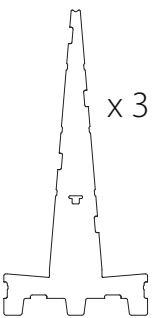
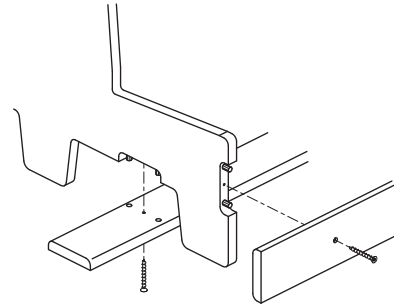
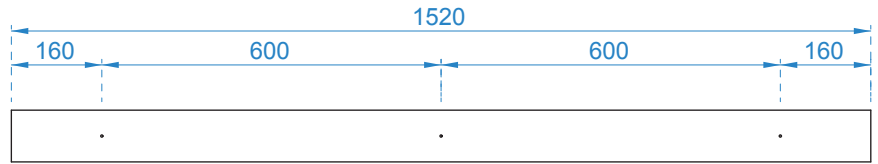
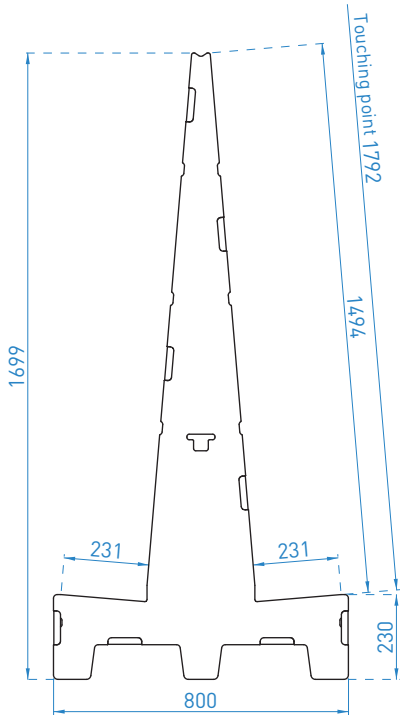


Assembly Guidelines

SR80.152/ 3 Uprights

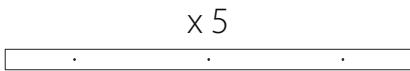
SR80.152/ 4 Uprights

SR80.152/ 5 Uprights

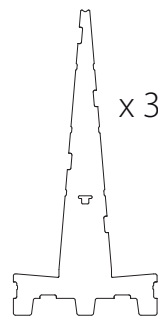


LIMITED USE

WEIGHT: 23 KG

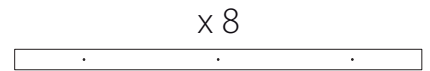


Torx 20
⊕ x 15

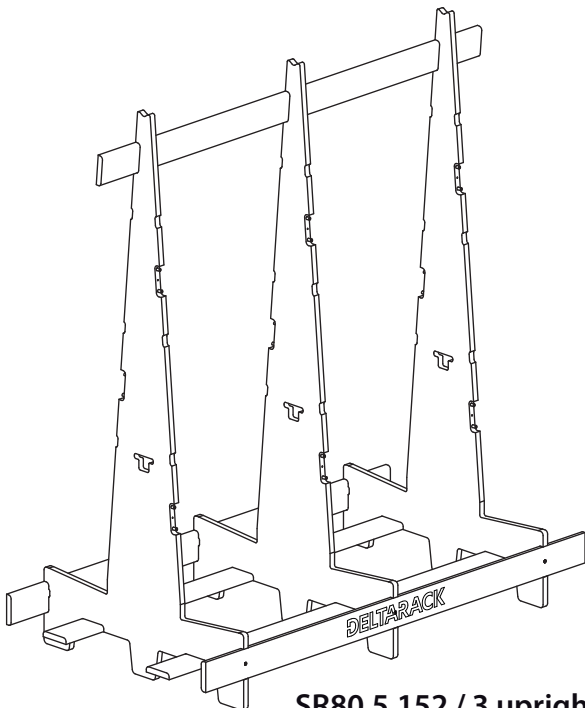


EXTENSIVE USE

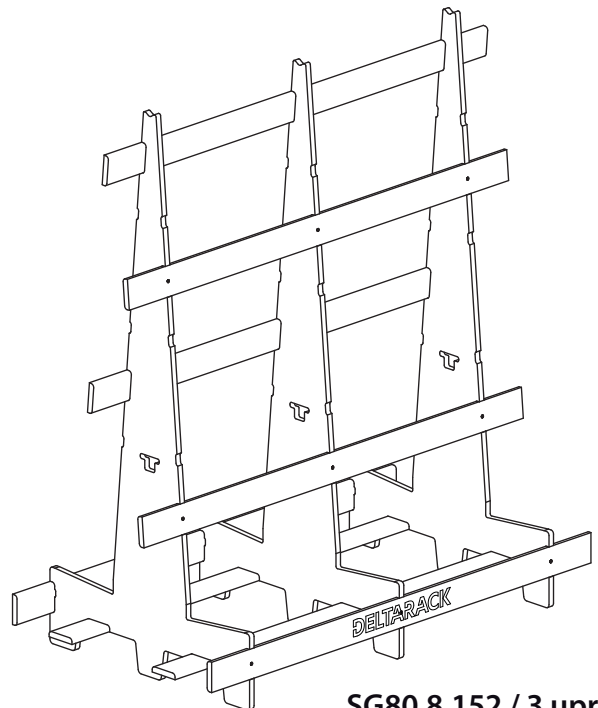
WEIGHT: 28 KG



Torx 20
⊕ x 24

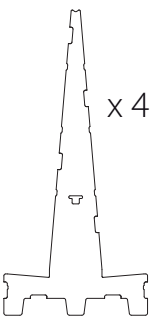
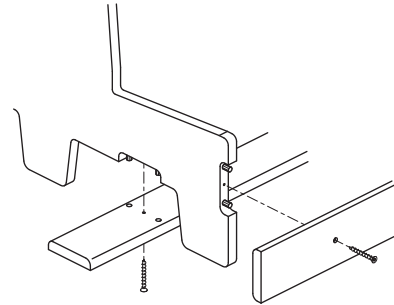
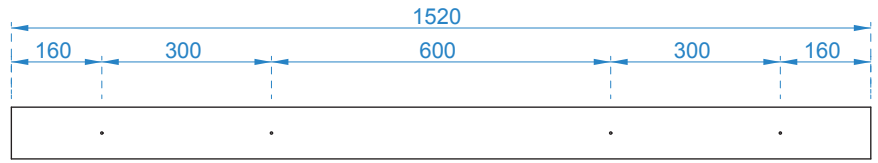
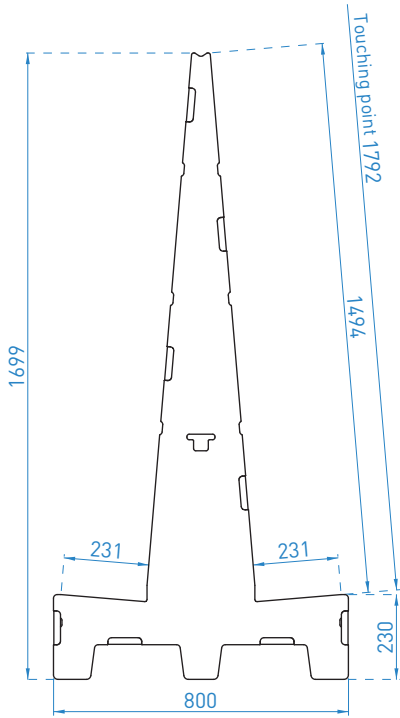


SR80.5.152 / 3 uprights



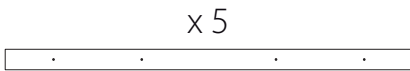
SG80.8.152 / 3 uprights

(*) Load needs to be equally distributed over all vertical uprights of the rack

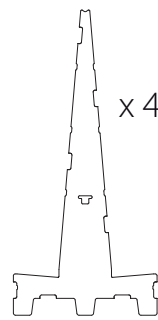


LIMITED USE

WEIGHT: 28 KG

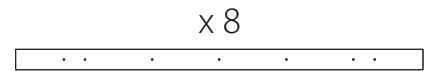


Torx 20
⊕ x 20

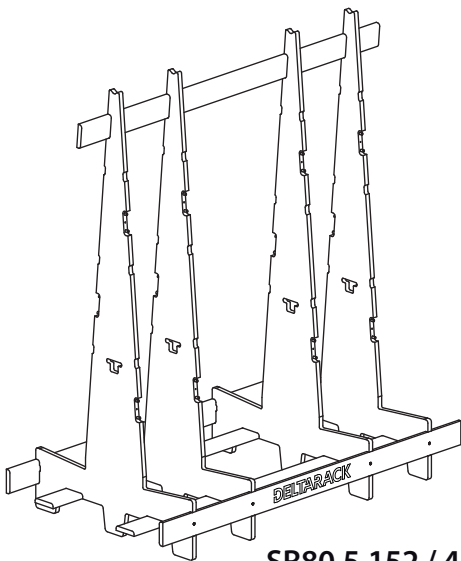


EXTENSIVE USE

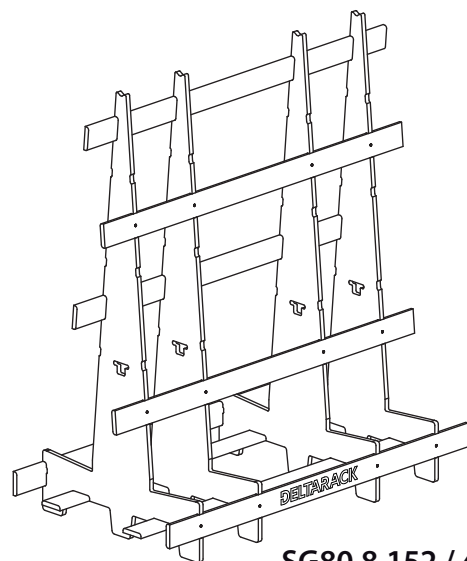
WEIGHT: 33 KG



Torx 20
⊕ x 32

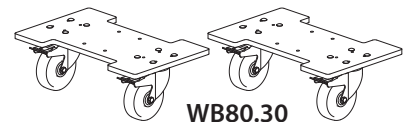


SR80.5.152 / 4 uprights



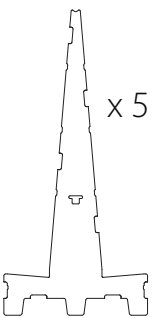
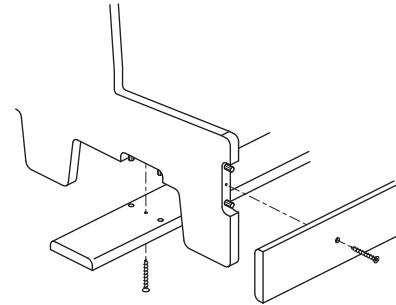
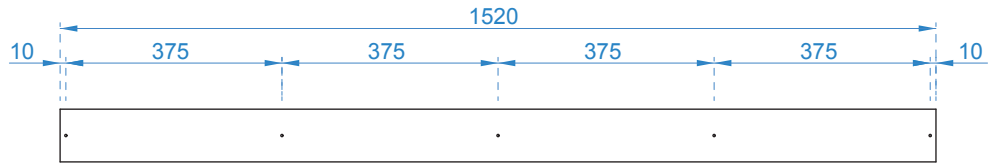
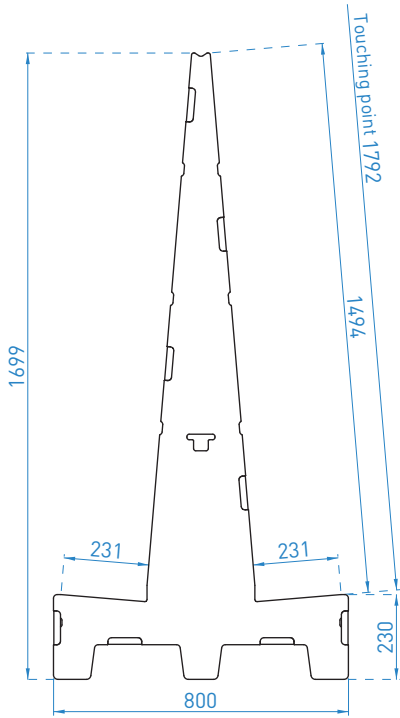
SG80.8.152 / 4 uprights

**Optional
Wheelboard
kit**



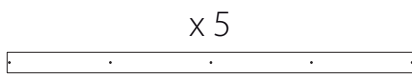
WB80.30

(*) Load needs to be equally distributed over all vertical uprights of the rack

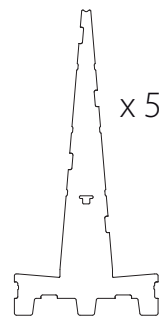


LIMITED USE

WEIGHT: 32 KG

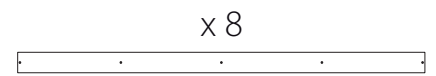


Torx 20
⊕ x 20

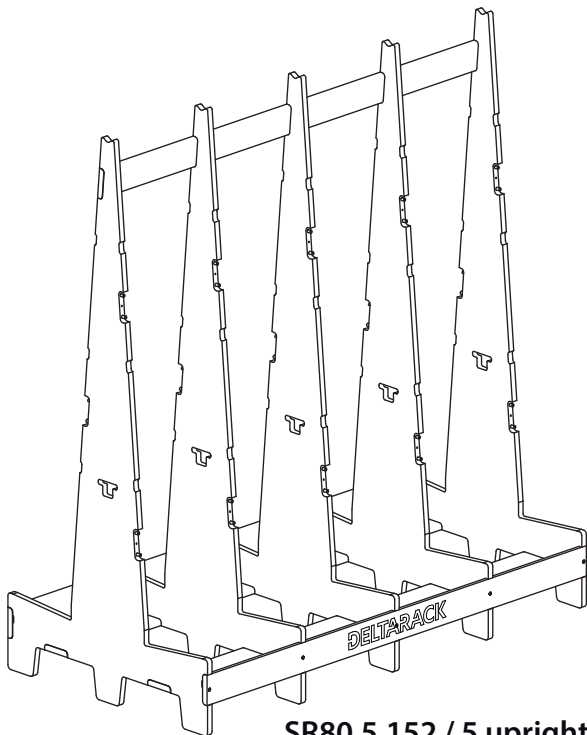


EXTENSIVE USE

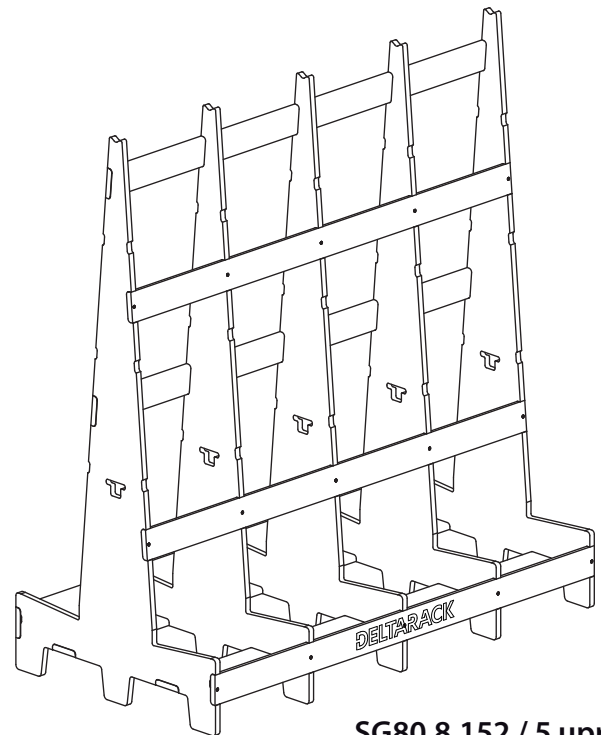
WEIGHT: 37 KG



Torx 20
⊕ x 32



SR80.5.152 / 5 uprights



SG80.8.152 / 5 uprights

(*) Load needs to be equally distributed over all vertical uprights of the rack