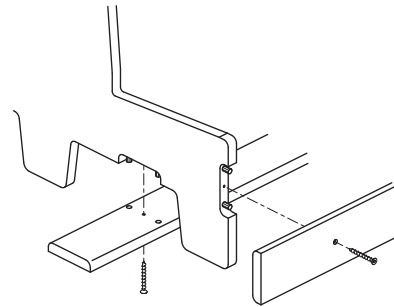
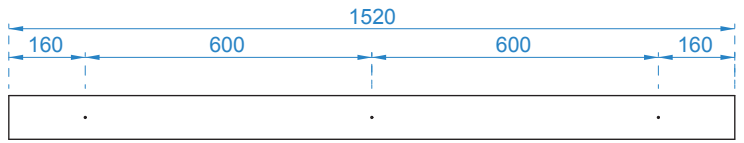
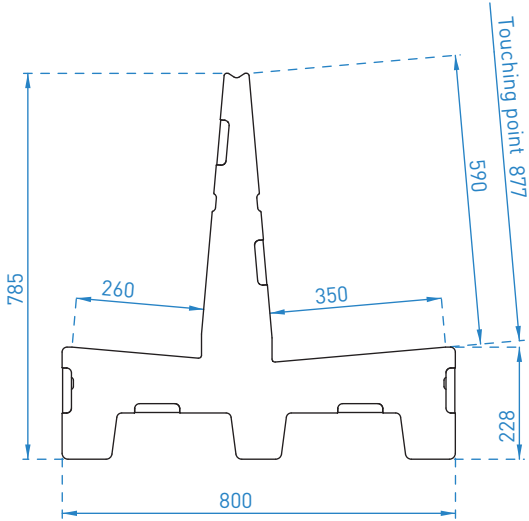


Assembly Guidelines

SB80.152/ 3 Uprights

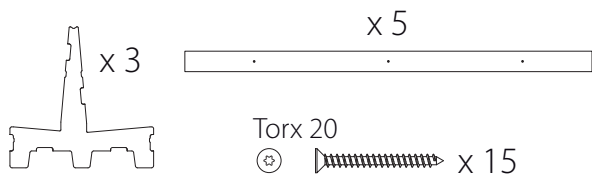
SB80.152/ 4 Uprights

SB80.152/ 5 Uprights



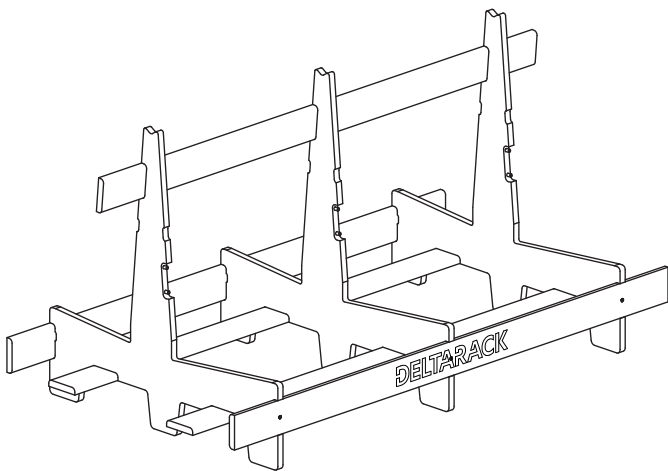
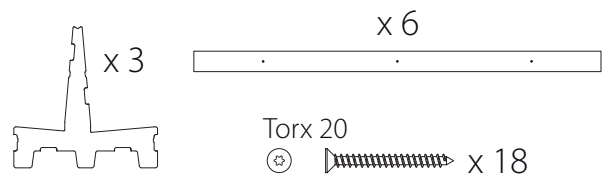
LIMITED USE

WEIGHT: 15 KG

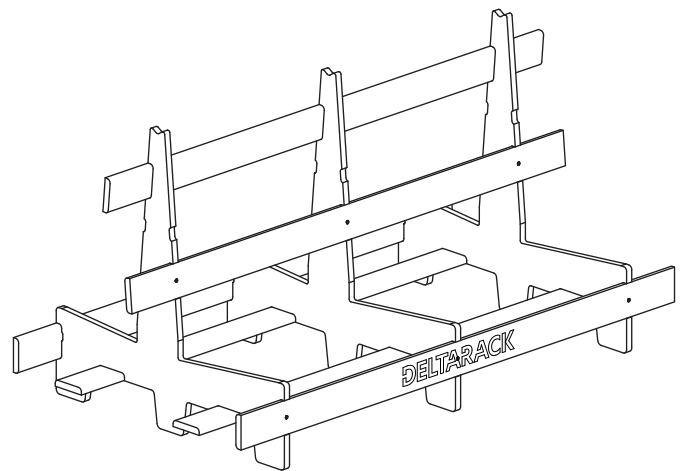


EXTENSIVE USE

WEIGHT: 17 KG

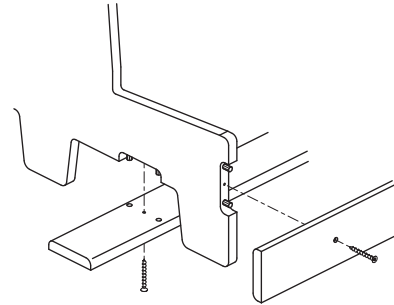
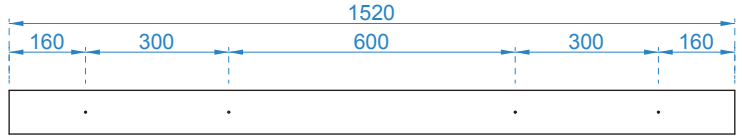
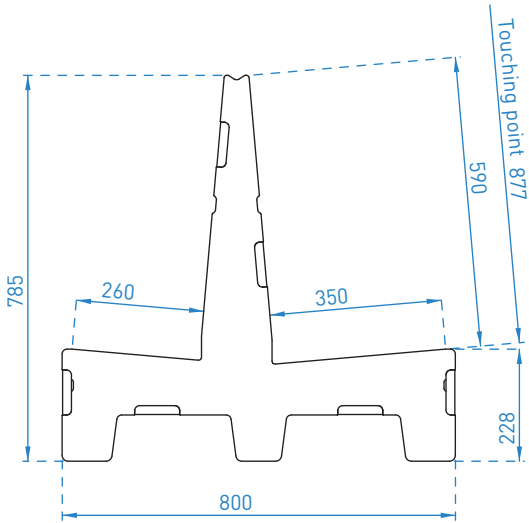


SB80.5.152 / 3 uprights



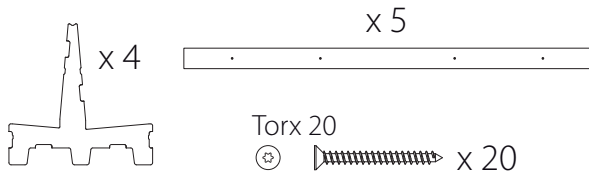
SB80.6.152 / 3 uprights

(*) Load needs to be equally distributed over all vertical uprights of the rack



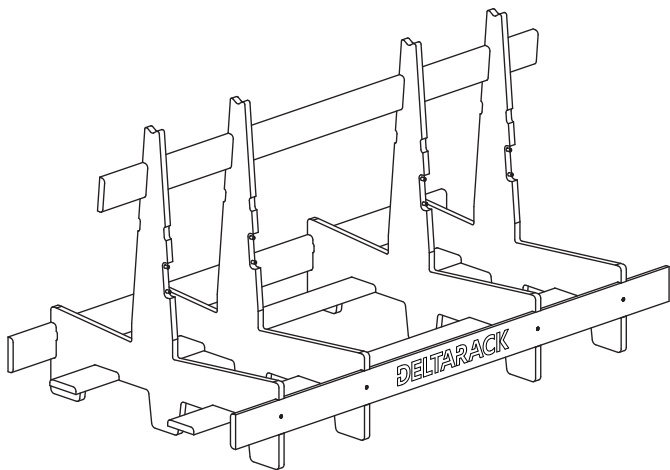
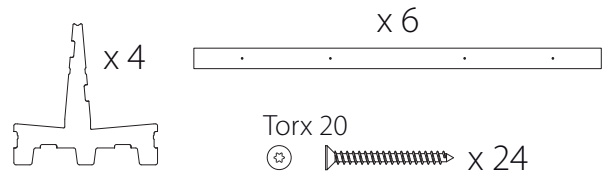
LIMITED USE

WEIGHT: 17 KG

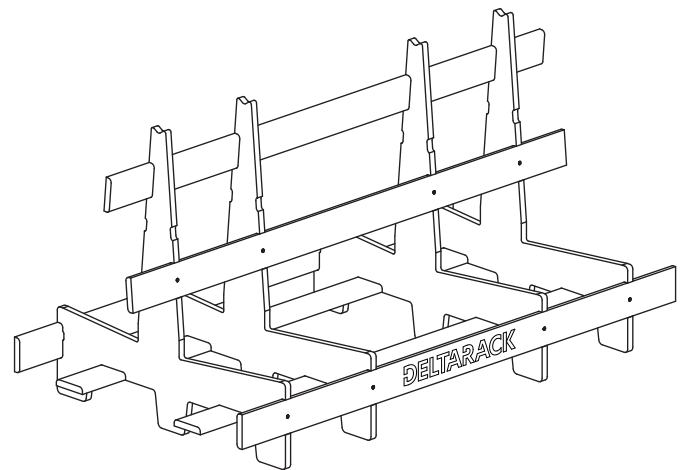


EXTENSIVE USE

WEIGHT: 19 KG

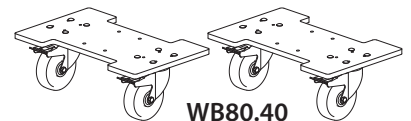


SB80.5.152 / 5 uprights

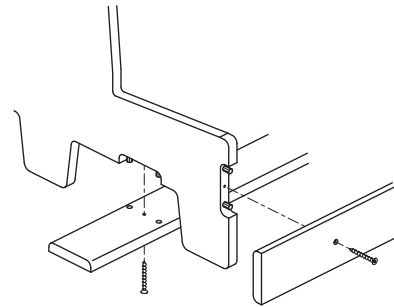
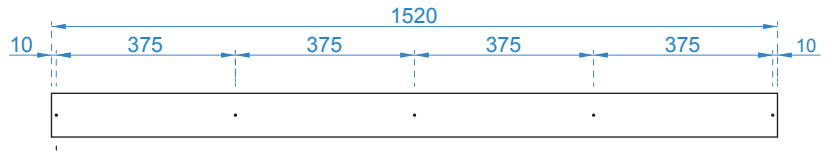
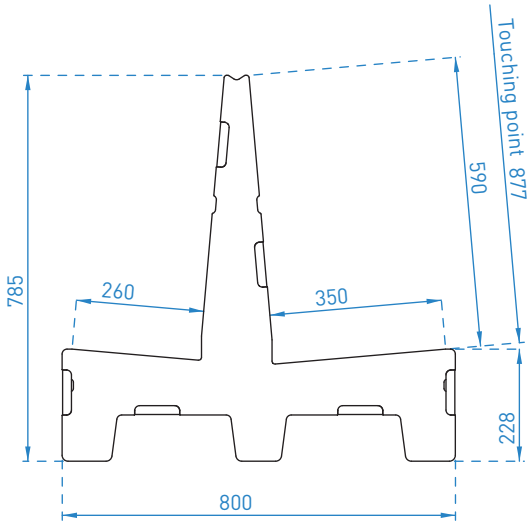


SB80.6.152 / 5 uprights

**Optional
Wheelboard
kit**

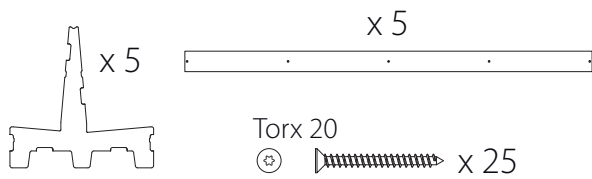


(*) Load needs to be equally distributed over all vertical uprights of the rack



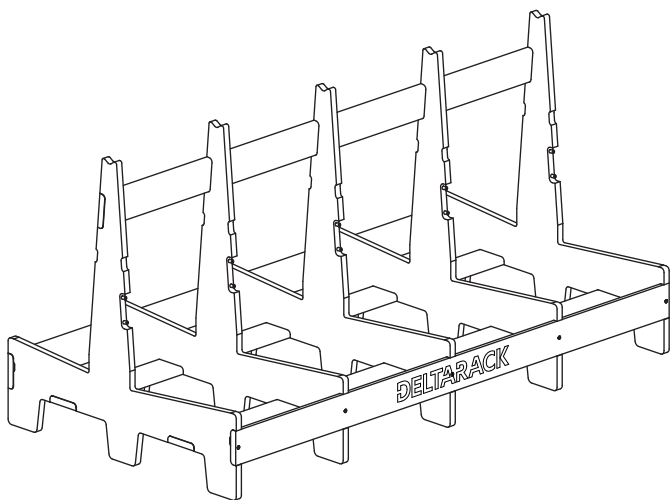
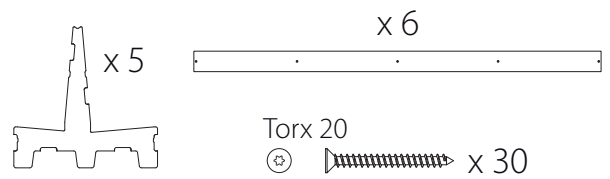
LIMITED USE

WEIGHT: 19 KG

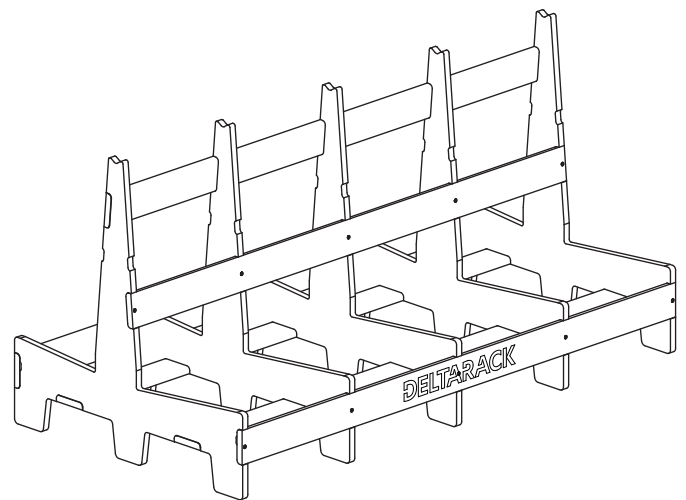


EXTENSIVE USE

WEIGHT: 21 KG



SB80.5.152 / 5 uprights



SB80.6.152 / 5 uprights

(* Load needs to be equally distributed over all vertical uprights of the rack