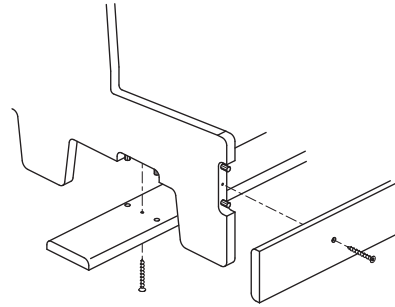
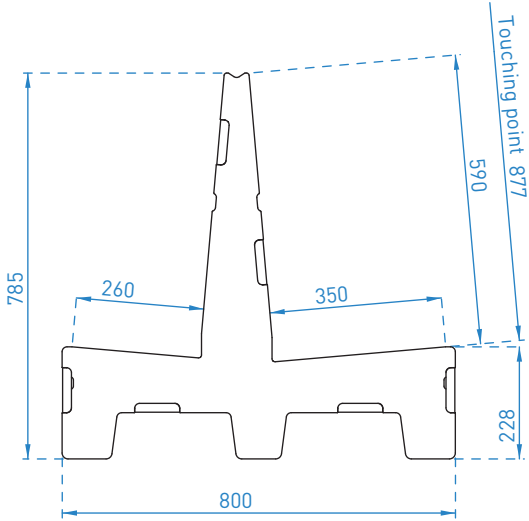
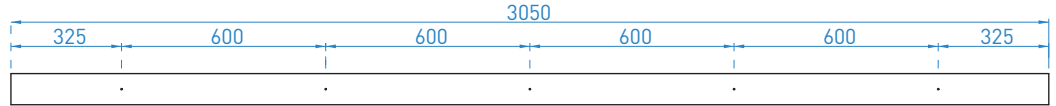


## Assembly Guidelines

**SB80.300/ 5 Uprights**

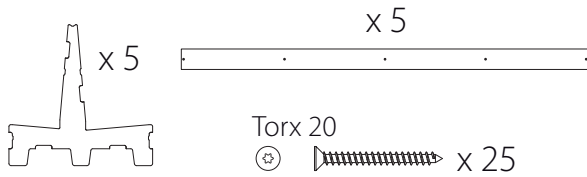
**SB80.300/ 6 Uprights**

**SB80.300/ 7 Uprights**



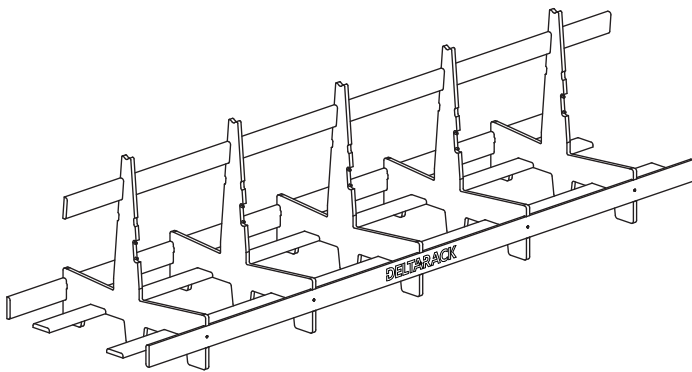
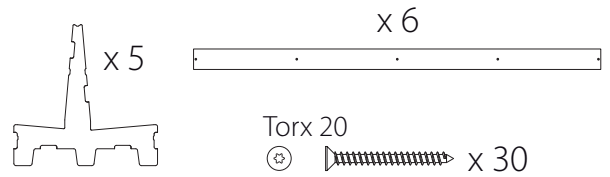
**LIMITED USE**

WEIGHT: 27 KG

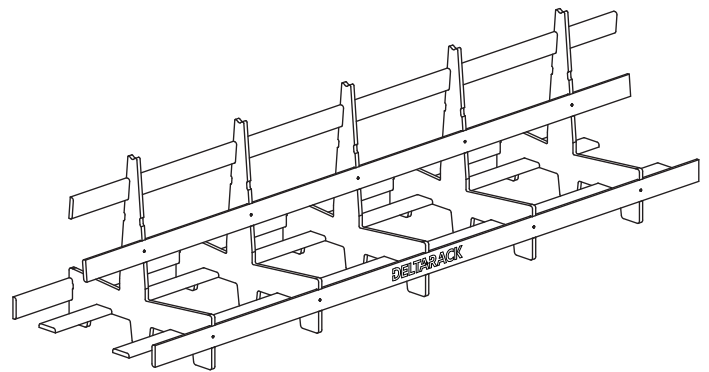


**EXTENSIVE USE**

WEIGHT: 31 KG

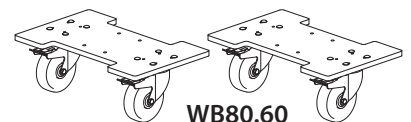


**SB80.5.300 / 5 uprights**

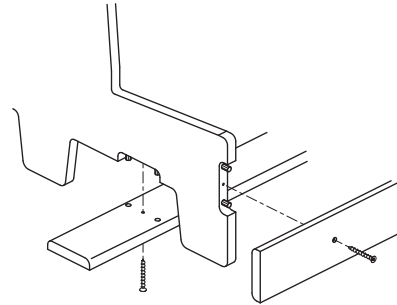
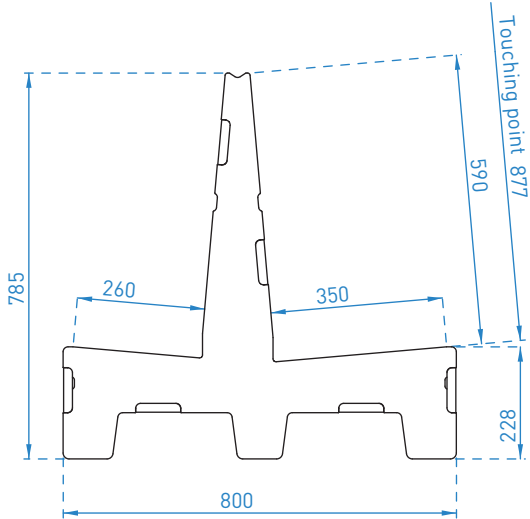
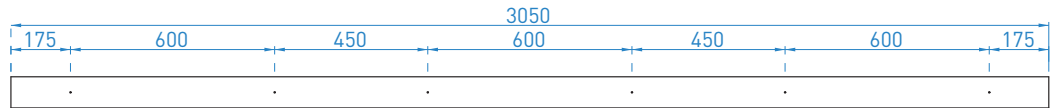


**SB80.6.300 / 5 uprights**

**Optional  
Wheelboard  
kit**

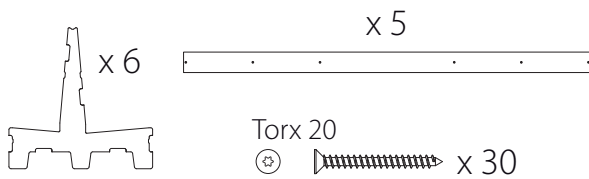


(\*) Load needs to be equally distributed over all vertical uprights of the rack



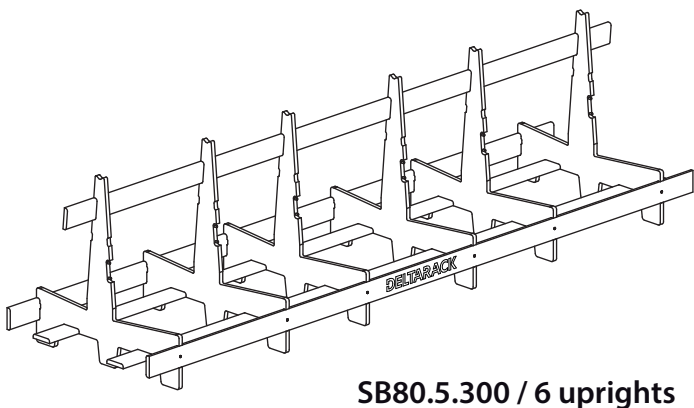
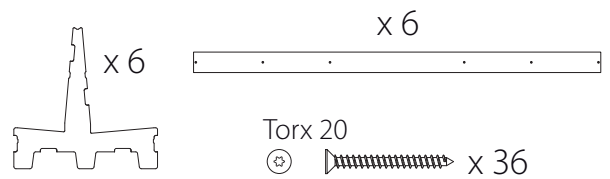
**LIMITED USE**

WEIGHT: 29 KG

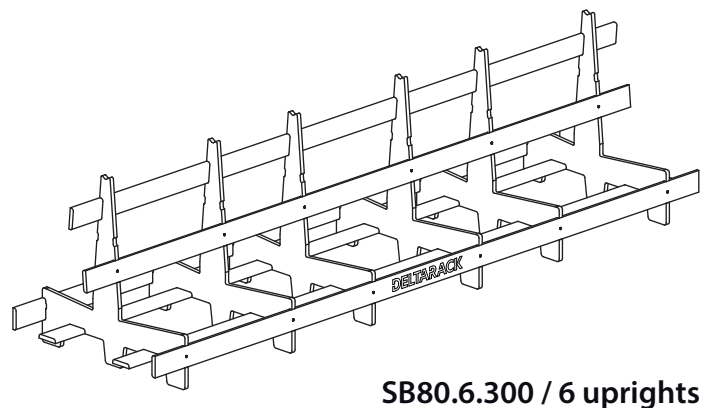


**EXTENSIVE USE**

WEIGHT: 33 KG

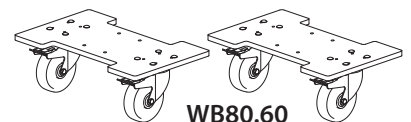


**SB80.5.300 / 6 uprights**



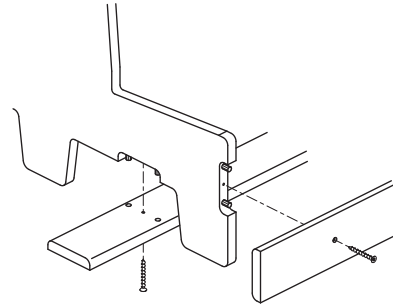
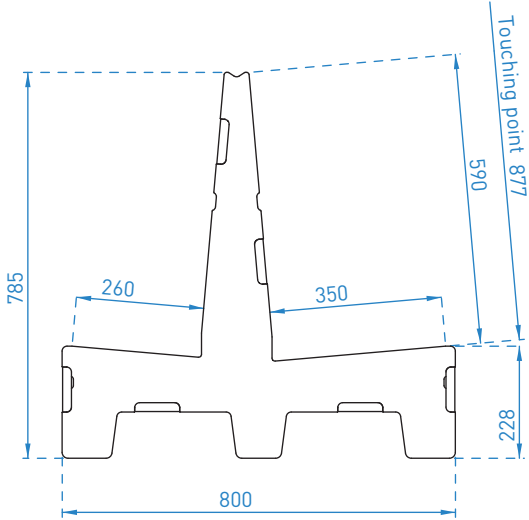
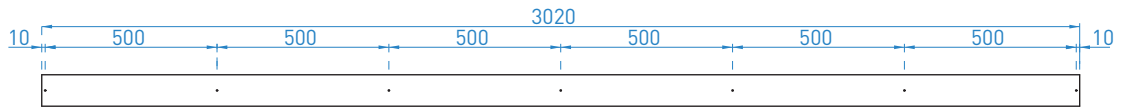
**SB80.6.300 / 6 uprights**

**Optional  
Wheelboard  
kit**



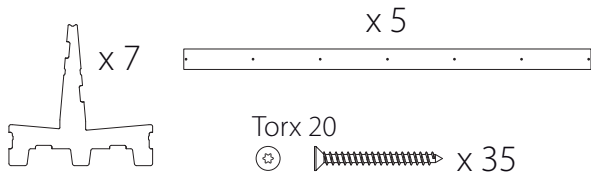
**WB80.60**

(\* ) Load needs to be equally distributed over all vertical uprights of the rack



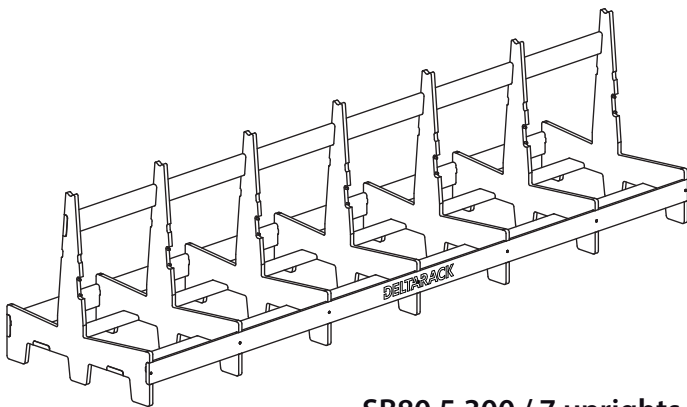
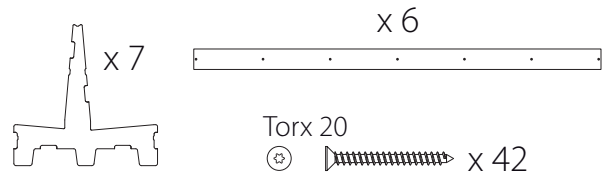
**LIMITED USE**

WEIGHT: 31 KG

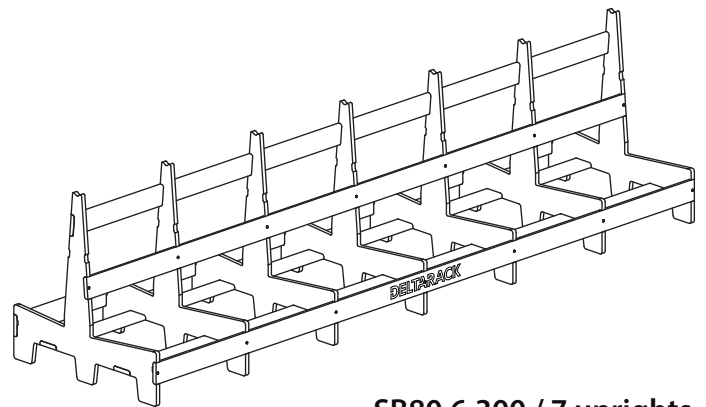


**EXTENSIVE USE**

WEIGHT: 35 KG



**SB80.5.300 / 7 uprights**



**SB80.6.300 / 7 uprights**

(\*) Load needs to be equally distributed over all vertical uprights of the rack