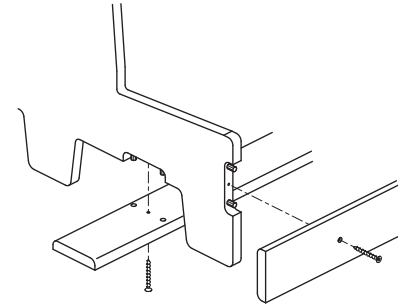
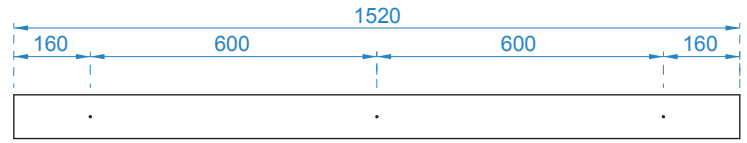
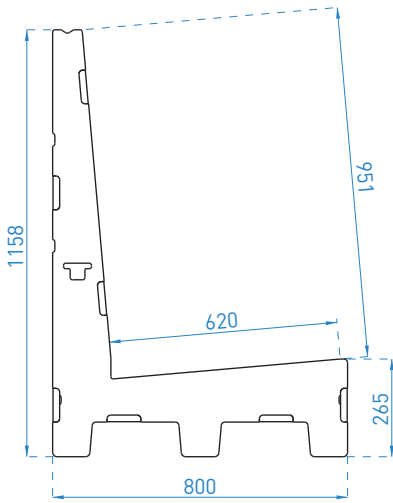


Assembly Guidelines

SL80.152/ 3 Uprights

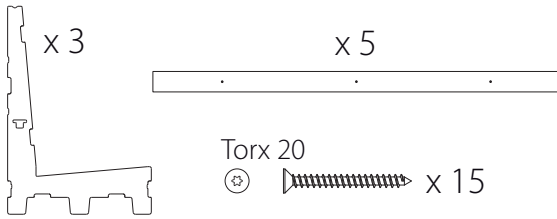
SL80.152/ 4 Uprights

SL80.152/ 5 Uprights



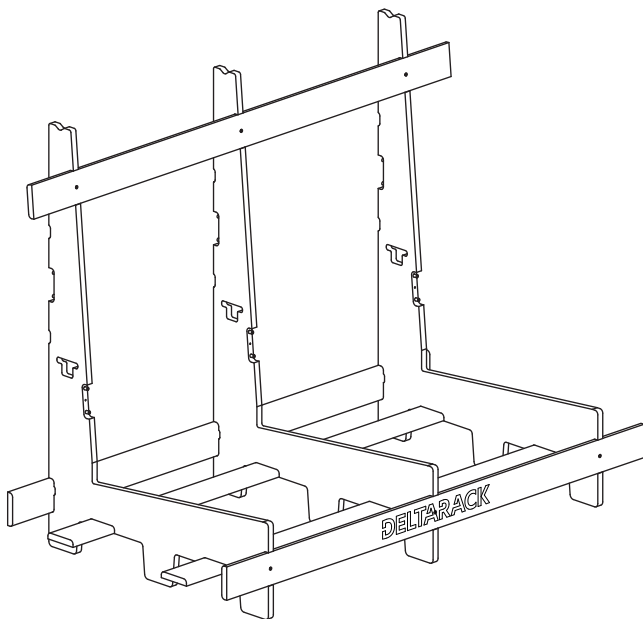
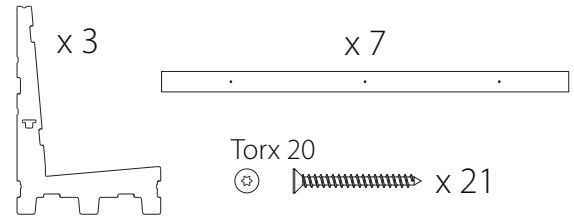
LIMITED USE

WEIGHT: 18 KG

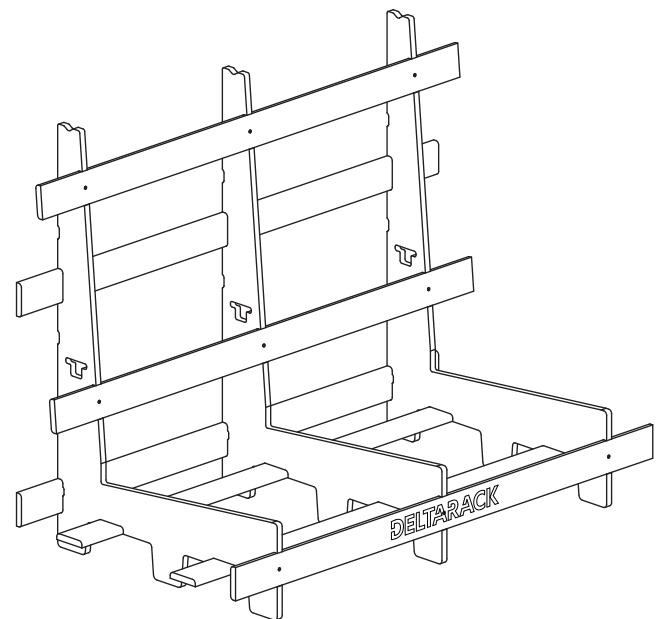


EXTENSIVE USE

WEIGHT: 22 KG

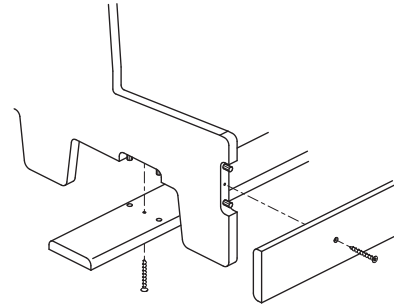
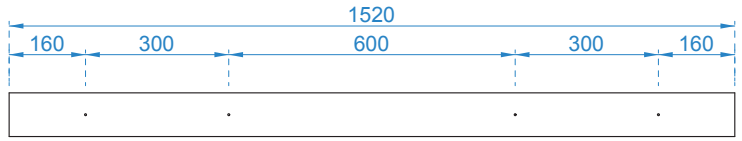
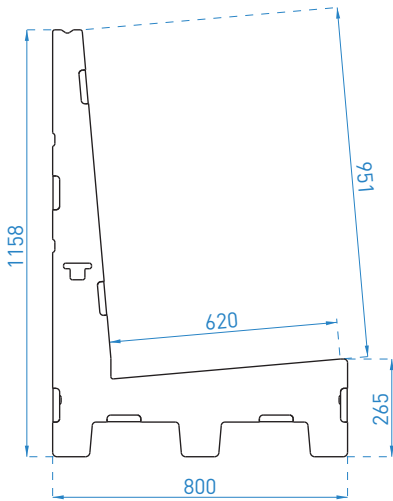


SL80.5.152 / 3 uprights



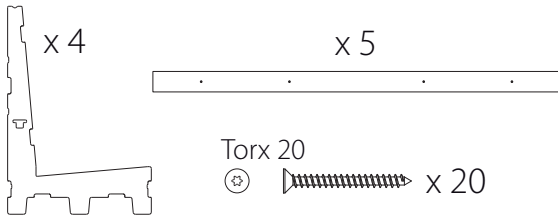
SL80.7.152 / 3 uprights

(*) Load needs to be equally distributed over all vertical uprights of the rack



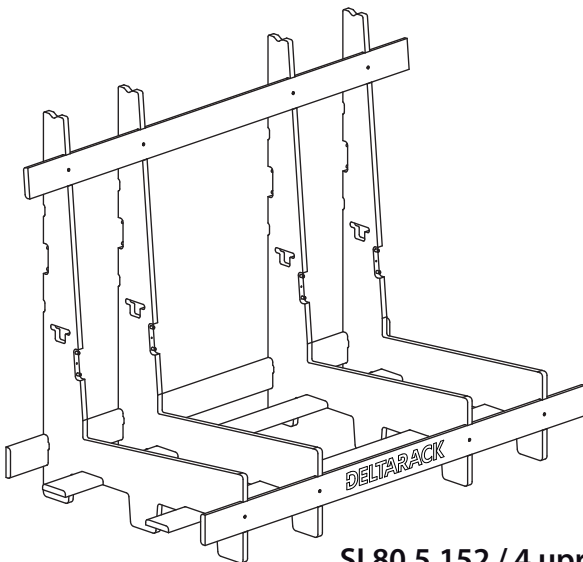
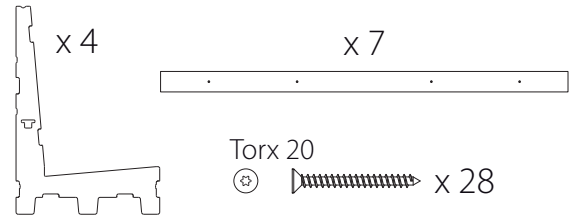
LIMITED USE

WEIGHT: 21 KG

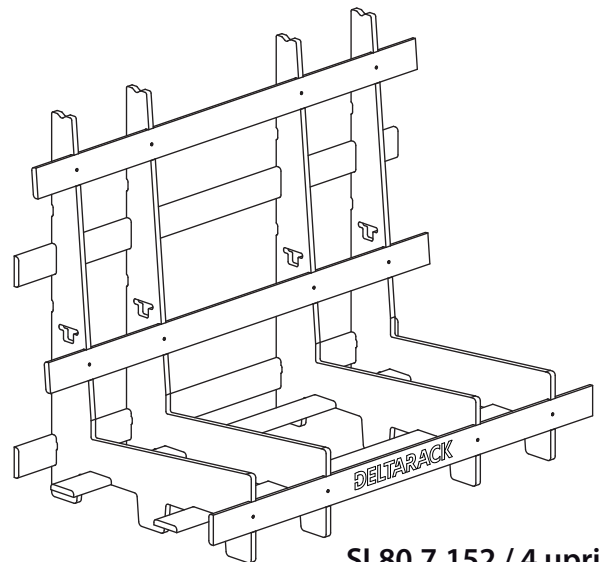


EXTENSIVE USE

WEIGHT: 25 KG

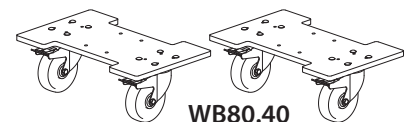


SL80.5.152 / 4 uprights

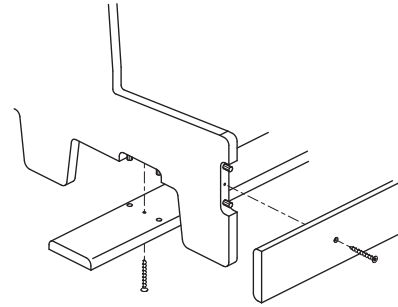
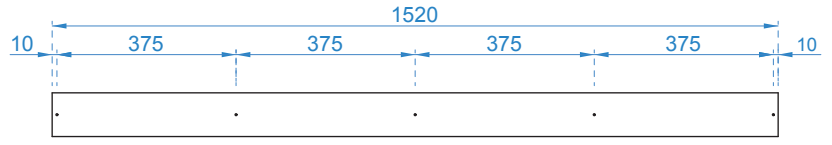
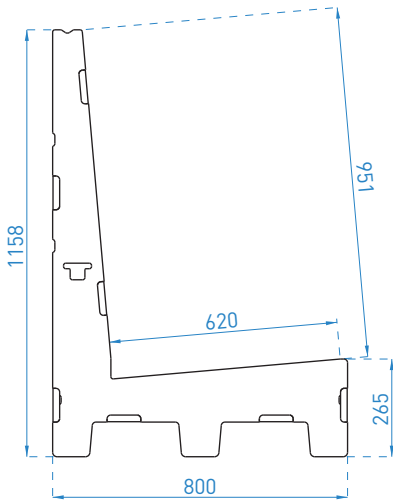


SL80.7.152 / 4 uprights

**Optional
Wheelboard
kit**

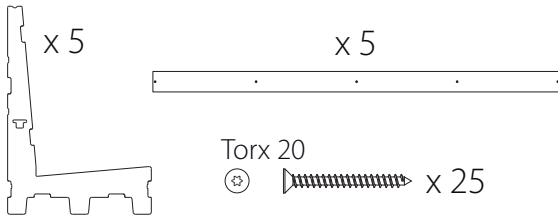


(*) Load needs to be equally distributed over all vertical uprights of the rack



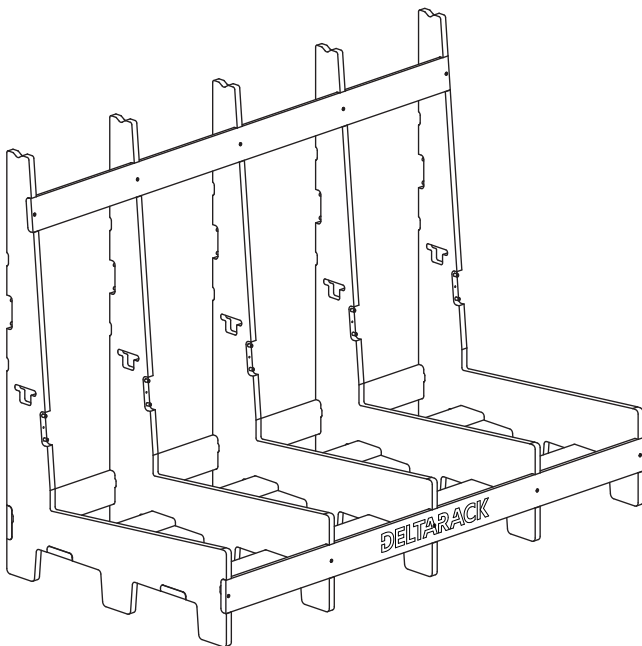
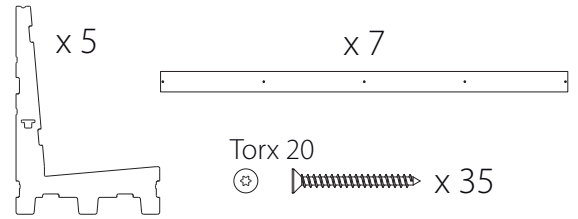
LIMITED USE

WEIGHT: 24 KG

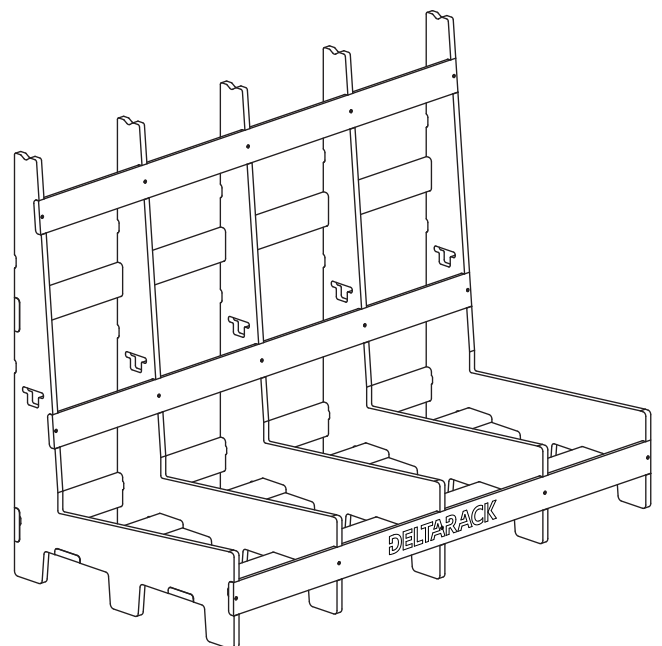


EXTENSIVE USE

WEIGHT: 28 KG



SL80.5.152 / 5 uprights



SL80.7.152 / 5 uprights

(*) Load needs to be equally distributed over all vertical uprights of the rack