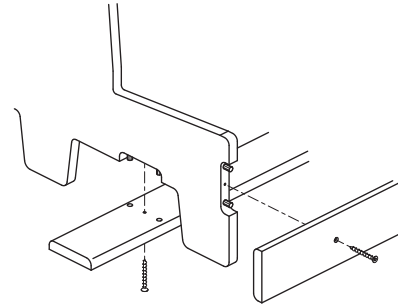
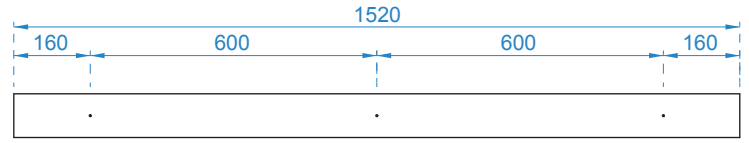
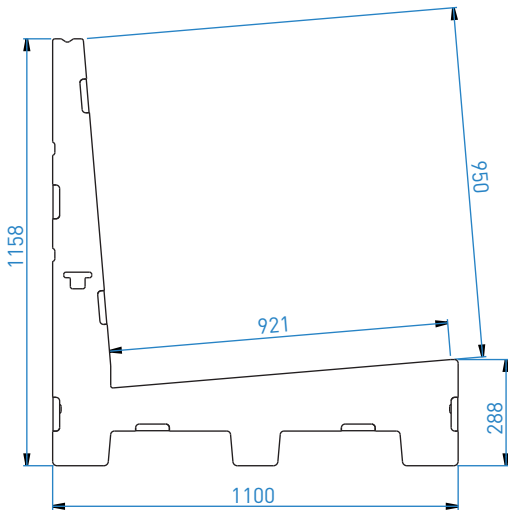


Assembly Guidelines

SL110.152/ 3 Uprights

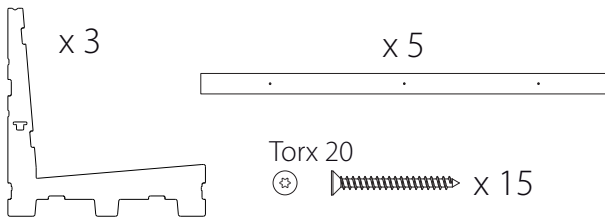
SL110.152/ 4 Uprights

SL110.152/ 5 Uprights



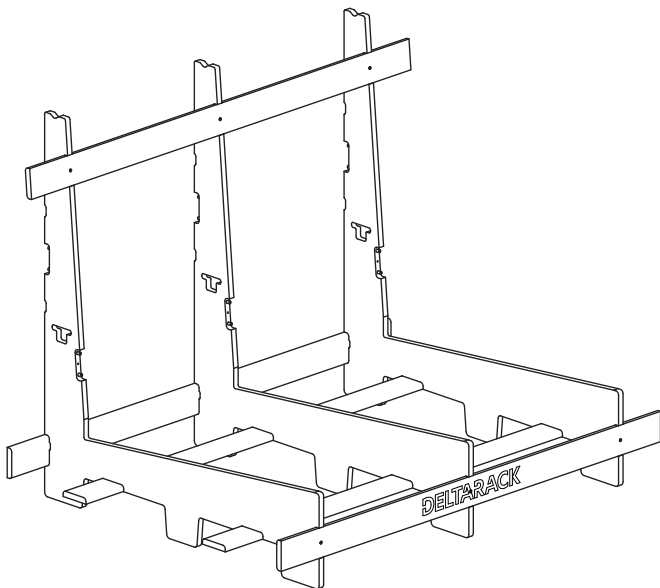
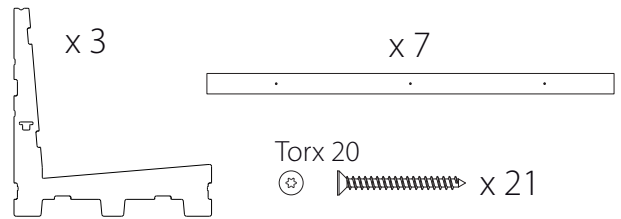
LIMITED USE

WEIGHT: 20 KG

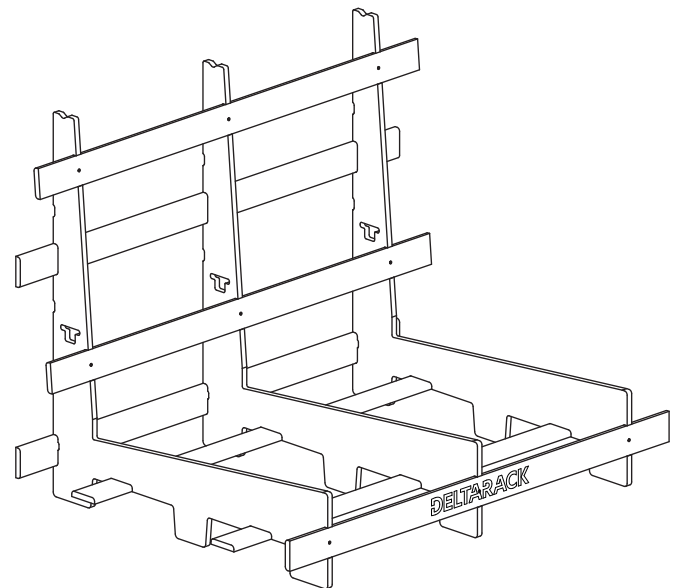


EXTENSIVE USE

WEIGHT: 23 KG

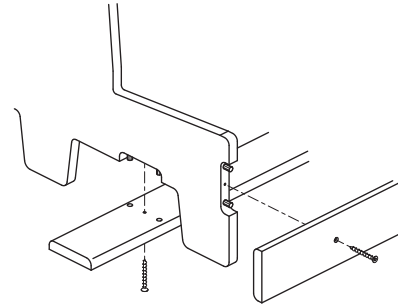
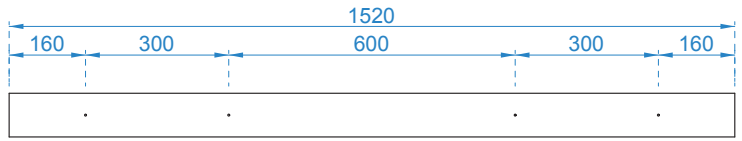
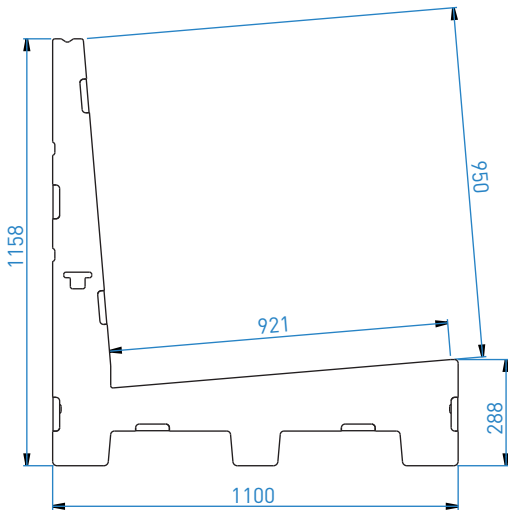


SL110.5.152 / 3 uprights



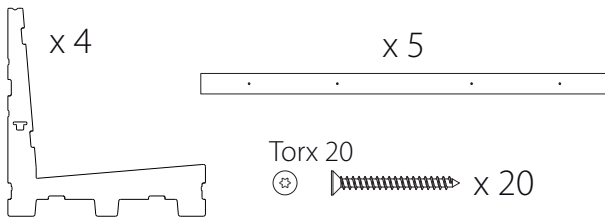
SL110.7.152 / 3 uprights

(*) Load needs to be equally distributed over all vertical uprights of the rack



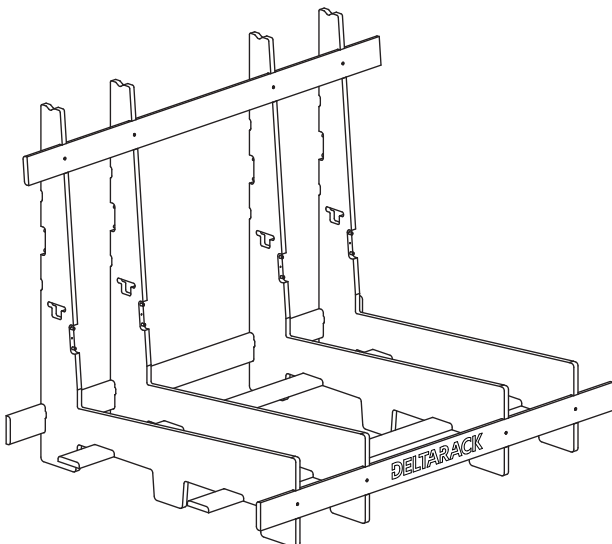
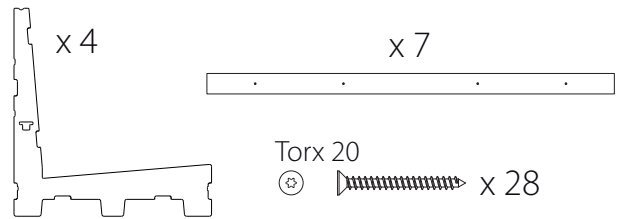
LIMITED USE

WEIGHT: 23 KG

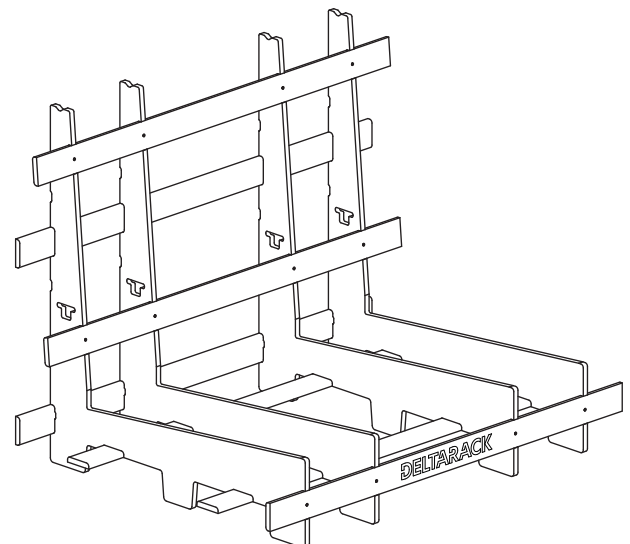


EXTENSIVE USE

WEIGHT: 27 KG

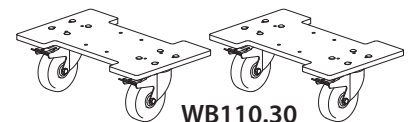


SL110.5.152 / 4 uprights



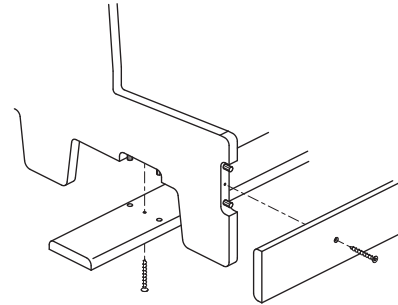
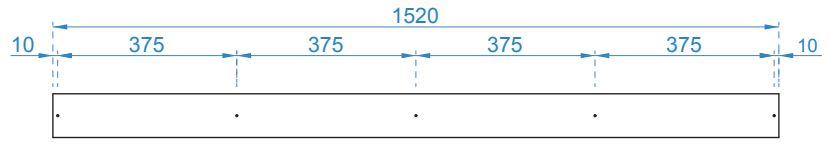
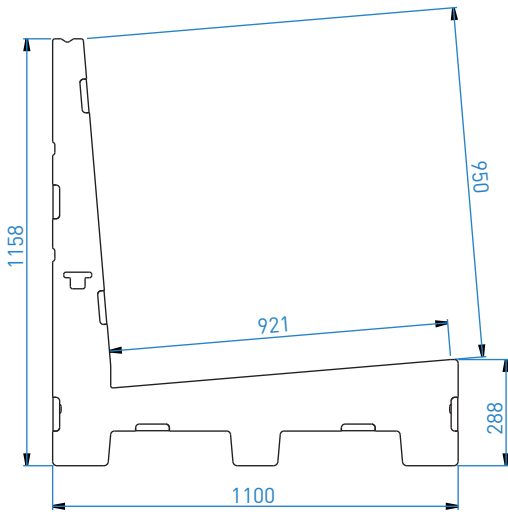
SL110.7.152 / 4 uprights

**Optional
Wheelboard
kit**



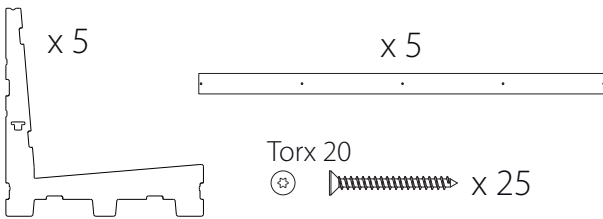
WB110.30

(*) Load needs to be equally distributed over all vertical uprights of the rack



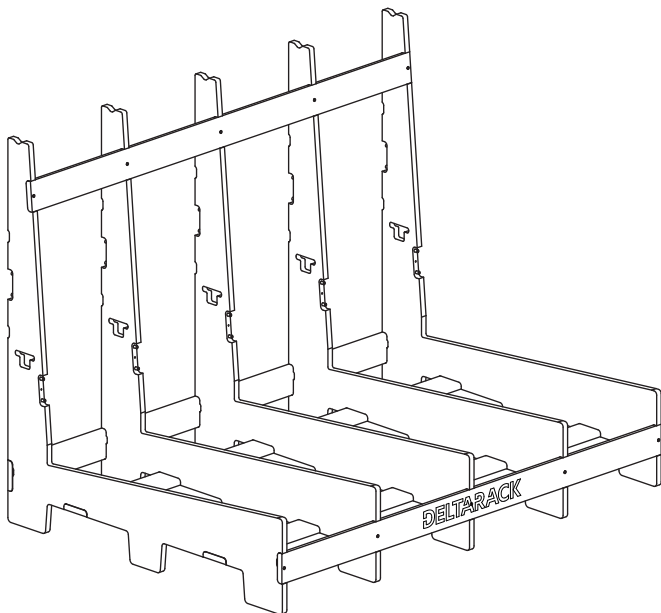
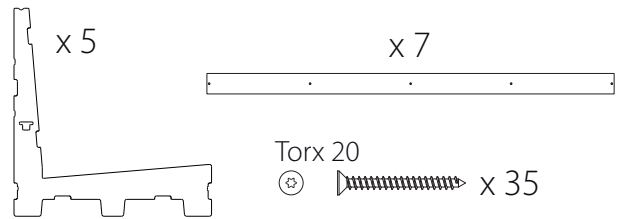
LIMITED USE

WEIGHT: 27 KG

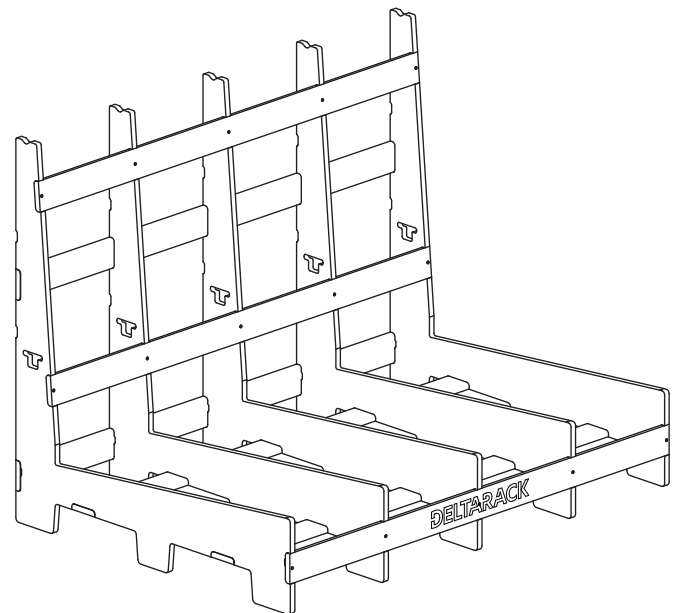


EXTENSIVE USE

WEIGHT: 30 KG



SL110.5.152 / 5 uprights



SL110.7.152 / 5 uprights

(*) Load needs to be equally distributed over all vertical uprights of the rack