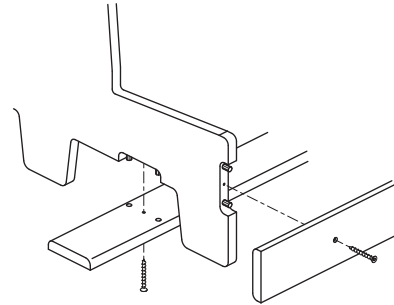
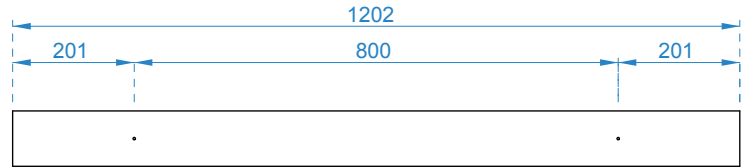
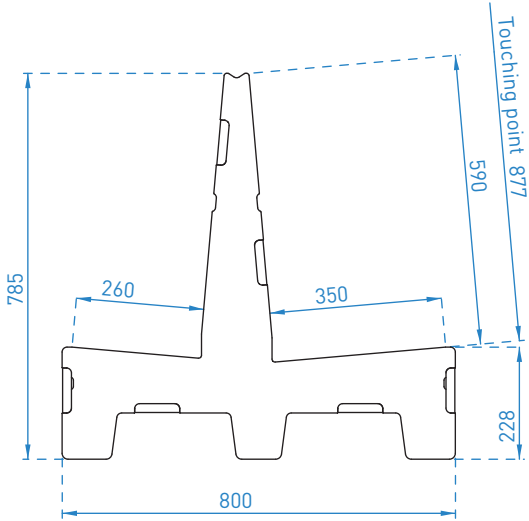


Assembly Guidelines

SB80.120/ 2 Uprights

SB80.120/ 3 Uprights

SB80.120/ 4 Uprights



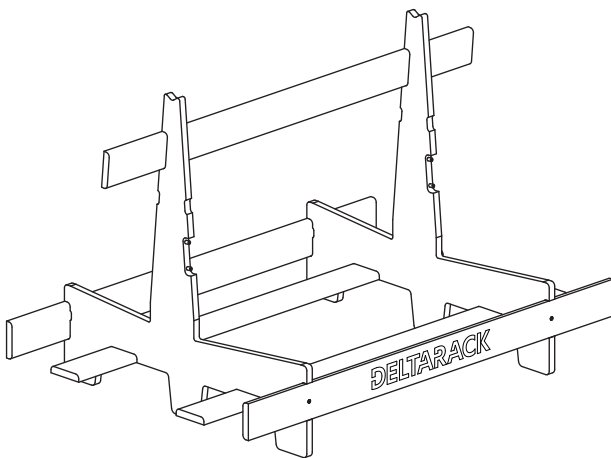
LIMITED USE

WEIGHT: 11 KG

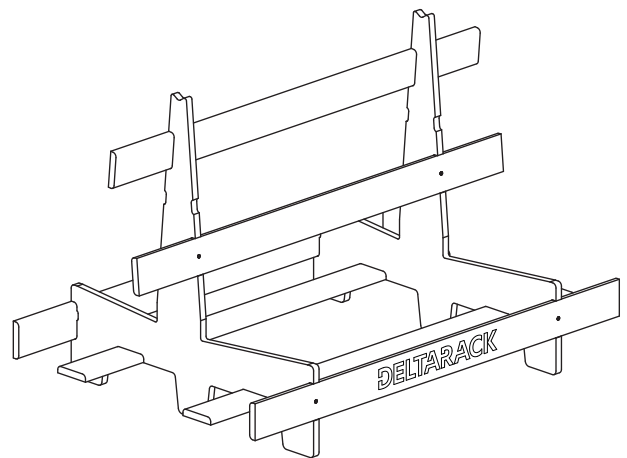


EXTENSIVE USE

WEIGHT: 13 KG

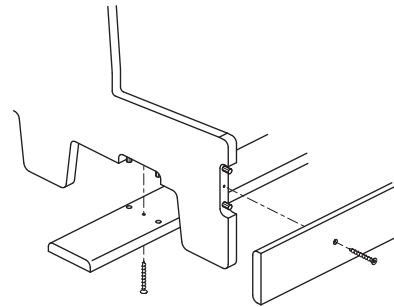
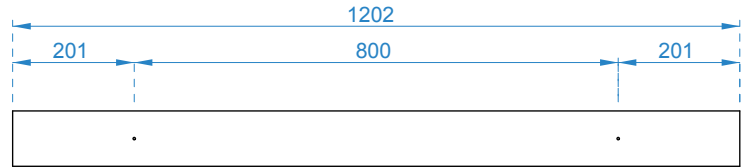
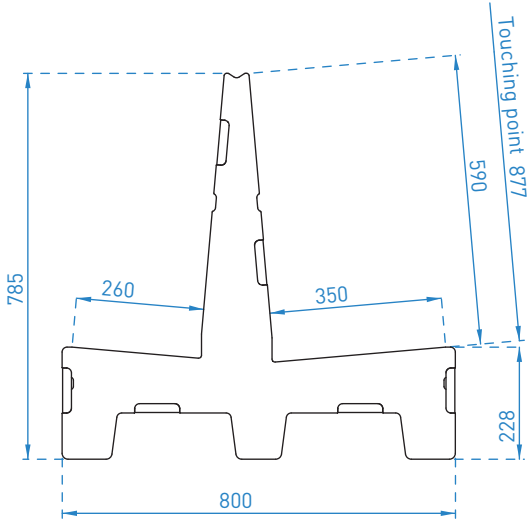


SB80.5.120 / 2 uprights



SB80.6.120 / 2 uprights

(*) Load needs to be equally distributed over all vertical uprights of the rack



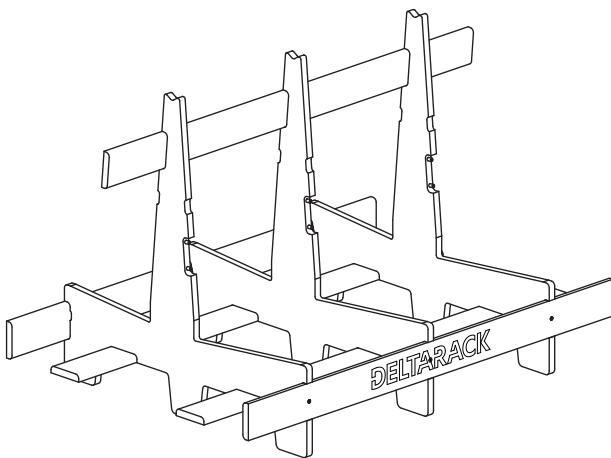
LIMITED USE

WEIGHT: 13 KG

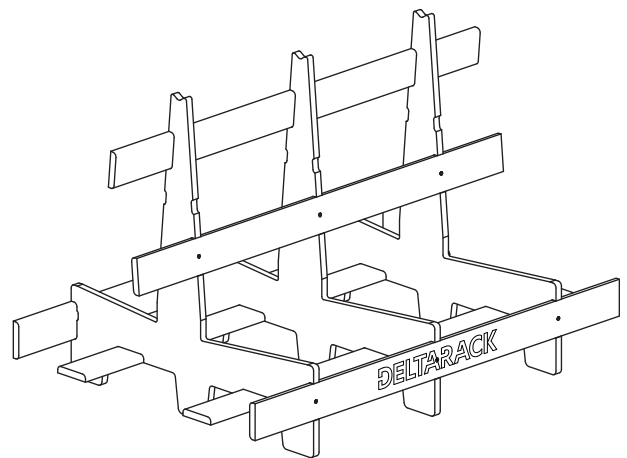


EXTENSIVE USE

WEIGHT: 15 KG

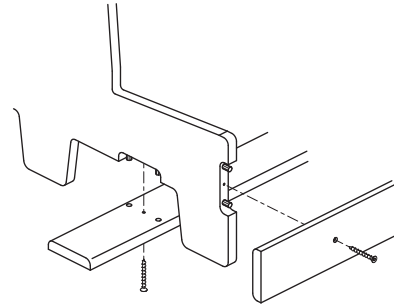
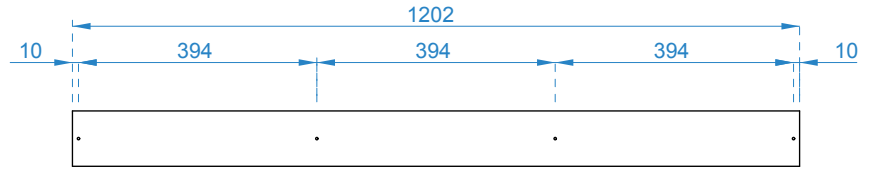
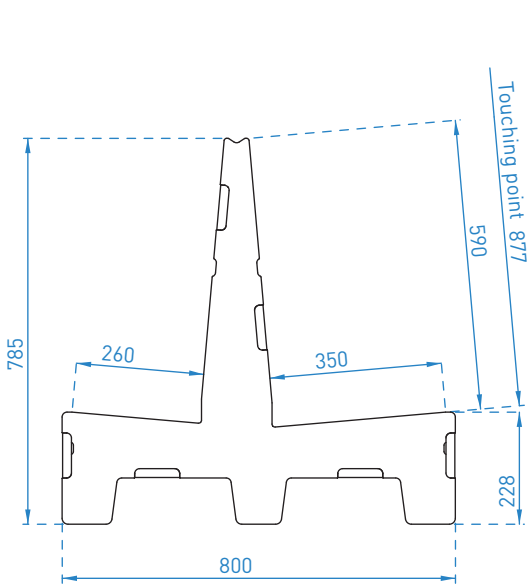


SB80.5.120 / 3 uprights



SB80.6.120 / 3 uprights

(*) Load needs to be equally distributed over all vertical uprights of the rack



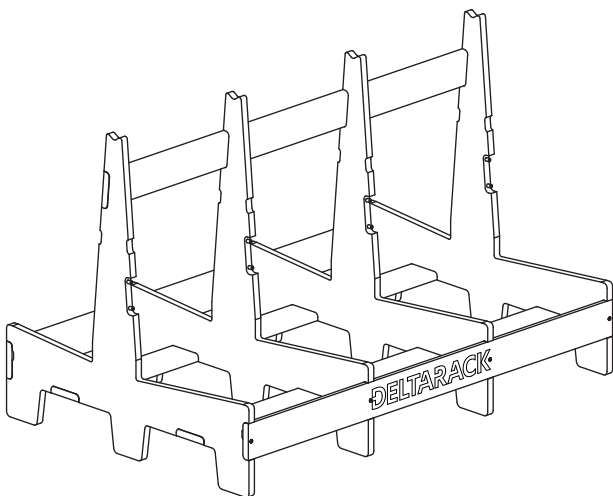
LIMITED USE

WEIGHT: 15 KG

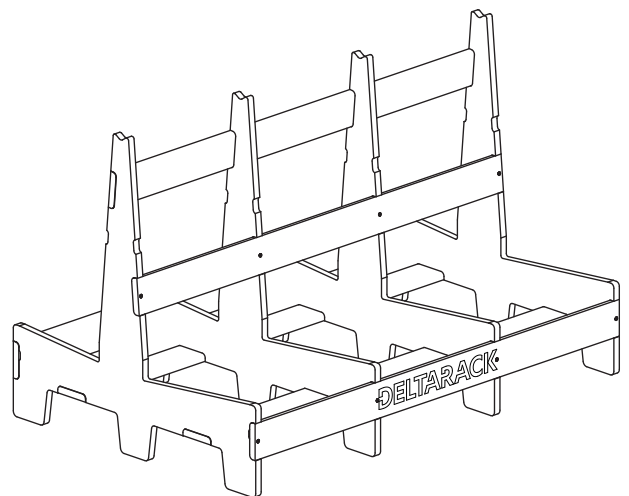


EXTENSIVE USE

WEIGHT: 17 KG



SB80.5.120 / 4 uprights



SB80.6.120 / 4 uprights

(*) Load needs to be equally distributed over all vertical uprights of the rack