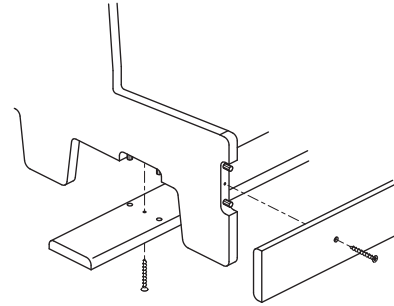
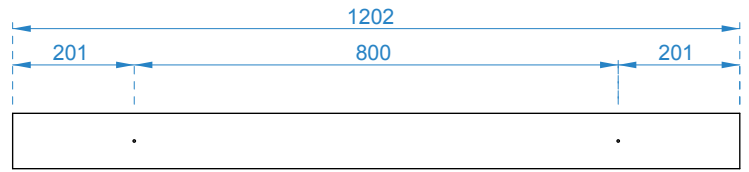
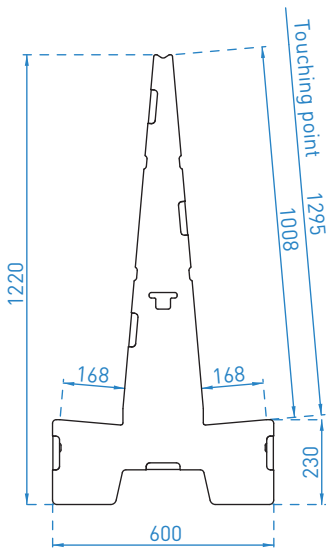


Assembly Guidelines

SG60.120/ 2 Uprights

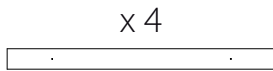
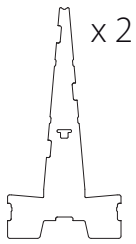
SG60.120/ 3 Uprights

SG60.120/ 4 Uprights



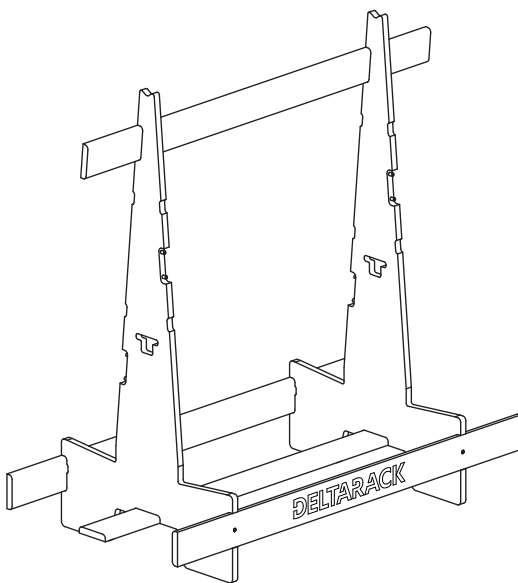
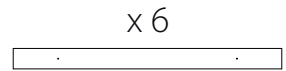
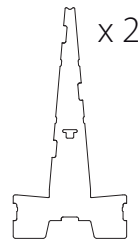
LIMITED USE

WEIGHT: 11 KG

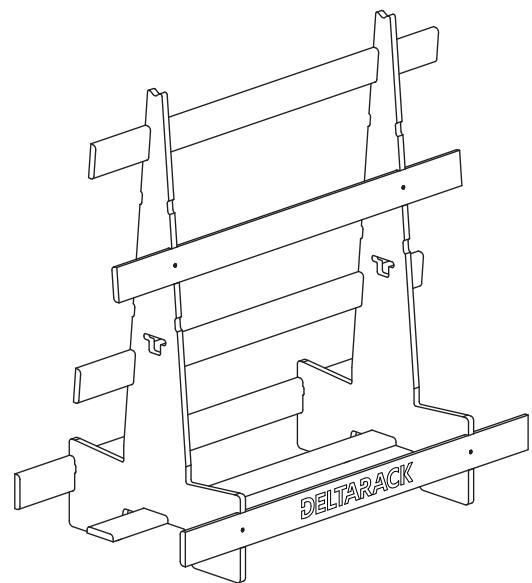


EXTENSIVE USE

WEIGHT: 14 KG

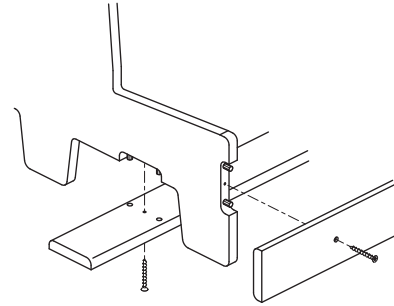
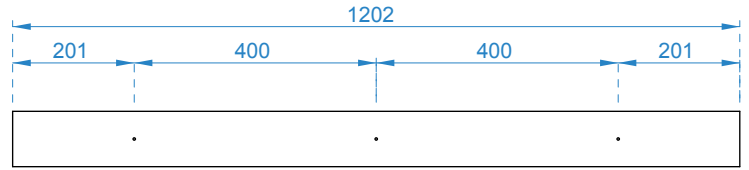
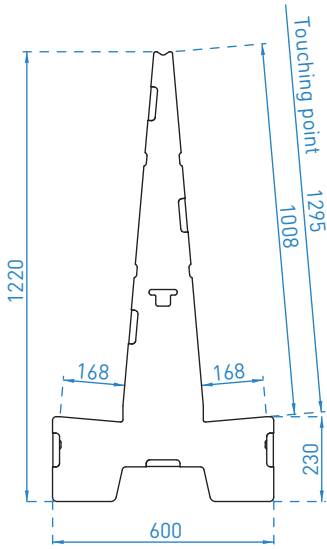


SG60.4.120 / 2 uprights



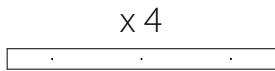
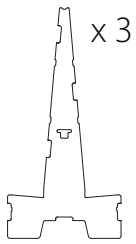
SG60.6.120 / 2 uprights

(*) Load needs to be equally distributed over all vertical uprights of the rack



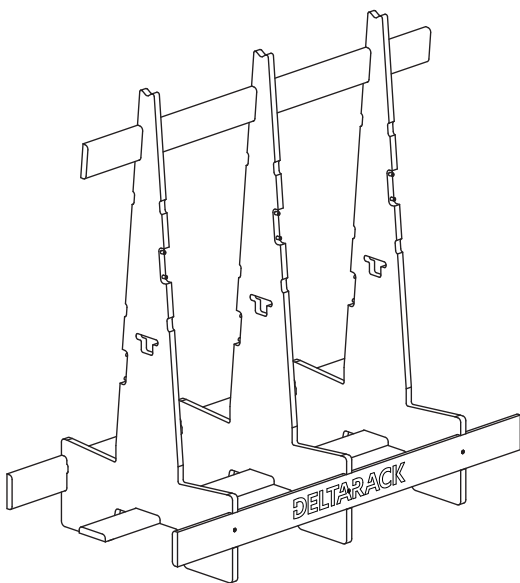
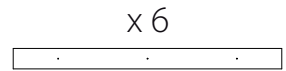
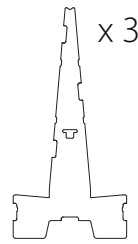
LIMITED USE

WEIGHT: 14 KG

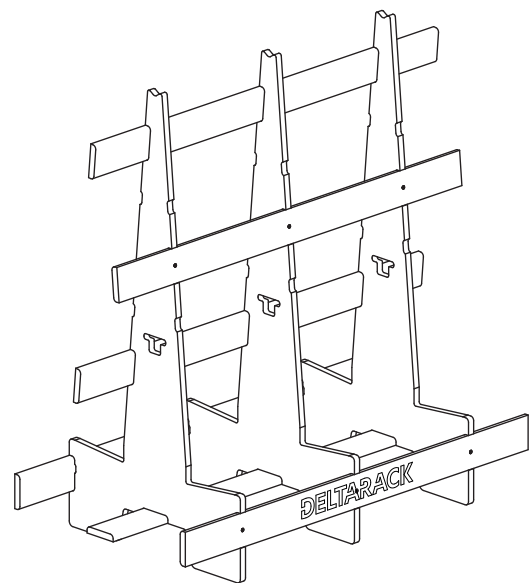


EXTENSIVE USE

WEIGHT: 17 KG

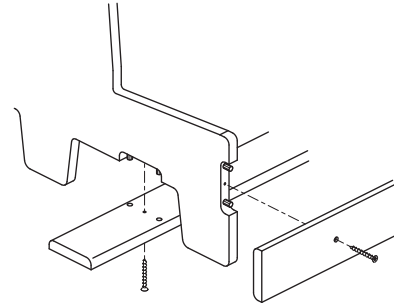
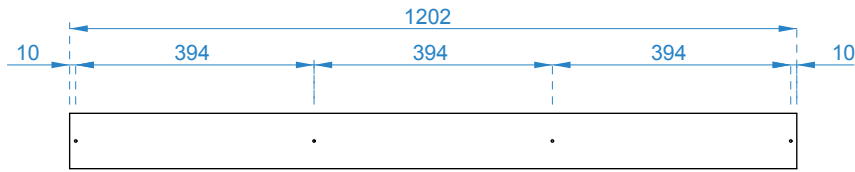
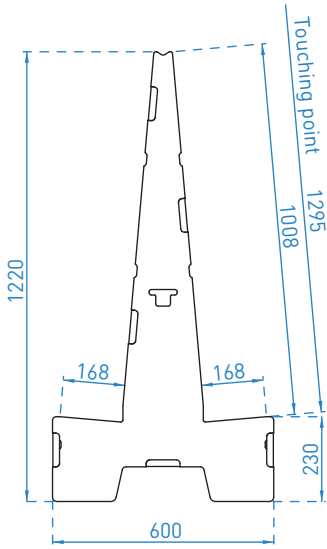


SG60.4.120 / 3 uprights



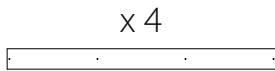
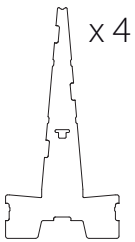
SG60.6.120 / 3 uprights

(*) Load needs to be equally distributed over all vertical uprights of the rack



LIMITED USE

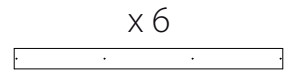
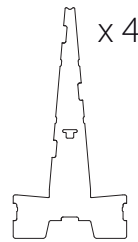
WEIGHT: 17 KG



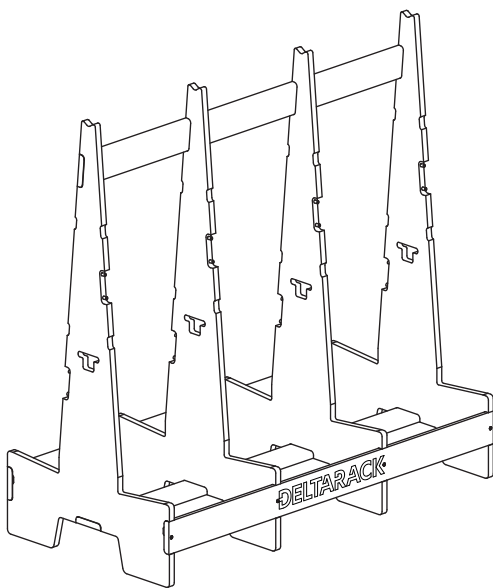
Torx 20
⊗  x 16

EXTENSIVE USE

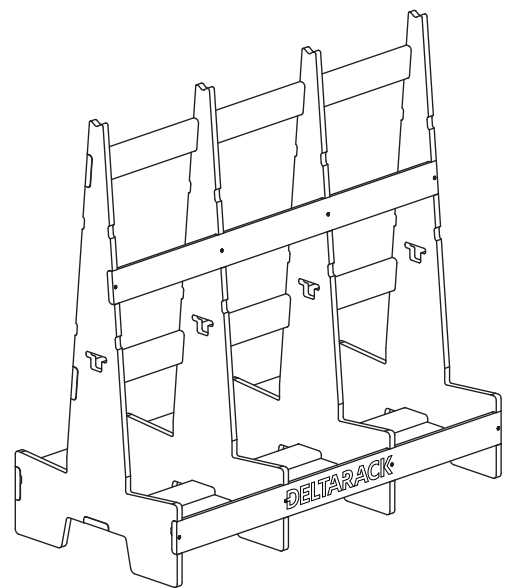
WEIGHT: 20 KG



Torx 20
⊗  x 24



SG60.4.120 / 4 uprights



SG60.6.120 / 4 uprights

(*) Load needs to be equally distributed over all vertical uprights of the rack