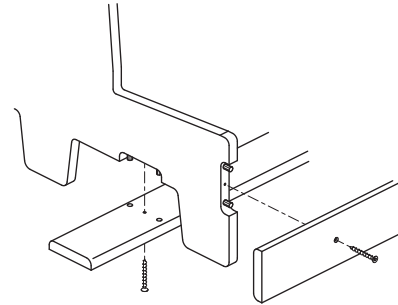
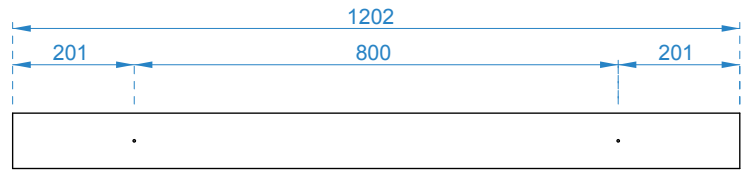
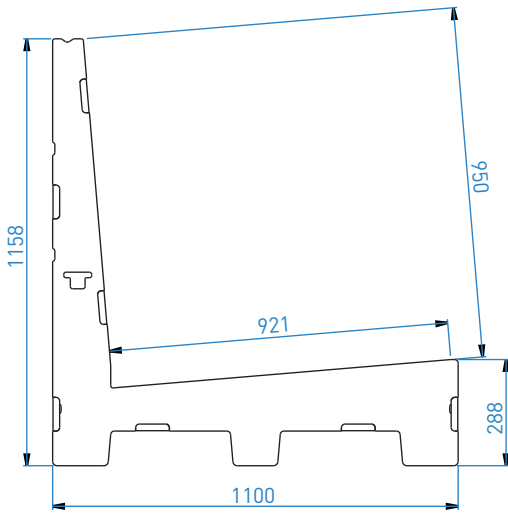


Assembly Guidelines

SL110.120/ 2 Uprights

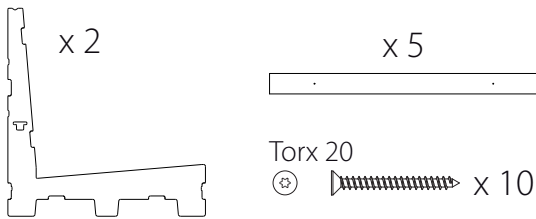
SL110.120/ 3 Uprights

SL110.120/ 4 Uprights



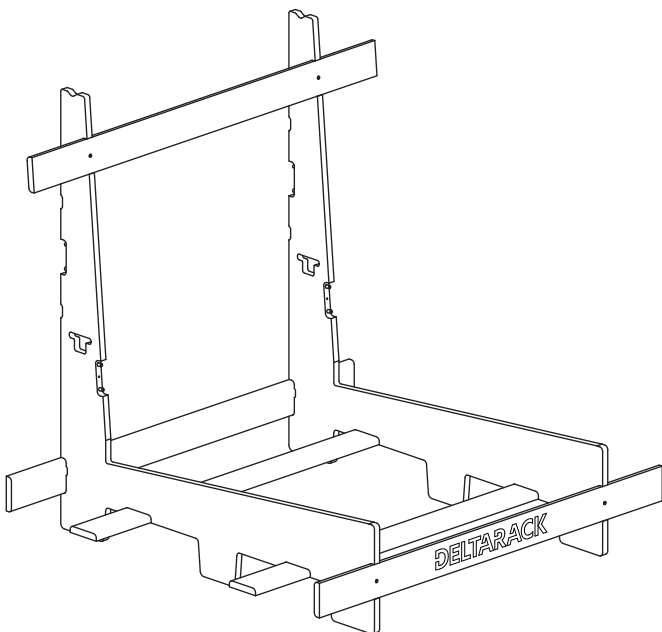
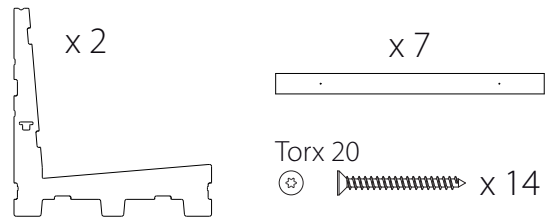
LIMITED USE

WEIGHT: 14 KG

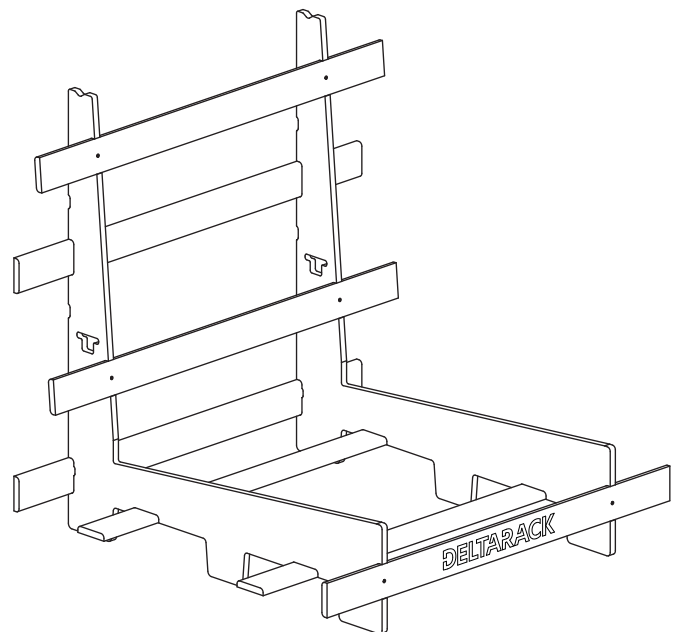


EXTENSIVE USE

WEIGHT: 17 KG

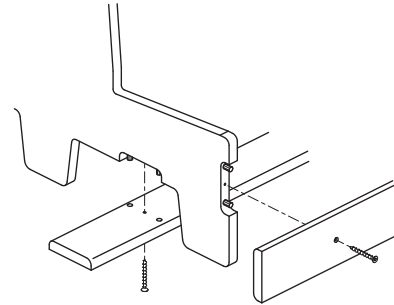
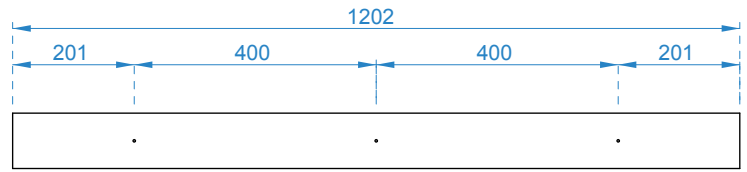
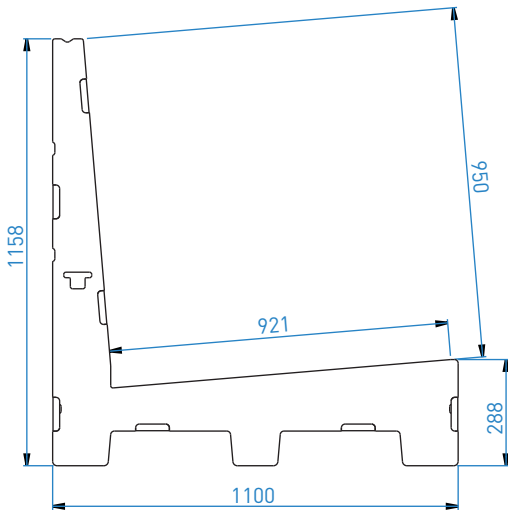


SL110.5.120 / 2 uprights



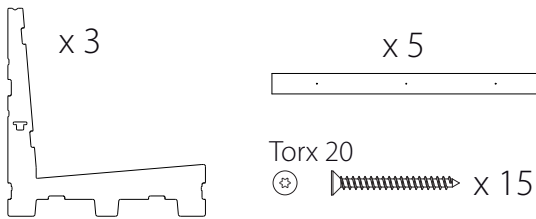
SL110.7.120 / 2 uprights

(*) Load needs to be equally distributed over all vertical uprights of the rack



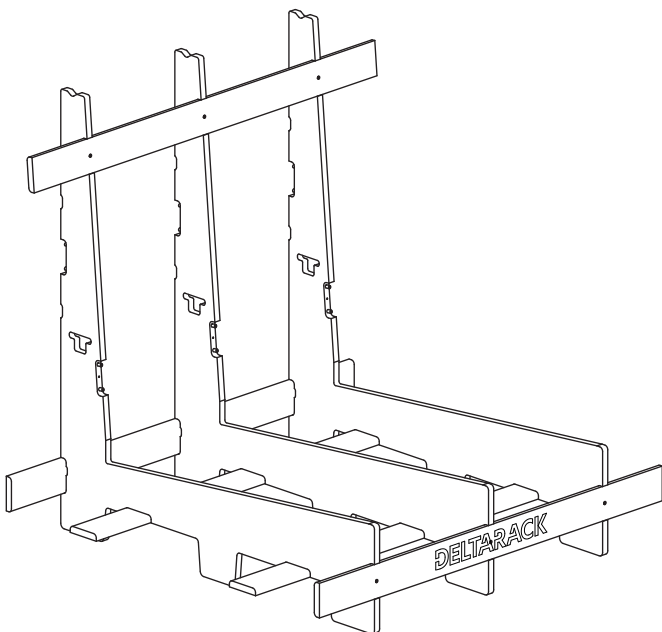
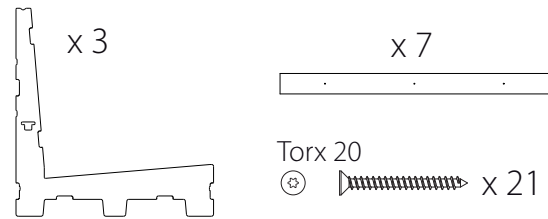
LIMITED USE

WEIGHT: 18 KG

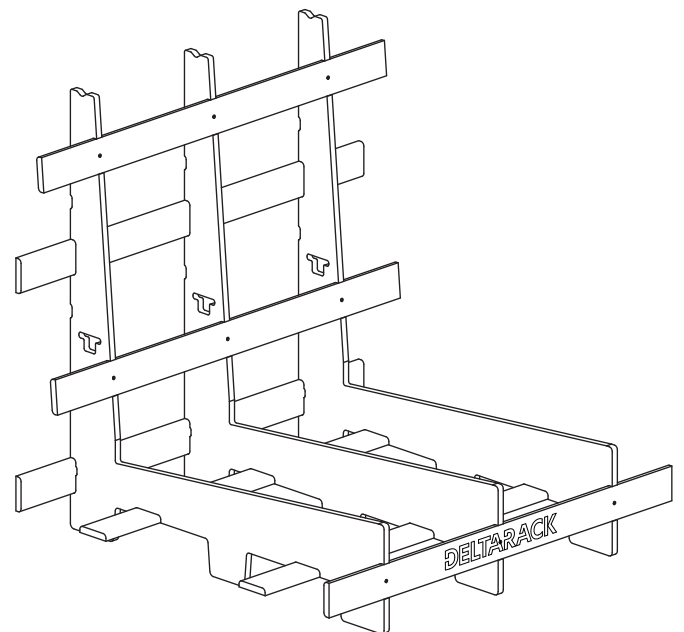


EXTENSIVE USE

WEIGHT: 21 KG

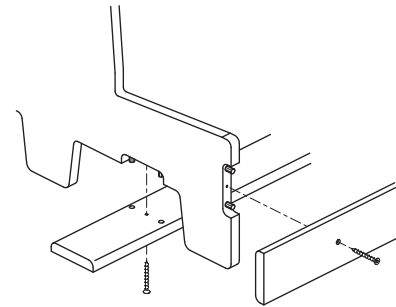
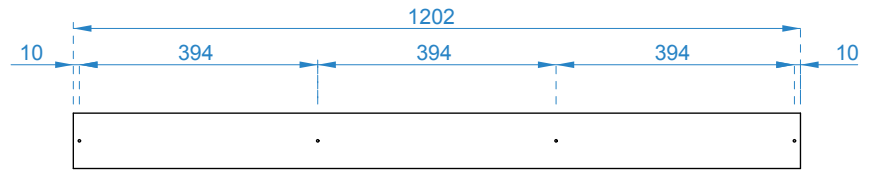
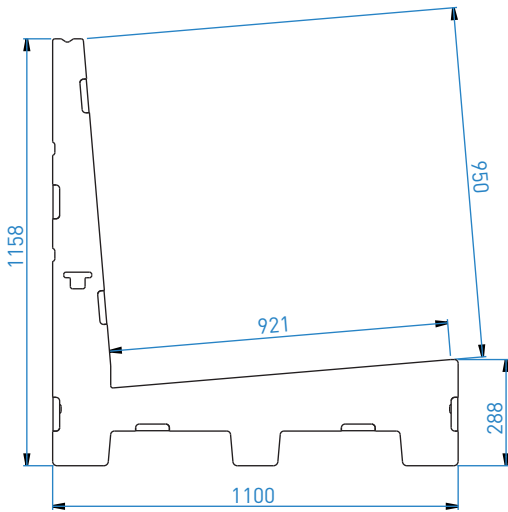


SL110.5.120 / 3 uprights



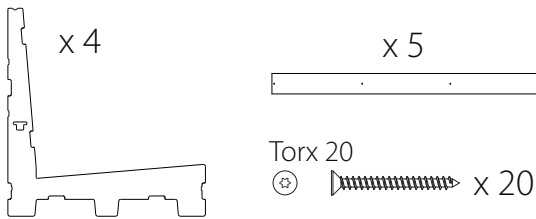
SL110.7.120 / 3 uprights

(*) Load needs to be equally distributed over all vertical uprights of the rack



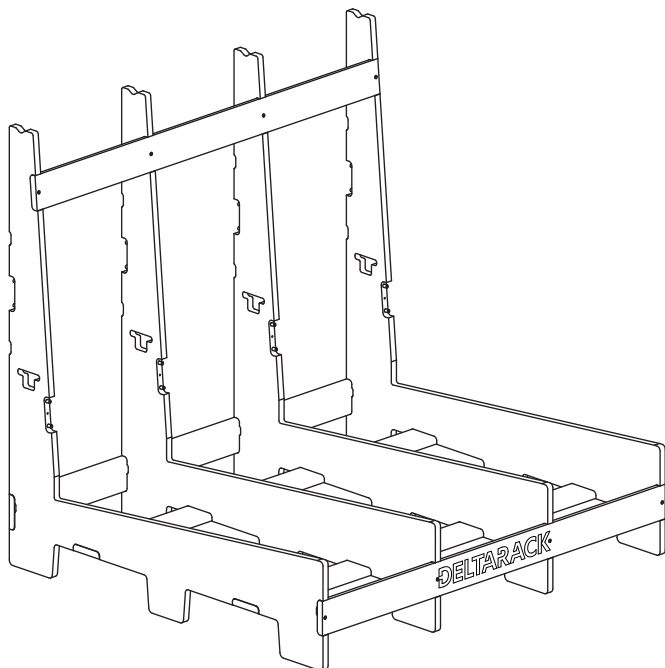
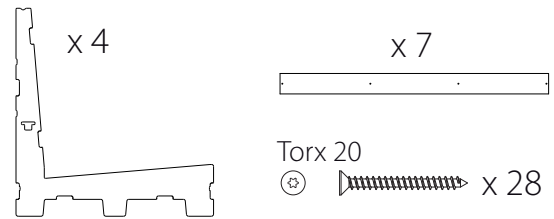
LIMITED USE

WEIGHT: 21 KG

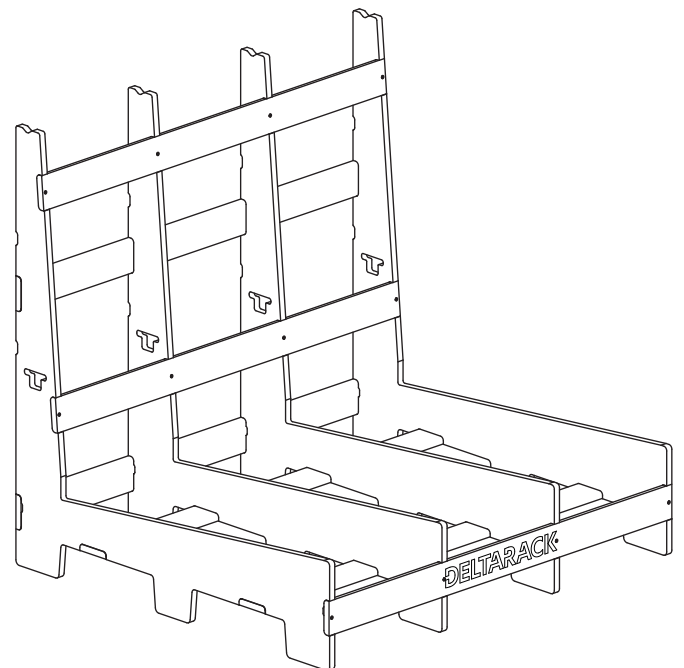


EXTENSIVE USE

WEIGHT: 24 KG



SL110.5.120 / 4 uprights



SL110.7.120 / 4 uprights

(*) Load needs to be equally distributed over all vertical uprights of the rack