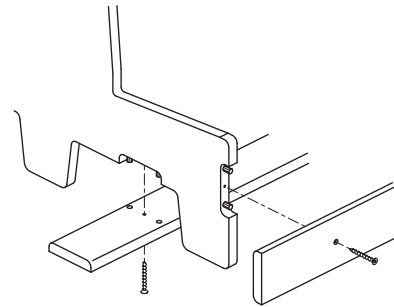
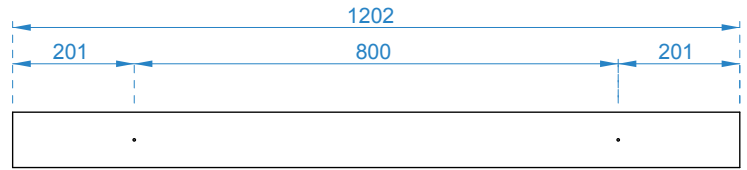
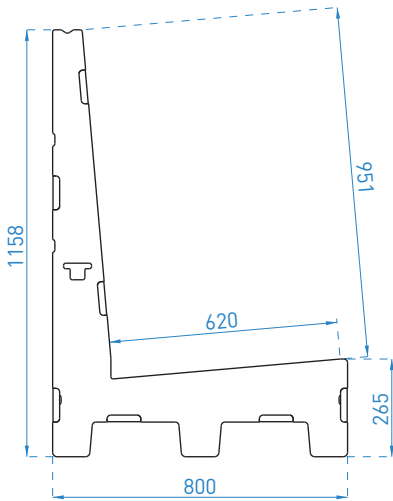


## Assembly Guidelines

**SL80.120/ 2 Uprights**

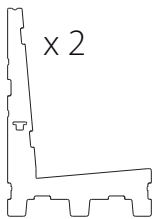
**SL80.120/ 3 Uprights**

**SL80.120/ 4 Uprights**

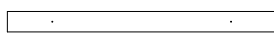


**LIMITED USE**

WEIGHT: 13 KG

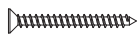


x 2



x 5

Torx 20



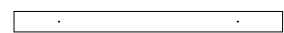
x 10

**EXTENSIVE USE**

WEIGHT: 16 KG

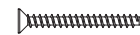


x 2

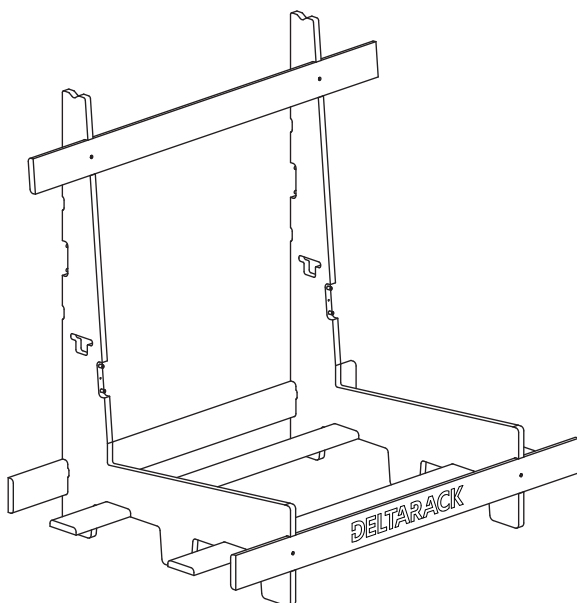


x 7

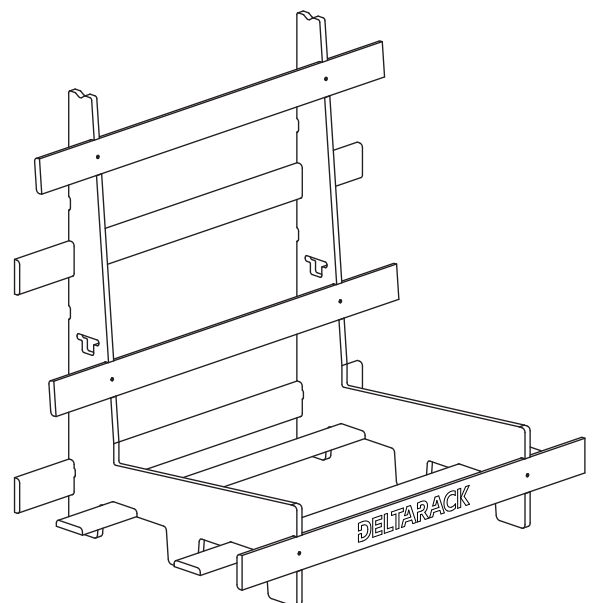
Torx 20



x 14

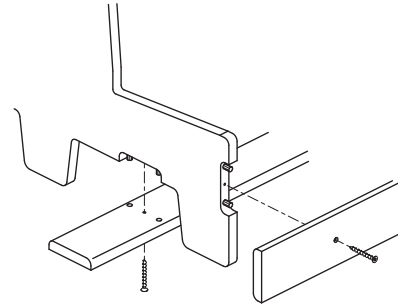
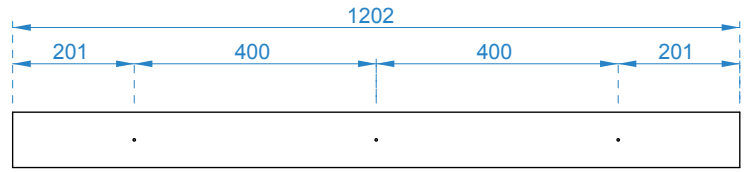
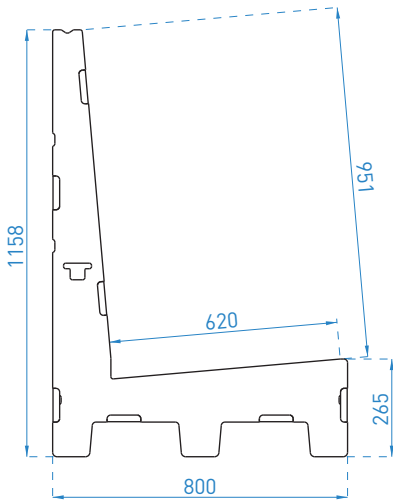


**SL80.5.120 / 2 uprights**



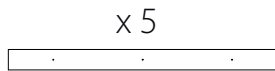
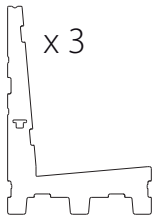
**SL80.7.120 / 2 uprights**

(\* ) Load needs to be equally distributed over all vertical uprights of the rack



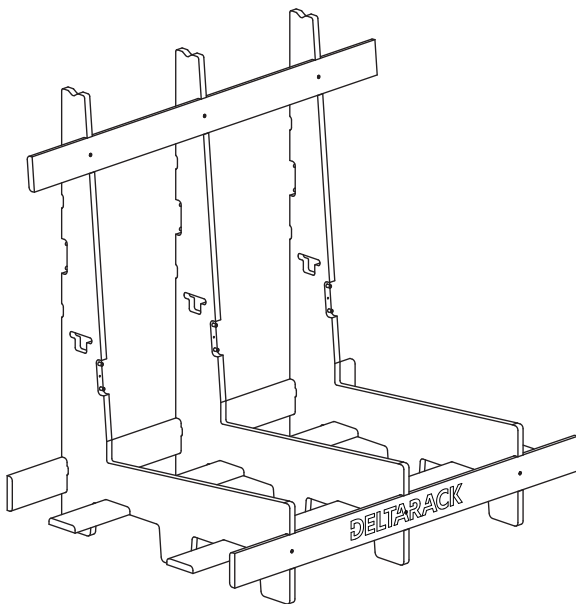
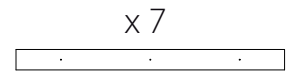
**LIMITED USE**

WEIGHT: 16 KG

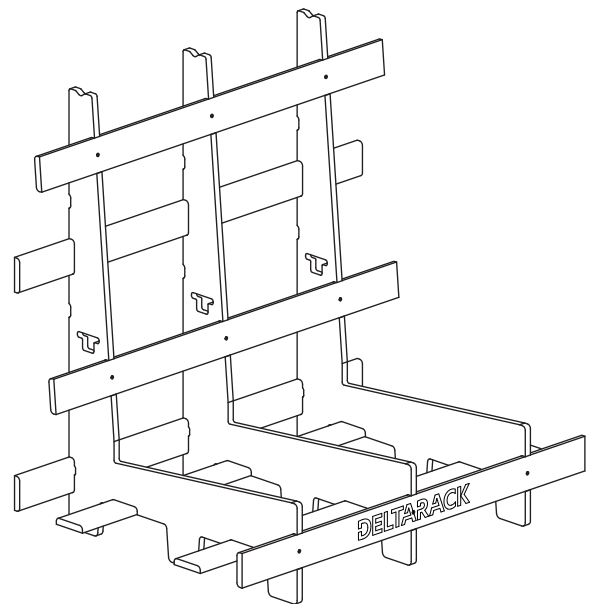


**EXTENSIVE USE**

WEIGHT: 19 KG

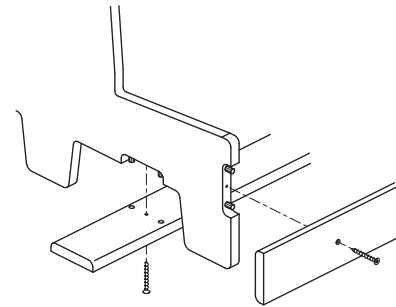
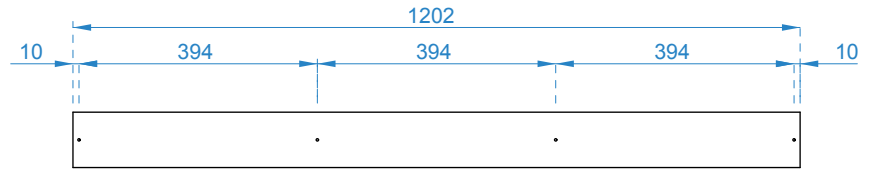
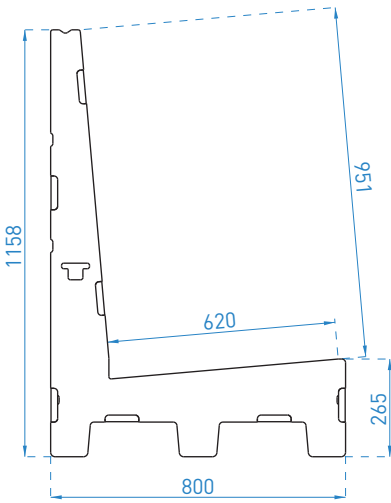


**SL80.5.120 / 3 uprights**



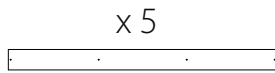
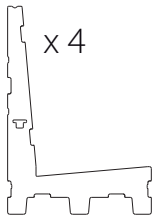
**SL80.7.120 / 3 uprights**

(\*) Load needs to be equally distributed over all vertical uprights of the rack



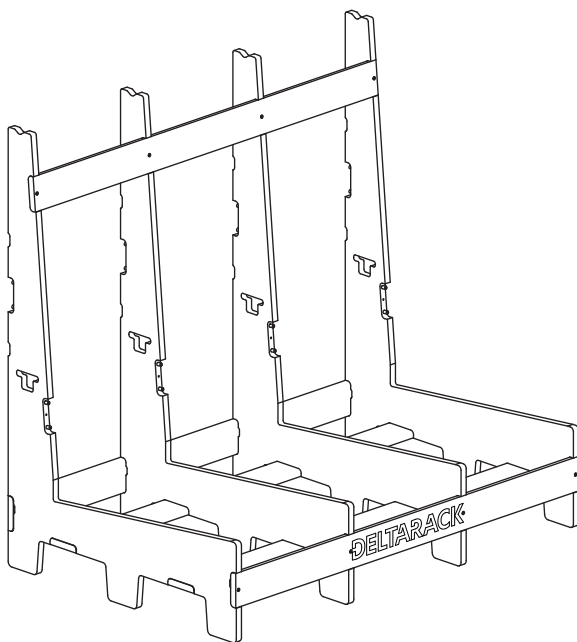
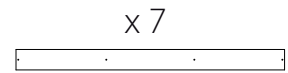
**LIMITED USE**

WEIGHT: 20 KG

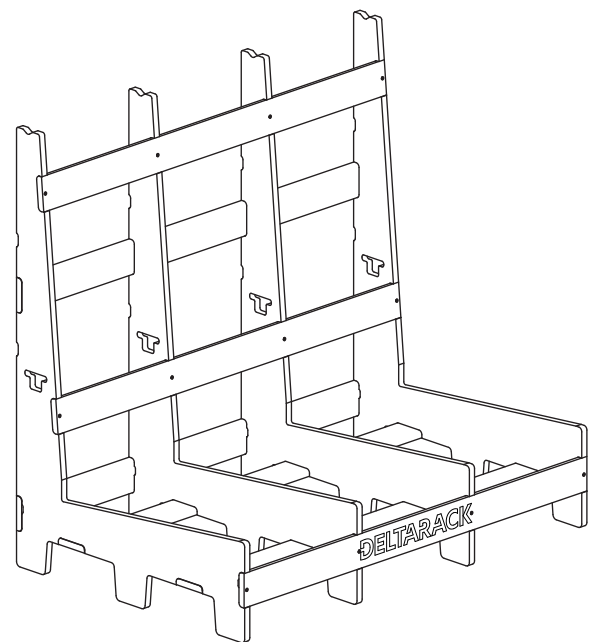


**EXTENSIVE USE**

WEIGHT: 22 KG



**SL80.5.120 / 4 uprights**



**SL80.7.120 / 4 uprights**

(\*) Load needs to be equally distributed over all vertical uprights of the rack