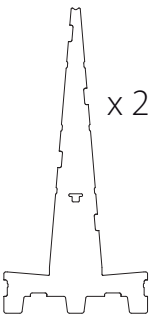
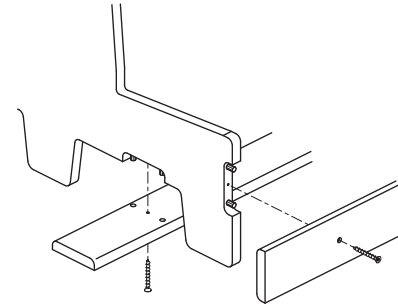
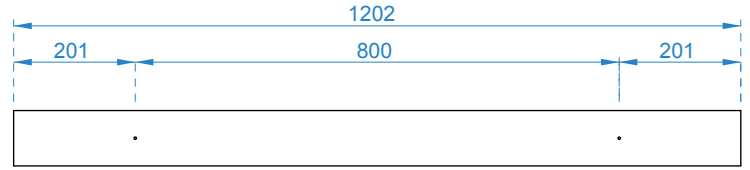
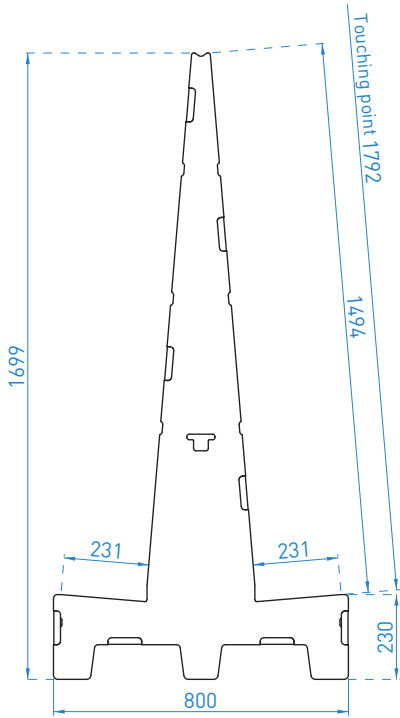


## Assembly Guidelines

**SR80.120/ 2 Uprights**

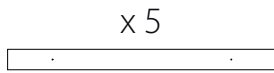
**SR80.120/ 3 Uprights**

**SR80.120/ 4 Uprights**

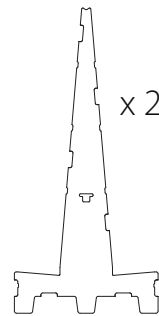


**LIMITED USE**

WEIGHT: 16 KG

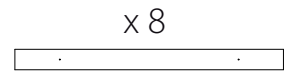


Torx 20  
⊕  x 10

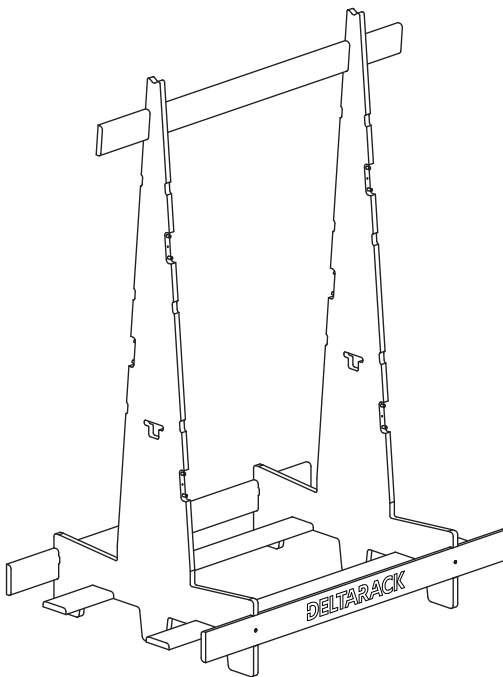


**EXTENSIVE USE**

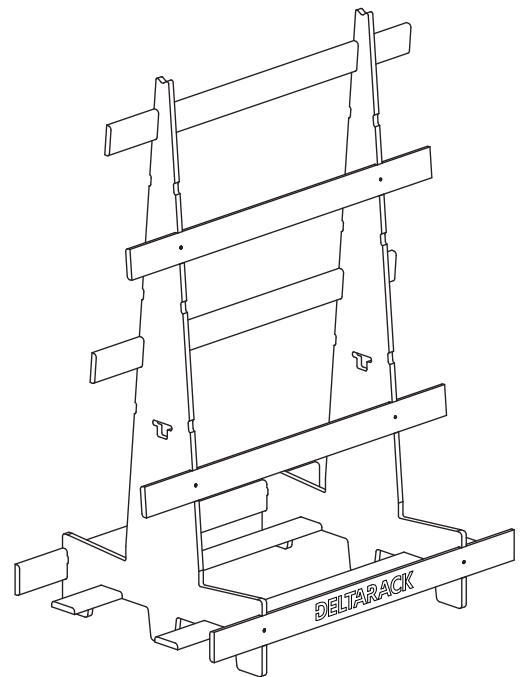
WEIGHT: 20 KG



Torx 20  
⊕  x 16

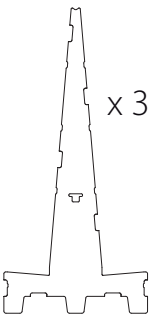
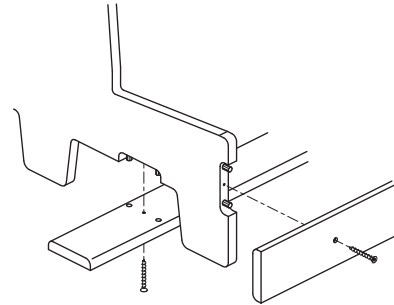
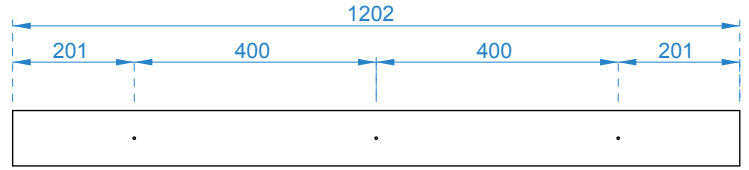
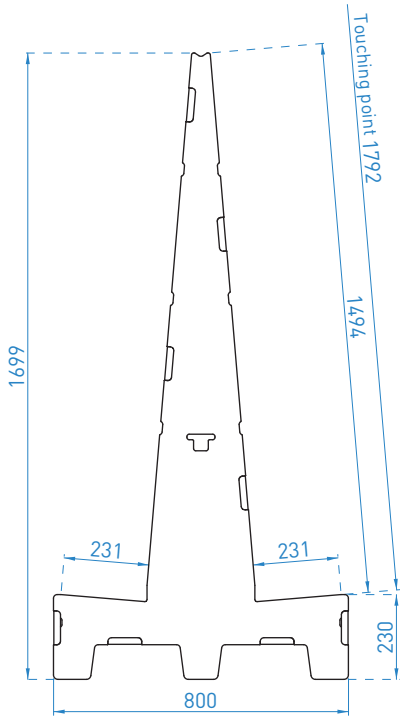


**SR80.5.120 / 2 uprights**



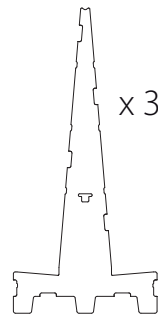
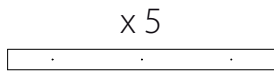
**SG80.8.120 / 2 uprights**

(\*) Load needs to be equally distributed over all vertical uprights of the rack



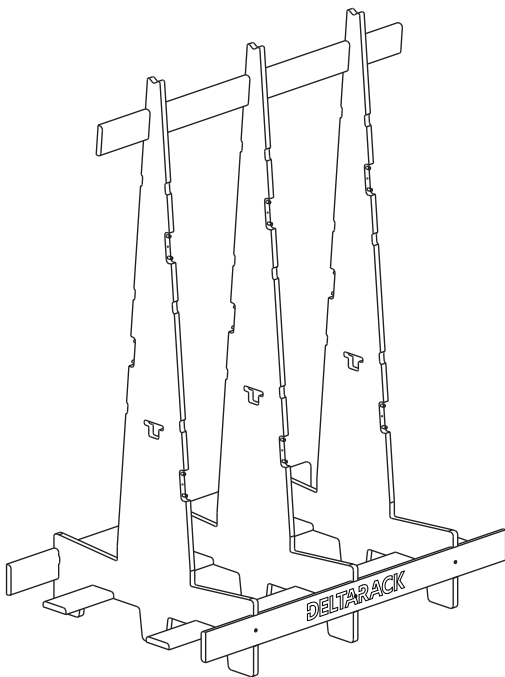
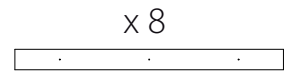
**LIMITED USE**

WEIGHT: 21 KG

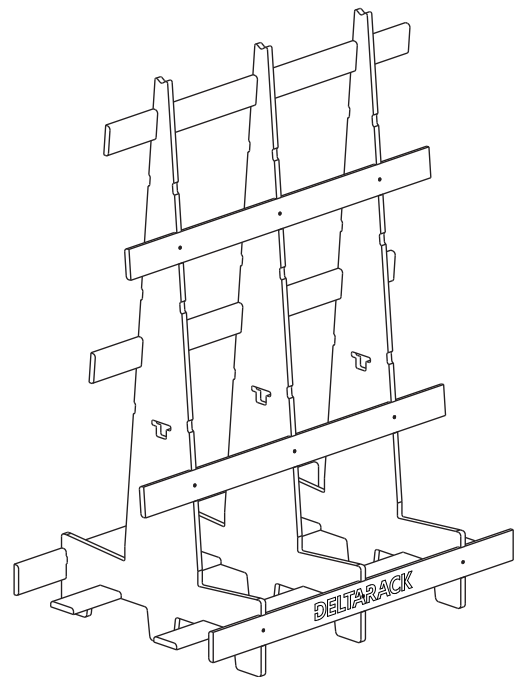


**EXTENSIVE USE**

WEIGHT: 25 KG

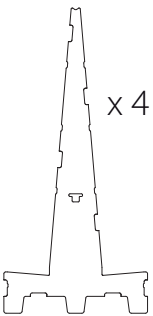
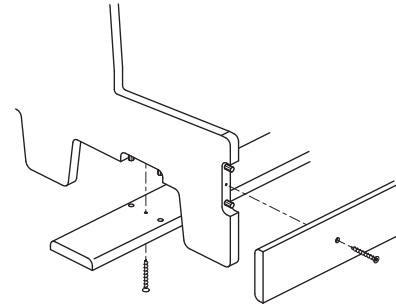
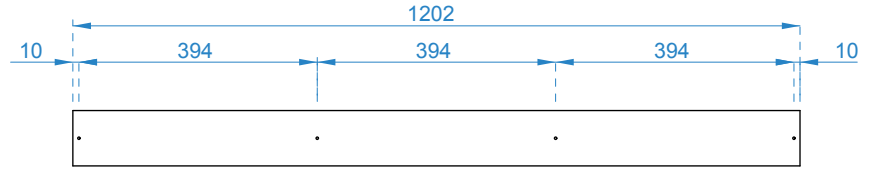
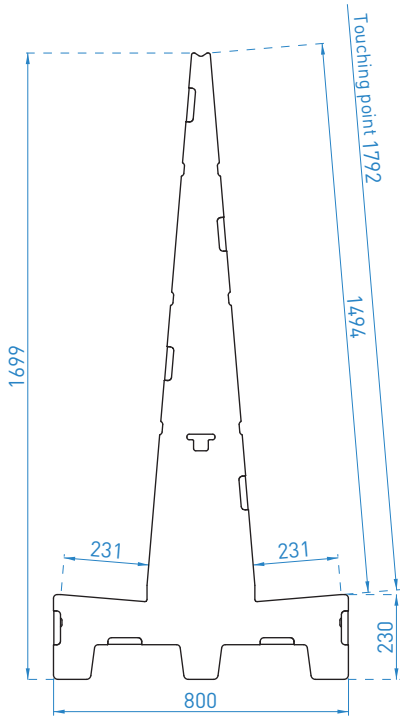


**SR80.5.120 / 3 uprights**



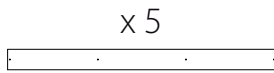
**SG80.8.120 / 3 uprights**

(\*) Load needs to be equally distributed over all vertical uprights of the rack

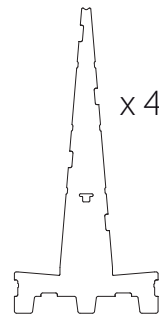


**LIMITED USE**

WEIGHT: 26 KG

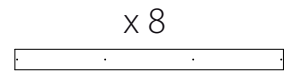


Torx 20  
⊕ x 20

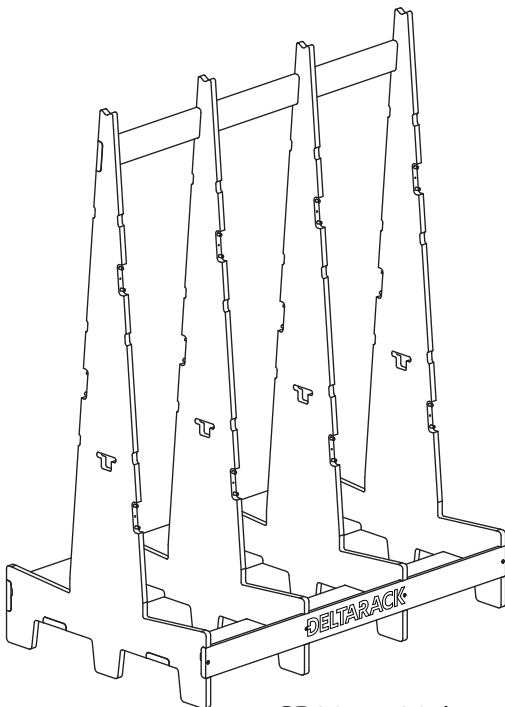


**EXTENSIVE USE**

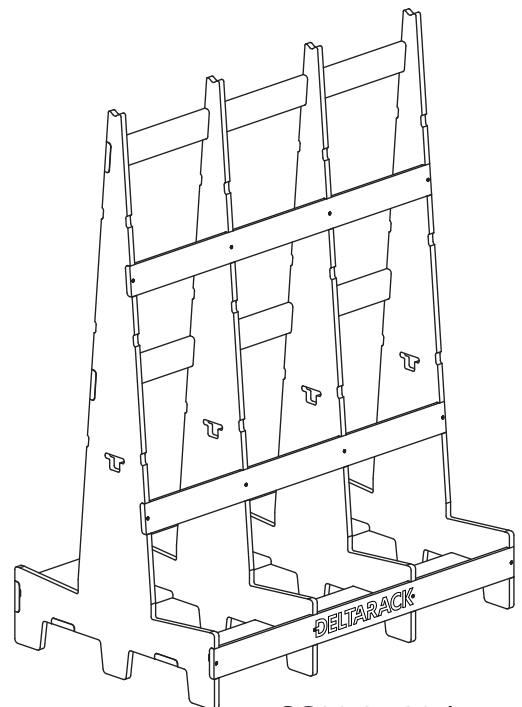
WEIGHT: 30 KG



Torx 20  
⊕ x 32



**SR80.5.120 / 4 uprights**



**SG80.8.120 / 4 uprights**

(\*) Load needs to be equally distributed over all vertical uprights of the rack