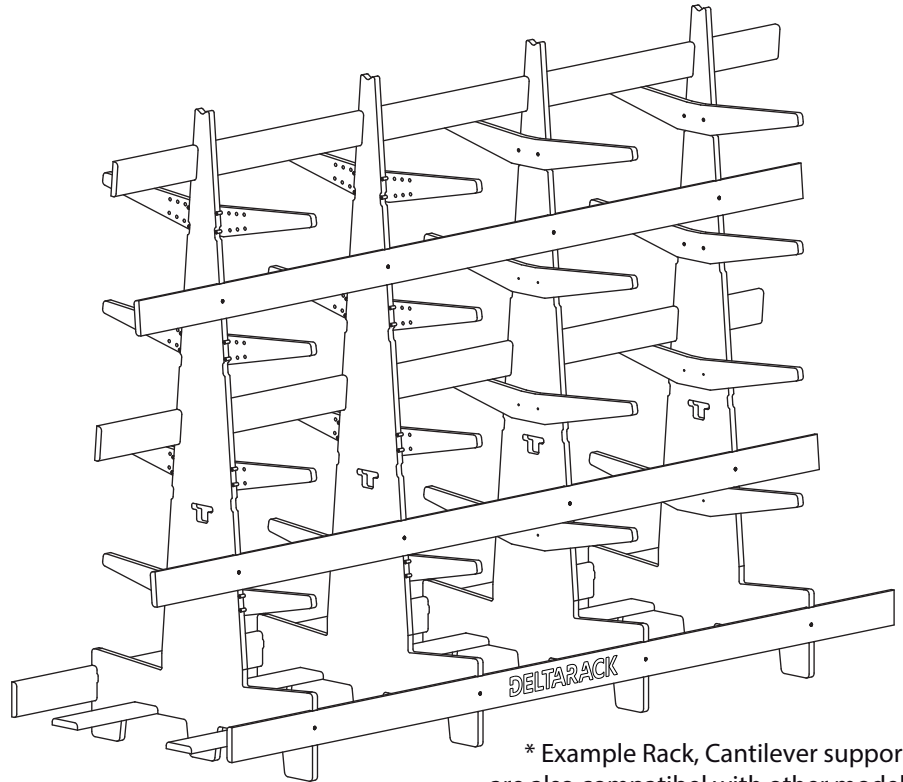
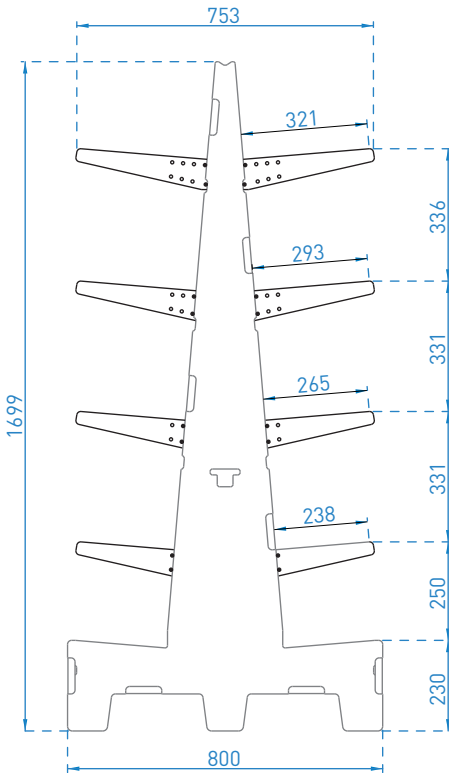
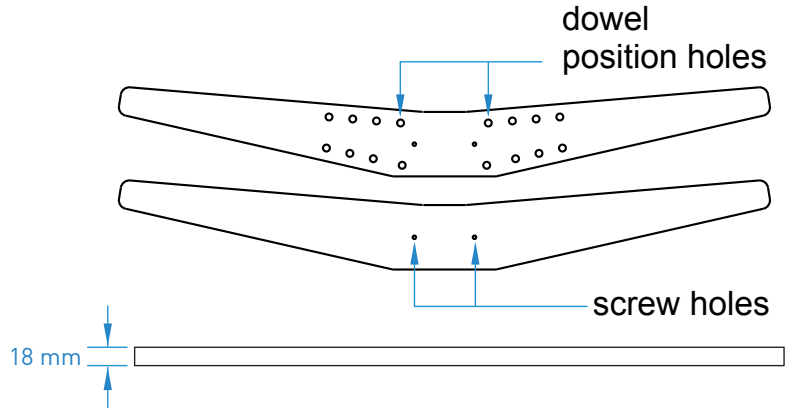
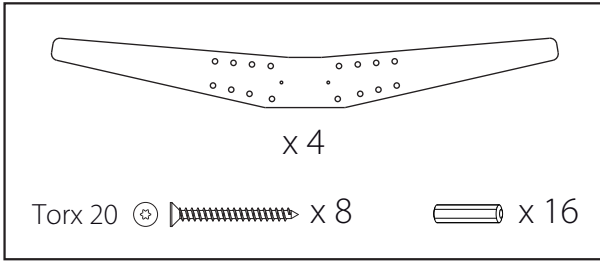
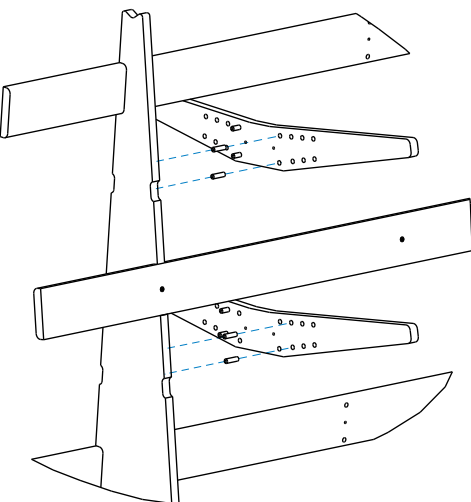


Table of contents:



* Example Rack, Cantilever supports are also compatible with other models.
Example Rack equipped with 4 sets of 4 Cantilever supports.



1

Determine the position of the Cantilever on the vertical upright of your rack based on the position holes.
Insert 4 dowels into the specific holes.

2

Position the Cantilever on the vertical upright.

3

Fix the Cantilever to the vertical upright with the dedicated screws.

