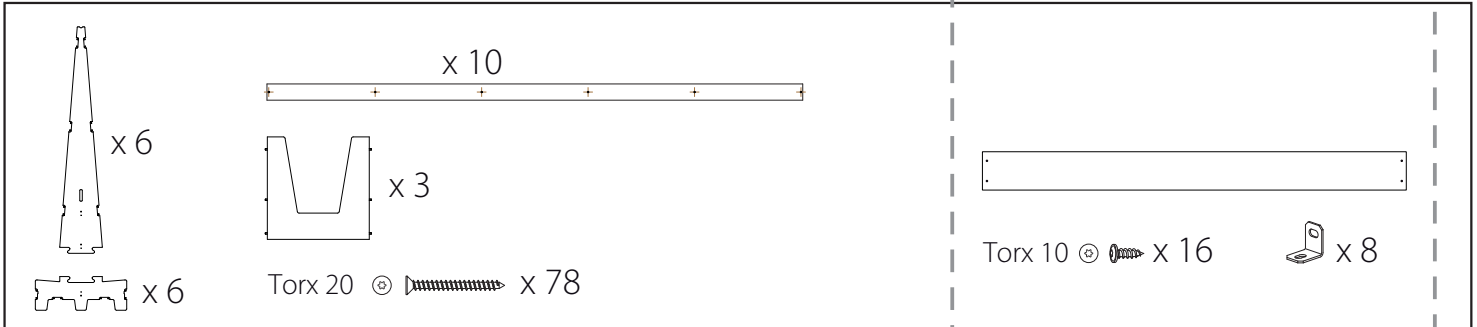


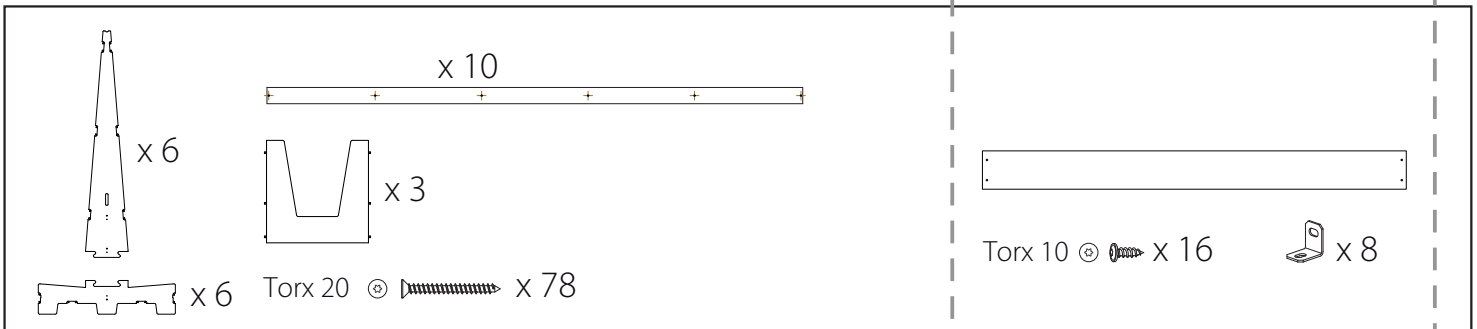
(Wheel set see separate manual)

Table of contents:

**TA80.300 / 6 uprights**

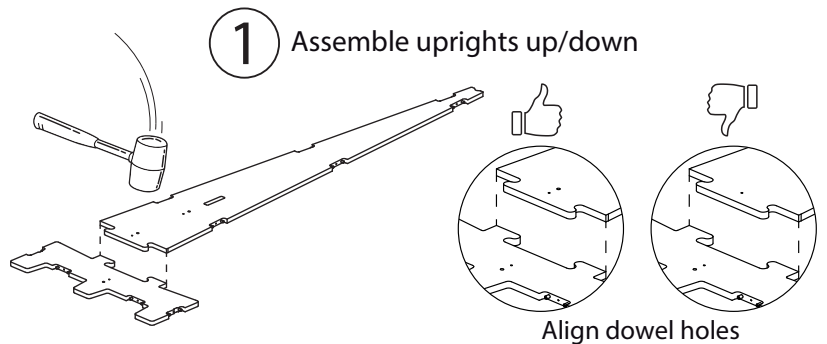


**TA120.300 / 6 uprights**

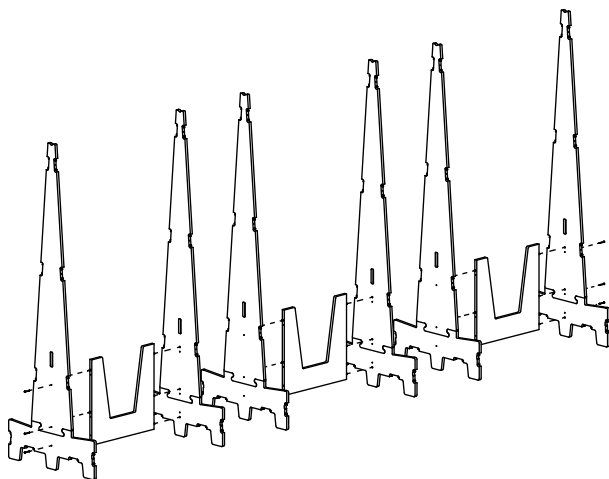


Assembly instructions:

- No Baseboard: Step ① ② ③ ⑦ ⑧
- Baseboard: Step ① ② ③ ⑤ ⑥ ⑦ ⑧
- Optional MSC Safety clamp: Step ④

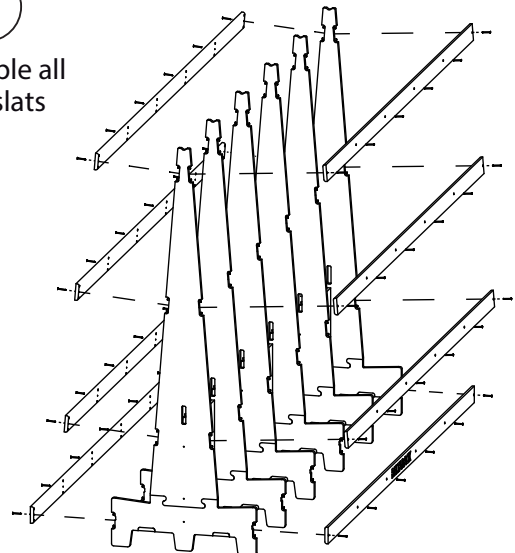


② Position of the **middle** pieces

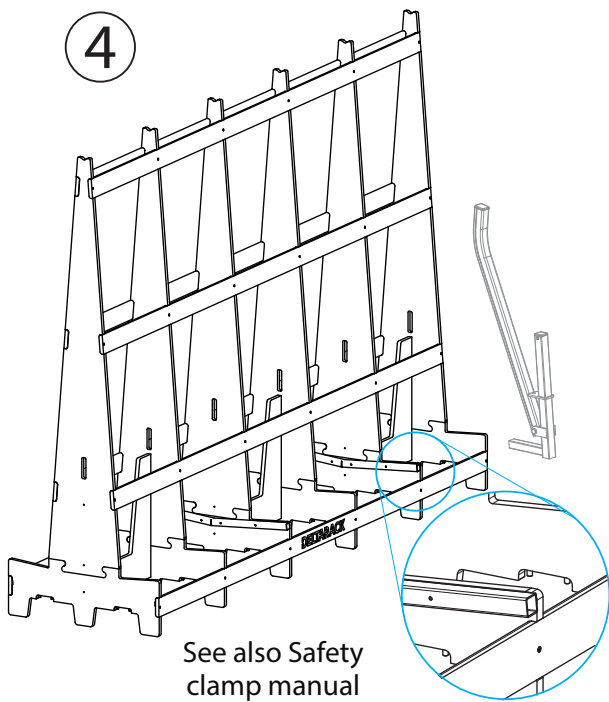


③

Assemble all **side** slats



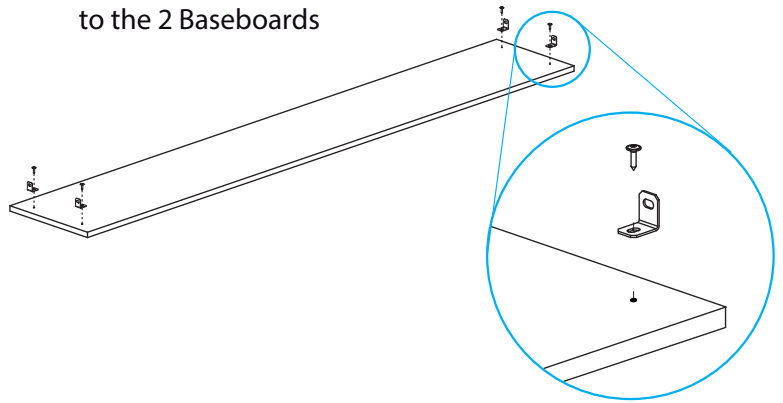
4



See also Safety clamp manual

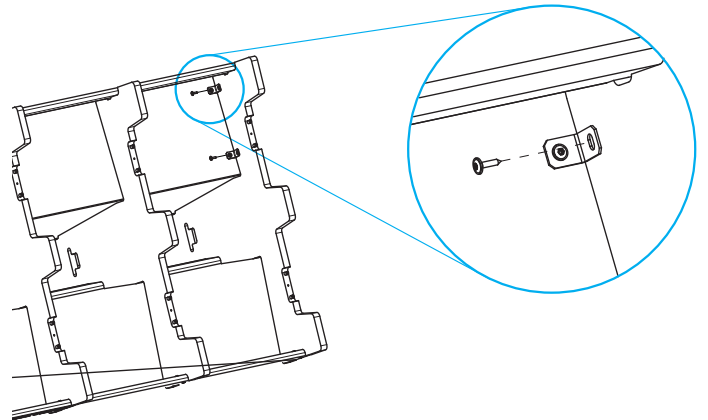
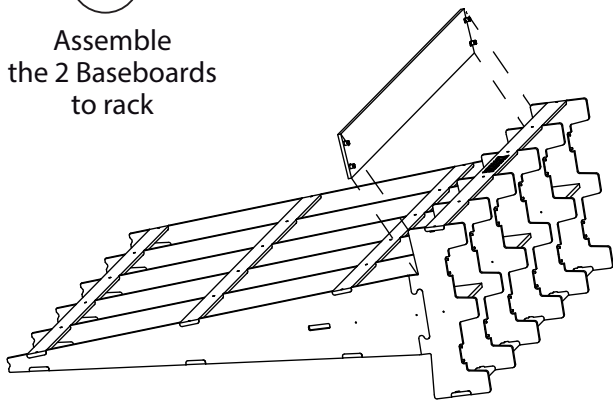
5

Assemble hooks to the 2 Baseboards



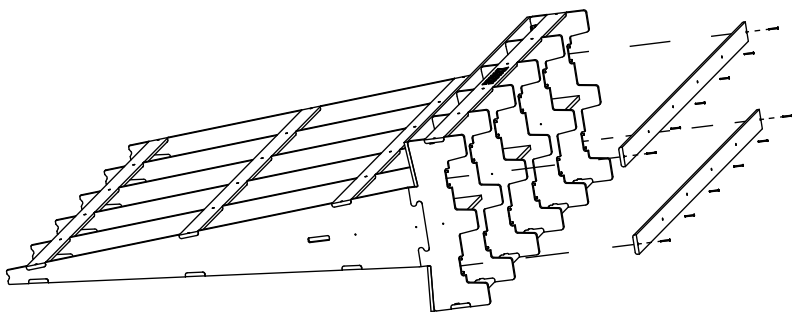
6

Assemble the 2 Baseboards to rack



7

Add bottom slats



8

Base rack completed

